

HINKLEY

52" TROPIC AIR™

INDOOR / OUTDOOR FAN



WET



DC MOTOR



LISTED

CEILING FAN OWNERS MANUAL

WE WANT YOU TO LOVE YOUR NEW FAN

SO WE'RE HERE IF YOU HAVE A QUESTION, NEED SOME HELP OR WANT TO CHAT ABOUT OUR PRODUCTS. SEND SUGGESTIONS OUR WAY TOO—WE'RE ALWAYS LOOKING TO MAKE YOUR EXPERIENCE WITH HINKLEY A POSITIVE ONE.

> SERVICE@HINKLEY.COM

> [800.HINKLEY](tel:800.HINKLEY)

> [LET'S SEE THAT HINKLEY STYLE @HINKLEY](#)
[#HINKLEYSSTYLE](#)

This manual contains complete instructions for the installation and operation of this fan. It has been designed to make the installation process as easy as possible. If you are unfamiliar or uncomfortable with wiring, please contact a qualified electrician. If you need additional assistance or have any questions, please reach out to us.

For warranty information, visit hinkley.com.

TABLE OF CONTENTS

| | | | |
|----|---|----|--|
| 02 | GENERAL INSTALLATION & OPERATING INSTRUCTIONS | 10 | BLADE ATTACHMENT |
| 03 | IMPORTANT SAFETY PRECAUTIONS | 11 | INSTALLATION OF REMOVABLE SWITCH HOUSING |
| 03 | TOOLS & MATERIALS REQUIRED | 12 | OPERATION |
| 04 | UNPACKING YOUR FAN | 13 | CARE AND CLEANING |
| 05 | PREPARATION | 13 | TROUBLESHOOTING |
| 05 | INSTALLING THE HANGING BRACKET | 14 | ENERGY GUIDE |
| 06 | HANGING THE FAN | 14 | SPECIFICATIONS |
| 08 | ELECTRICAL CONNECTIONS | 14 | SMART BY BOND |
| 09 | FINISHING THE INSTALLATION | | |

NOTE: Limit one fan per power circuit.

WARNING:

Read and follow these instructions carefully and be mindful of all warnings shown throughout.

GENERAL INSTALLATION & OPERATION INSTRUCTIONS

- 1 To ensure the success of the installation, be sure to read the instructions and review the diagrams thoroughly before beginning.
- 2 To avoid possible electric shock, be sure electricity is turned off at the main power box before wiring. All electrical connections must be made in accordance with local codes, ordinances and/or the National Electric Code. If you are unfamiliar with the methods of installing electrical wiring and products, secure the services of a qualified and licensed electrician as well as someone who can check the strength of the supportive ceiling members and make the proper installation(s) and connections.
- 3 **WARNING:** To reduce the risk of fire, electric shock, or other personal injury, mount fan only on an outlet box or supporting system marked acceptable for fan support of 35 lbs (15.9 kg) or less and use mounting screws provided with the outlet box. Most outlet boxes commonly used for the support of lighting fixtures are not acceptable for fan support and may need to be replaced. Consult a qualified electrician if in doubt.
- 4 Make sure that your installation site will not allow rotating fan blades to come in contact with any object. Blades should be at least 7 feet from floor.
- 5 Blades should be attached after motor housing is hung and in place. Fan motor housing should be kept in the carton until ready to be installed to protect its finish. If you are installing more than one ceiling fan, make sure that you do not mix fan blade sets, as each blade is part of a weighted set.
- 6 After making electrical connections, spliced conductors should be turned upward and pushed carefully up into outlet box. The wires should be spread apart with the common conductor and the grounding conductor on one side of the outlet box, and the "HOT" wires on the other side.
- 7 Electrical diagrams are for reference only. Light kits that are not packed with the fan must be UL listed and should be installed per the light kit's installation instructions.
- 8 After fan is completely installed, check to make sure that all connections are secure to prevent fan from falling and/or causing damage or injury.
- 9 The fan can be made to work immediately after installation - the bearings are adequately charged with grease so that, under normal conditions, further lubrication should not be necessary for the life of the fan.
- 10 To operate the reverse function on this fan, press the reverse button while the fan is running.

NOTE: Limit one fan per power circuit.

IMPORTANT SAFETY PRECAUTIONS

WARNINGS:

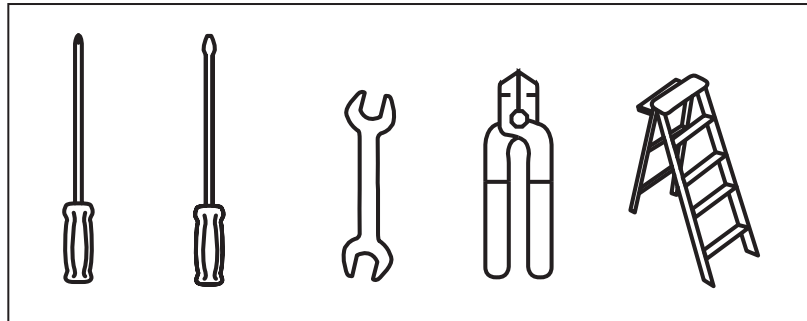
- Disconnect power by removing fuse or turning off circuit breaker before installing the fan and/or optional lighting.
- Support directly from building structure.
- To reduce the risk of fire, electric shock, or personal injury, mount to outlet box marked "acceptable for fan support" and use mounting screws provided with the outlet box. Most outlet boxes commonly used for the support of lighting fixtures are not acceptable for fan support and may need to be replaced. Consult a qualified electrician if in doubt.
- Do not use an incandescent light dimmer. Do not use this fan with any transformer type fan speed control device.
- To reduce the risk of personal injury, do not bend the blade arms when installing them, balancing the blades or cleaning the fan. Do not insert any objects(s) between rotating fan blades.

NOTE:

The important precautions, safeguards and instructions appearing in this manual are not meant to cover all possible conditions and situations that may occur. It must be understood that common sense, caution and carefulness are factors which cannot be built into this product. These factors must be supplied by the person(s) installing, caring for and operating the unit.

TOOLS & MATERIALS REQUIRED

- PHILLIPS SCREWDRIVER
- FLAT SCREWDRIVER
- WRENCH OR PLIERS
- WIRE CUTTER
- STEPLADDER
- WIRING SUPPLIES AS REQUIRED BY ELECTRICAL CODE



UNPACKING YOUR FAN

UNPACK YOUR FAN AND CHECK THE CONTENTS.

- Do not discard the carton. If warranty replacement or repair is ever necessary, the fan should be returned in original packing. Remove all parts and hardware. Do not lay motor housing on its side, or the decorative housing may shift, be bent or damaged.
- Examine all parts. You should have the following:

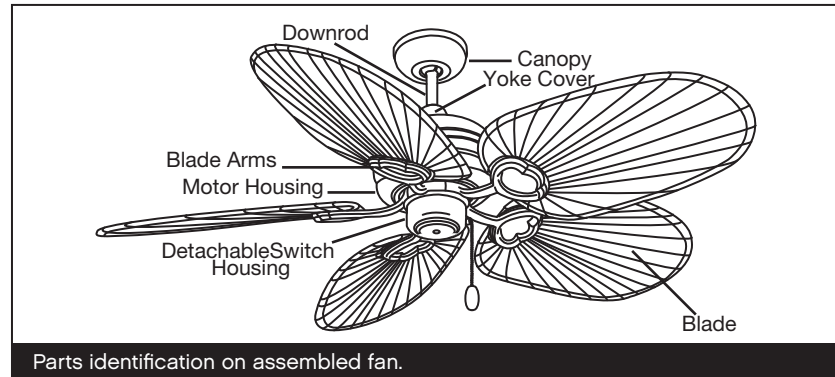
| | | | |
|--|---|---|-----------------|
| | TROPIC AIR PACKAGE CONTENT | | |
| | 1 | Blade Set of 5 | BL901952Fxx |
| | 2 | Hanging Bracket | CA901952Fxx |
| | 3 | Ceiling Canopy and Trim Ring | |
| | 4 | Ball Moisture Cover | In Hardware bag |
| | 5 | Downrod/Ball Assembly | DR94016Fxx |
| | 6 | Yoke Cover | YC901952Fxx |
| | 7 | Fan Housing with Motor *Remove rubber shipping supports around motor, if included on your fan. Save screws | X |
| | 8 | Mounting plate | X |
| | 9 | Detachable Switch housing | SWH901952Fxx |
| | 10 | Blade Arm Set of 5 | BLI901952Fxx |
| 11 | Hardware Bag | | |
| | Pull Chain with Fob, Bracket Mounting Hardware (wood screws, screws, lock washers, washers, wire nuts), Blade to Blade Arm Screws and Rubber Washers, Balance Kit | MH901952Fxx | |
| NOTE: Design of parts shown above may look slightly different for your specific model of fan. | | | |
| XX=FAN FINISH | | | |

PREPARATION

PREPARATION:

Verify you have all parts before beginning the installation. Check foam insert closely for missing parts. Remove motor from packing. To avoid damage to finish, assemble motor on soft padded surface or use the original foam inset in motor box.

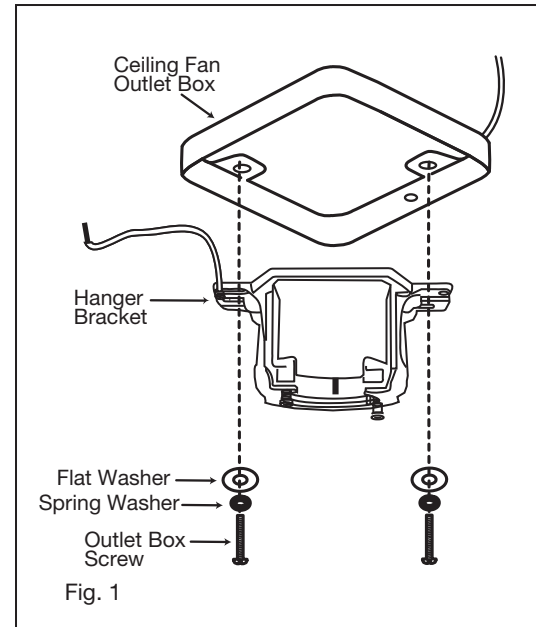
DO NOT LAY MOTOR HOUSING ON ITS SIDE AS THIS COULD RESULT IN SHIFTING OF MOTOR IN DECORATIVE ENCLOSURE.



INSTALLING THE HANGING BRACKET

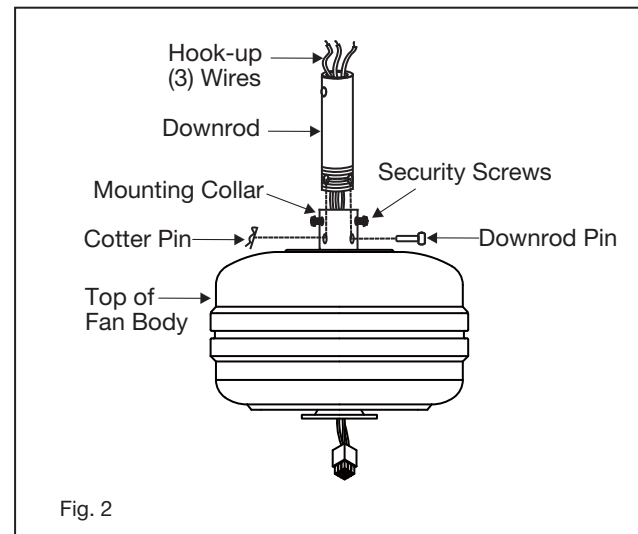
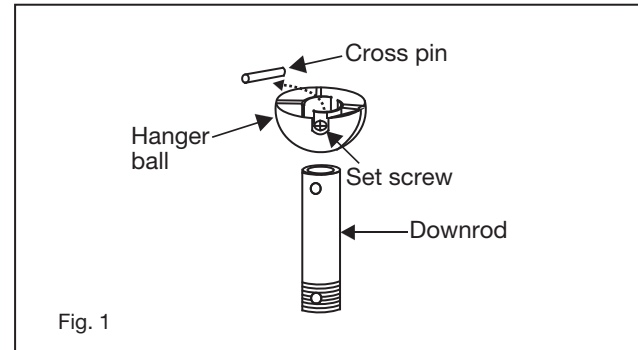
CAUTION: To avoid possible electrical shock, be sure electricity is turned off at the main power box before wiring. All wiring must be in accordance with National and Local Electrical Codes and the ceiling fan must be grounded as a precaution against possible electric shock.

- 1 Locate ceiling joist where fan is to be mounted, being sure location agrees with the requirements in the minimum clearance section of this guide. Wood joists must be sound and of adequate size to support 35 pounds (See page 2, items 3 and 4).
- 2 If not already present, mount a UL listed outlet box marked "suitable for fan support" following the instructions provided with the outlet box. The outlet box must be able to support a minimum of 35 pounds.
- 3 Remove canopy from hanger bracket. Remove twist-lock trim ring by rotating counter-clockwise. Remove canopy screw that does not have key slot in canopy. Loosen screw with key slot and remove canopy.
- 4 Attach hanging bracket to outlet box using screws provided with the outlet box.



HANGING THE FAN

- 1 Remove ball from downrod by loosening set screw in the side of the ball. Slide ball down and remove ball pin; remove ball. (Fig. 1)
- 2 Carefully support fan body (motor) in its styrofoam packing with the mounting collar (where the wires come out) facing upward.
- 3 Loosen the two set screws and remove the hitch pin and retaining clip from the coupling on top of the motor assembly. (Fig. 2)
- 4 Carefully feed the electrical lead wires from the fan up through the downrod. Insert downrod pin through holes in mounting collar and downrod; slip cotter pin through small hole in end of downrod pin to hold downrod in place.
- 5 Tighten security screws against downrod using a large flat blade screwdriver to ensure a tight fit against downrod. Tighten nuts against mounting collar.



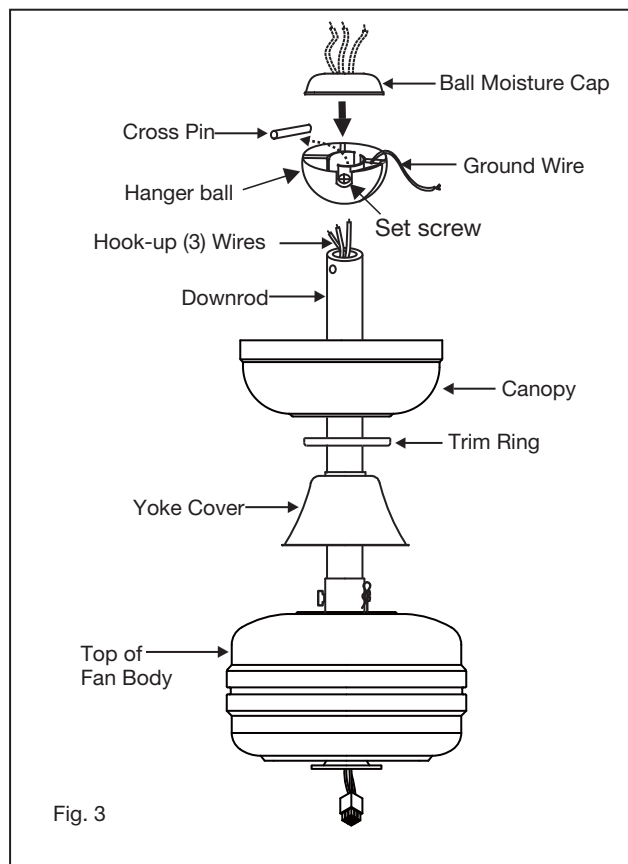
REMEMBER to turn off the power before you begin.

To properly install your ceiling fan, follow the steps below.

- 6 Slip the yoke cover, trim ring and canopy onto the downrod. (Fig. 3)
- 7 Slide the hanger ball onto the downrod, insert the cross pin through the downrod and tighten. Tighten the set screw.
- 8 Feed wires through holes in rubber ball moisture cap and slide cap down over top of ball. (Fig. 3)
- 9 Lift ball/downrod/fan into hanger bracket opening.
NOTE: The tab opposite hanger bracket opening should fit in slot on ball. (Fig. 4)

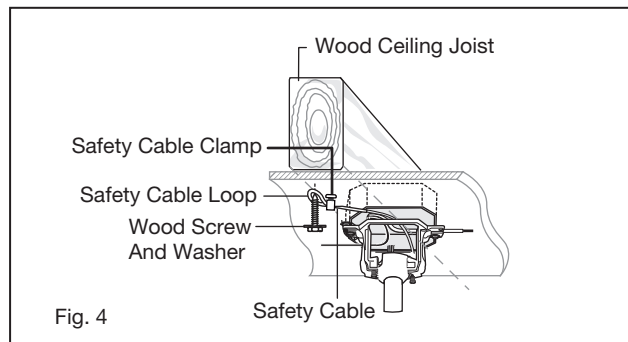
NOTE:

6 feet of lead wire is supplied on the fan for use with longer downrods.



INSTALLATION OF SAFETY CABLE SUPPORT

Attach the wood screw and the flat washer to the ceiling joist as shown (do not fully tighten). Slide the cable clamp onto the safety cable from the fan. Loop the safety cable around the wood screw that was just attached to ceiling joist. Feed the end of the cable into the clamp and pull as much cable through as possible. Firmly tighten screw in the clamp. Cut off excess cable.



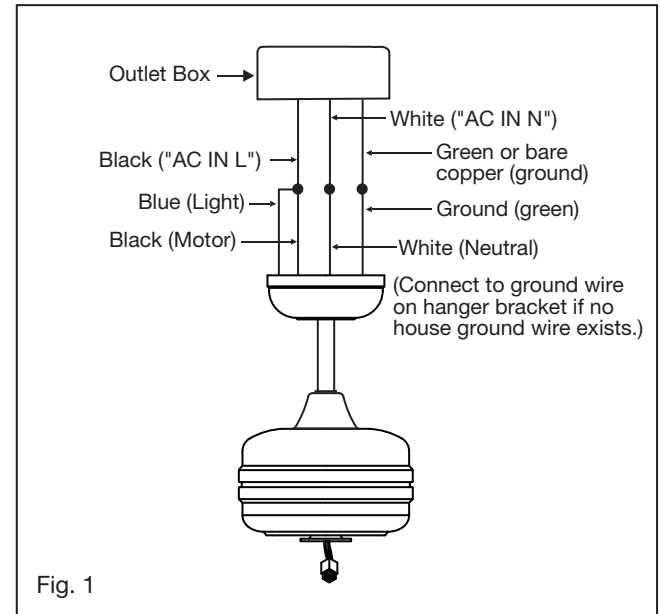
ELECTRICAL CONNECTIONS

NOTE: One fan per power circuit.

WARNING:

To avoid possible electrical shock, be sure electricity is turned off at the main fuse or breaker box before wiring.

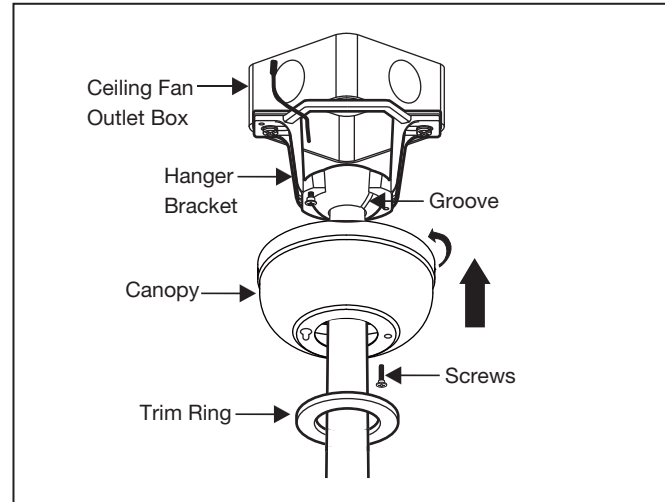
- 1 Connect the fan supply (black) and light (blue) wires to the black household supply wire as shown in Figure 1
- 2 Connect the neutral fan (white) wire to the white neutral household wire (Figure 1).
- 3 After all splices are made, check to make sure there are no loose strands. As an additional precaution we suggest to secure the plastic wire connectors to the wires with electrical tape.



FINISHING THE INSTALLATION

- 1 Tuck connections neatly into ceiling outlet box.
- 2 Slide the canopy up to mounting bracket and place the key hole on the canopy over the screw on the mounting bracket, turn canopy until it locks in place at the narrow section of the key holes.
- 3 Align the circular hole on canopy with the remaining hole on the mounting bracket, secure by tightening the two set screws.

NOTE: Adjust the canopy screws as necessary until the canopy and trim ring are snug.



WARNING:

Make sure the hook on the hanging bracket properly sits in the groove in the hanger ball before attaching the canopy to the bracket by turning the housing until it drops into place.

BLADE ATTACHMENT

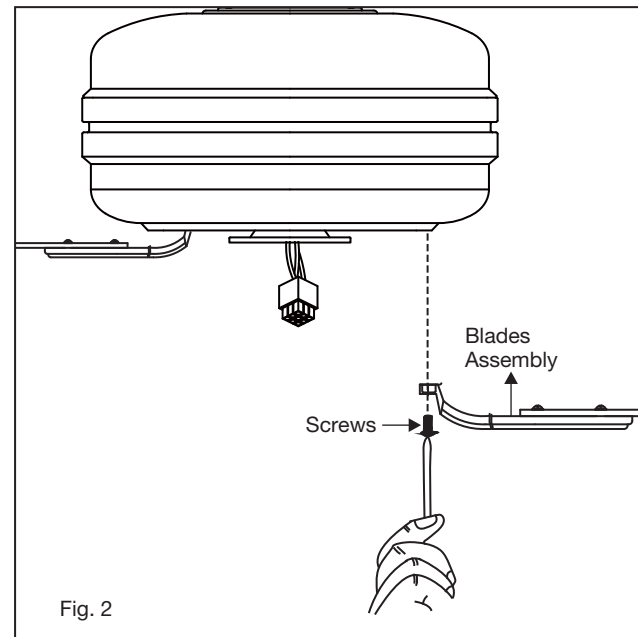
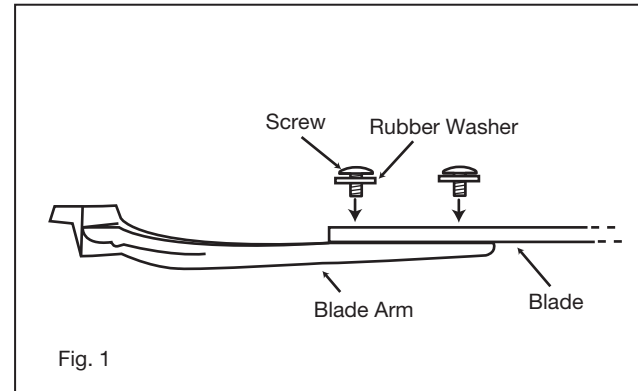
NOTE: One fan per power circuit.

WARNING: The fan motor assembly is shipped with rubber packing mounts to prevent movement during transportation. Remove the five rubber packing mounts from the fan motor assembly and discard prior to attaching the blade arms.

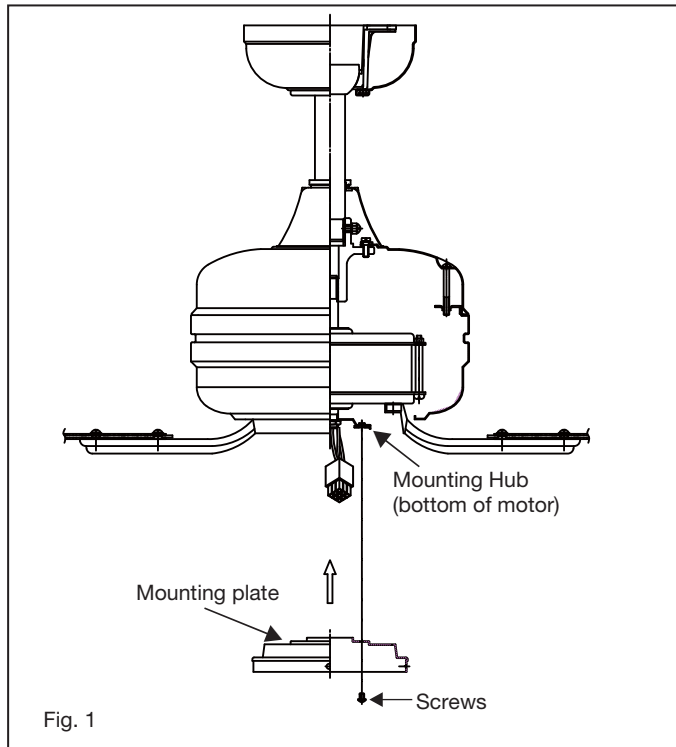
- 1 Place rubber washer on screw. Insert this assembly through the blade and start the screw into the blade arm. Repeat this procedure without tightening the screw until all 3 screws have been started into the blade arm (Fig. 1).
- 2 Tighten each screw starting with center screw.
- 3 Fasten blade assembly to motor with provided screws and lock lockwashers. Repeat procedure for remaining blades (Fig. 2). Make sure screws are TIGHT! Loose motor screws can contribute to unnecessary hum during operation.

NOTE:

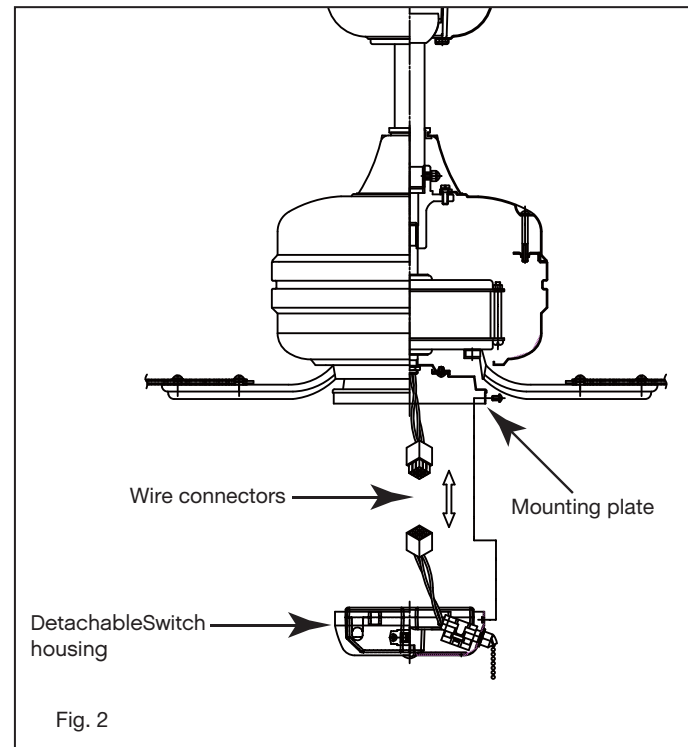
Cordless power screwdrivers are **NOT** recommended, as they usually strip the heads of the screws and usually will not fully compress the lock washers on the motor screws. Use a large flat blade screwdriver for final tightening to fully compress the washers. This will help ensure proper alignment of the blades and noise-free, wobble-free running.



INSTALLATION OF REMOVABLE SWITCH HOUSING



- 1 Remove the 1 of 3 screws from the mounting hub and keep it for future use. Loosen the other 2 screws. (Do not remove)
- 2 Place the key holes on the mounting plate over the 2 screws previously loosened from the mounting hub, turn mounting plate until it locks in place at the narrow section of the key holes. Secure by tightening the 2 screws previously loosened and the one previously removed. (Figure 1)



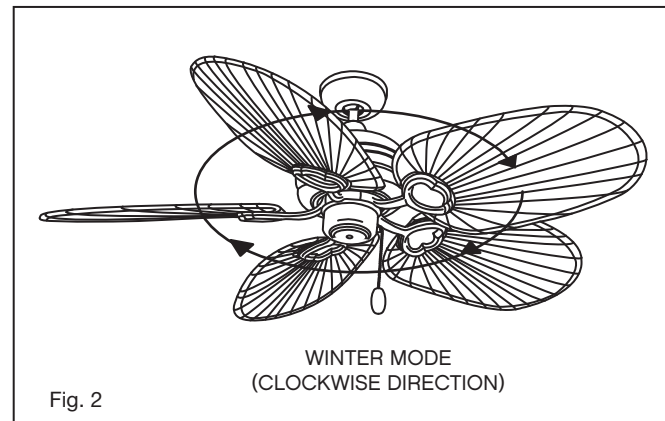
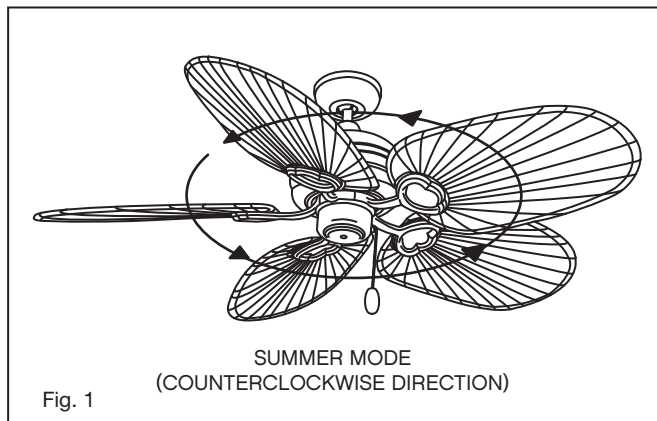
- 1 Remove the 1 of 3 screws from the mounting plate and loosen the other 2 screws. (Do not remove)
- 2 Raise and hold the DetachableSwitch housing close to the mounting plate and push the square wire connectors together. (Fig. 2)
- 3 Place the key holes on the DetachableSwitch housing over the 2 screws previously loosened from the mounting plate, turn light kit until it locks in place at the narrow section of the key holes. Secure by tightening the 2 screws previously loosened and the one previously removed. (Fig. 2)

OPERATION

- 1 Turn on the power and check operation of the fan. The fan is controlled by the use of the pull chain as follows:
 1. one pull = high speed
 2. two pulls = medium high speed
 3. three pulls = medium speed
 4. four pulls = low speed
 5. five pulls = off
- 2 For proper functions, ensure that the chain is pulled down fully and released each time.
NOTE: Leave pull chain switch in "high speed" position when using optional wall control.
- 3 The slide switch on the side of the switch housing controls forward or reverse rotation. **Make sure switch is not stuck between forward and reverse positions.**
- 4 **IMPORTANT:** To prevent damage or cause injury, be sure that fan is switched to off and blades have stopped moving completely before attempting to change direction of rotation.

Summer Mode and Winter Mode Operation

- 5 Summer Mode (forward):
A DOWNWARD airflow creates a cooling effect as shown in Figure 1. This allows you to set your air conditioner on a warmer setting without affecting your comfort.
- 6 Winter Mode (Reverse):
An UPWARD airflow moves warmer air off the ceiling area as shown in Figure 2. This allows you to set your heating unit on a cooler setting without affecting your comfort.



CARE AND CLEANING

Periodically it may be necessary to re-tighten blade to blade arm screws or blade arm to motor screws to prevent clicking or humming sound during operation. This is especially true in climates with broad temperature and humidity ranges.

When dusting the blades, you must support the blade to prevent bending - no pressure should be applied to the blades. If you experience any flaws in the operation of your fan, please check the following points.

TROUBLESHOOTING

CAUTION:

Switch off power supply before carrying out any of these checks.

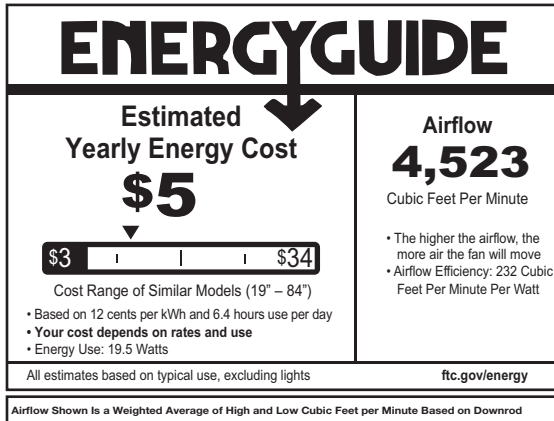
| PROBLEM | SOLUTION |
|--------------------|--|
| FAN WILL NOT START | <ol style="list-style-type: none">1. Check main and branch circuit breakers and/or fuse2. Check line wire connections to fan housing wiring. Make sure forward/reverse switch is set to one or the other position, not stuck in between.3. Check to assure only one fan is installed in the power circuit |
| FAN SOUNDS NOISY | <ol style="list-style-type: none">1. Check and make sure that all screws in motor housing are snug (but not over tight).2. Check that the screws securing blade arms to the motor are tight.3. Check that wire connectors in switch housing are not rattling against each other or the interior wall of the switch housing.4. Check that all glassware is finger tight and that bulb(s) are well held in the sockets, if a light kit is used.5. Check that the canopy is firmly attached to hanging bracket and not vibrating against ceiling. |
| FAN WOBBLER | <ol style="list-style-type: none">1. Check that all blades are firmly screwed into blade arms. Check that all blade arms are firmly secure to the motor.2. Check to make sure that light kit (if present) is firmly attached to switch housing and that all glassware and shades are fastened properly. Wobble can also result from even the smallest deviations in distance from blade tip to blade tip.3. If measurements from blade tip to blade tip are not equal, loosen screws connecting blade to blade arm one at a time and adjust blade(s) so that distances are equal.4. Interchanging adjacent blades may redistribute mass and result in smoother operation. Blade arms can be bent slightly to restore same pitch to all blades if a blade is different than the other blades when viewed edge on.5. Most wobble can be traced to a loose electrical box or mounting bracket. Make sure these are tight and the ball is completely seated in the bracket.6. Use the enclosed Blade Balancing Kit if the blade wobble is still noticeable. |

WARNING: TO REDUCE THE RISK OF PERSONAL INJURY, DO NOT BEND THE BLADE ARM WHILE INSTALLING, BALANCING THE BLADES, OR CLEANING THE FAN. DO NOT INSERT FOREIGN OBJECTS BETWEEN ROTATING FAN BLADES.

ENERGY GUIDE

SPECIFICATIONS

AVERAGE PERFORMANCE AND ENERGY INFORMATION



| PERFORMANCE SPECIFICATIONS | STANDARD | |
|----------------------------|------------|-----------|
| | HIGH SPEED | LOW SPEED |
| Airflow (CFM) | 6345 | 2459 |
| Energy Use (Watts) | 29.9 | 4.6 |
| Airflow Efficiency (CFM/W) | 212 | 535 |
| Energy Costs (Yearly) | \$8 | \$1 |
| Amps | 0.39 | 0.09 |
| RPMs | 141 | 52 |

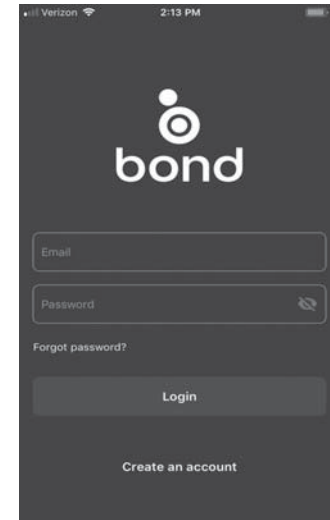
SMART BY BOND

HINKLEY SMART FAN OPTIONS:

In addition to the included wall control, you can control your Hinkley fan through the Bond app.

- To use the app, download it for free from the App Store or Google Play.
- Open the app to create your account. You can also login with your Facebook or Google account.
- Next, set up a WiFi connection. You will need the SSID and WiFi password for the network you want to connect to.
- You will receive a prompt to choose the finish of your fan and name your fan device.
- The app will walk you through the main screen and show you how to change fan speeds, dim the light, set timers or utilize breeze mode.

NOTE: Maximum of 2 fans can operate on a circuit through the wall control. Maximum of 12 fans can operate on a circuit through an on/off switch or breaker when utilizing the app for the fan control (without the wall control in the circuit).



<https://bondhome.io/app>

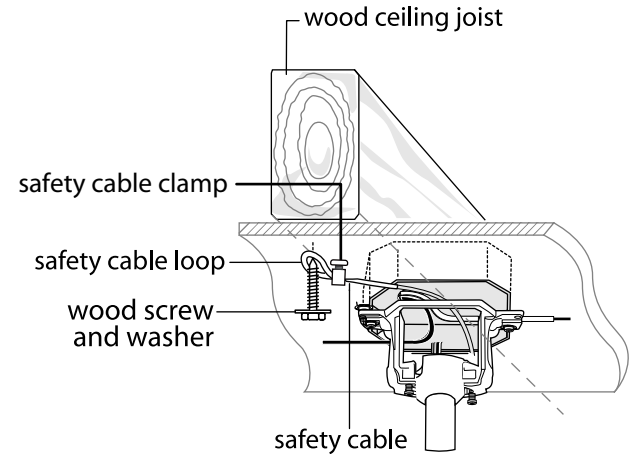
HINKLEY IS PROUD TO PROVIDE YOU WITH CEILING FAN PRODUCTS THAT ENHANCE YOUR SPACE WITH COMFORT, PURPOSE AND STYLE. AS A FAMILY COMPANY, WE ARE COMMITTED TO DESIGN, PERFORMANCE AND QUALITY, AND WHAT'S IMPORTANT TO YOU IS PARAMOUNT TO US.

FOR A COMPLETE ASSORTMENT OF OUR PRODUCTS AND SOURCE BOOKS, VISIT HINKLEY.COM.

HINKLEY

INSTALLATION OF SAFETY CABLE SUPPORT

Attach the wood screw and the flat washer to the ceiling joist as shown (do not fully tighten). Slide the cable clamp onto the safety cable from the fan. Loop the safety cable around the wood screw that was just attached to ceiling joist. Feed the end of the cable into the clamp and pull as much cable through as possible. Firmly tighten screw in the clamp. Cut off excess cable.



HINKLEY

GLOBAL HEADQUARTERS

33000 Pin Oak Parkway | Avon Lake, Ohio 44012

T (440) 653 5500 | F (440) 653 5555 | hinkley.com

HINKLEY

52" TROPIC AIR™

VENTILADOR LED INTERIOR / EXTERIOR



WET



DC MOTOR



LISTED

MANUAL DE INSTRUCCIONES EN ESPAÑOL

QUEREMOS QUE AMES A TU NUEVO VENTILADOR

ASÍ QUE ESTAMOS AQUÍ SI TIENE UNA PREGUNTA,
NECESITA AYUDA O QUIERE HABLAR SOBRE NUESTROS
PRODUCTOS. ENVÍE SUGERENCIAS NUESTRO CAMINO
TAMBIÉN: SIEMPRE ESTAMOS BUSCANDO HACER QUE
SU EXPERIENCIA CON HINKLEY SEA POSITIVA.

> **SERVICE@HINKLEY.COM**

> **800.HINKLEY**

> **VAMOS A ESE ESTILO**
HINKLEY@HINKLEY #HINKLEYSTYLE

Este manual contiene instrucciones completas para la
instalación y operación de este ventilador. Ha sido
diseñado para hacer que el proceso de instalación sea
lo más fácil posible. Si no está familiarizado o no se
siente cómodo con el cableado, comuníquese con un
electricista calificado. Si necesita asistencia adicional o
tiene alguna pregunta, comuníquese con nosotros.

Para obtener información sobre la garantía, visite hinkley.com.

Tabla de contenido

| | | | |
|----|--|----|--|
| 02 | INSTRUCCIONES GENERALES DE INSTALACIÓN Y OPERACIÓN | 10 | ACCESORIO DE HOJA |
| 03 | PRECAUCIONES IMPORTANTES DE | 11 | INSTALACIÓN DE LA CAJA DEL INTERRUPTOR |
| 03 | SEGURIDAD HERRAMIENTAS Y | 12 | DESMONTABLE OPERACIÓN |
| 04 | MATERIALES REQUERIDOS DESEMBALAJE | 13 | CUIDADO Y LIMPIEZA |
| 05 | TU VENTILADOR PREPARACIÓN | 13 | SOLUCIÓN DE PROBLEMAS |
| 05 | INSTALANDO EL SOPORTE COLGANTE | 14 | GUÍA DE ENERGÍA |
| 06 | COLGANDO EL VENTILADOR | 14 | ESPECIFICACIONES |
| 08 | CONEXIONES ELÉCTRICAS | 14 | INTELIGENTE POR BOND |
| 09 | ACABADO DE LA INSTALACIÓN | | |

NOTA: Límite de un ventilador por circuito de alimentación.

ADVERTENCIA:

Lea y siga estas instrucciones cuidadosamente y tenga en cuenta todas las advertencias que se muestran a lo largo de

INSTRUCCIONES GENERALES DE INSTALACIÓN Y OPERACIÓN

- 1 Para garantizar el éxito de la instalación, asegúrese de leer las instrucciones y revisar los diagramas a fondo antes de comenzar.
- 2 Para evitar posibles descargas eléctricas, asegúrese de que la electricidad esté apagada en la caja de alimentación principal antes de realizar el cableado. Todas las conexiones eléctricas deben realizarse de acuerdo con los códigos, ordenanzas locales y / o el Código Eléctrico Nacional. Si no está familiarizado con los métodos de instalación de cableado y productos eléctricos, asegure los servicios de un electricista calificado y con licencia, así como de alguien que pueda verificar la resistencia de los miembros del techo de apoyo y realizar las instalaciones y conexiones adecuadas.
- 3 **ADVERTENCIA:** Para reducir el riesgo de incendio, descarga eléctrica u otras lesiones personales, monte el ventilador solo en una caja de salida o en un sistema de soporte marcado como aceptable para un soporte de ventilador de 35 lb (15.9 kg) o menos y use los tornillos de montaje provistos con la caja de salida. La mayoría de las cajas de salida comúnmente utilizadas para el soporte de accesorios de iluminación no son aceptables para el soporte del ventilador y pueden necesitar ser reemplazadas. Consulte a un electricista calificado si tiene dudas.
- 4 Asegúrese de que su sitio de instalación no permita que las aspas del ventilador giratorio entren en contacto con ningún objeto. Las cuchillas deben estar a un mínimo de 7 pies del piso.
- 5 Las cuchillas deben colocarse después de que la carcasa del motor esté colgada y colocada. La carcasa del motor del ventilador debe mantenerse en la caja hasta que esté lista para ser instalada para proteger su acabado. Si está instalando más de un ventilador de techo, asegúrese de no mezclar los conjuntos de aspas del ventilador, ya que cada aspa forma parte de un conjunto ponderado.
- 6 Después de hacer las conexiones eléctricas, los conductores empalmados deben girarse hacia arriba y empujarse con cuidado hacia la caja de salida. Los cables deben separarse con el conductor común y el conductor de tierra en un lado de la caja de salida, y el Cables "CALIENTES" en el otro lado.
- 7 Los diagramas eléctricos son solo de referencia. Los kits de luces que no están empacados con el ventilador deben estar en la lista UL y deben instalarse según las instrucciones de instalación del kit de luces.
- 8 Una vez que el ventilador esté completamente instalado, verifique que todas las conexiones estén seguras para evitar que el ventilador se caiga y / o cause daños o lesiones.
- 9 Se puede hacer que el ventilador funcione inmediatamente después de la instalación: los cojinetes están adecuadamente cargados de grasa para que, en condiciones normales, no sea necesaria una mayor lubricación durante la vida útil del ventilador.
- 10 Para operar la función de retroceso en este ventilador, presione el botón de retroceso mientras el ventilador está funcionando.

NOTA: Límite de un ventilador por circuito de alimentación.

PRECAUCIONES IMPORTANTES DE SEGURIDAD

ADVERTENCIAS:

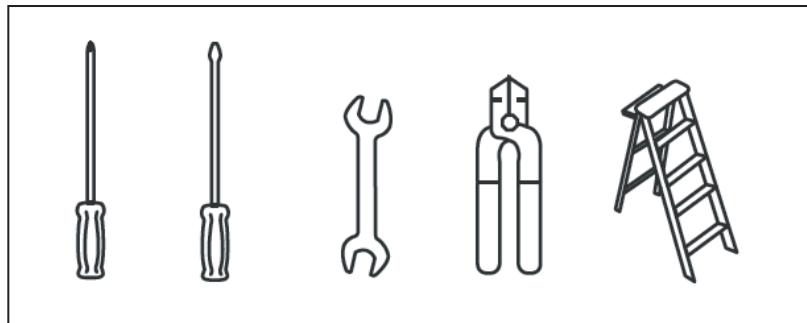
- Desconecte la energía quitando el fusible o apagando el interruptor de circuito antes de instalar el ventilador y / o la iluminación opcional.
- Apoyo directo desde la estructura del edificio.
- Para reducir el riesgo de incendio, descarga eléctrica o lesiones personales, monte en la caja de salida marcada como "aceptable para soporte del ventilador" y use los tornillos de montaje provistos con la caja de salida. La mayoría de las cajas de salida comúnmente utilizadas para el soporte de accesorios de iluminación no son aceptables para el soporte del ventilador y pueden necesitar ser reemplazadas. Consulte a un electricista calificado si tiene dudas.
- No utilice un atenuador de luz incandescente. No utilice este ventilador con ningún dispositivo de control de velocidad del ventilador de tipo transformador. To reduce the risk of personal injury, do not bend the blade arms when installing them, balancing the blades or cleaning the fan.
- No inserte ningún objeto (s) entre las aspas giratorias del ventilador.

NOTA:

Las precauciones, salvaguardas e instrucciones importantes que aparecen en este manual no están destinadas a cubrir todas las condiciones y situaciones posibles que puedan ocurrir. Debe entenderse que el sentido común, la precaución y el cuidado son factores que no se pueden incorporar a este producto. Estos factores deben ser proporcionados por la (s) persona (s) que instalan, cuidan y operan la unidad.

HERRAMIENTAS Y MATERIALES REQUERIDOS

- DESTORNILLADOR PHILLIPS
- DESTORNILLADOR PLANO
- LLAVE O ALICATES
- CORTADOR DE CABLES
- ESCALERA DE TIJERA
- SUMINISTROS DE CABLEADO
SEGÚN REQUERIDO POR CÓDIGO
ELÉCTRICO



DESEMBALAJE TU VENTILADOR

DESEMBALA TU VENTILADOR Y COMPRUEBA EL CONTENIDO

- No deseche la caja de cartón. Si alguna vez es necesario reemplazar o reparar la garantía, el ventilador debe devolverse en su embalaje original. Retire todas las piezas y hardware. No coloque la carcasa del motor sobre un costado, o la carcasa decorativa puede moverse, doblarse o dañarse.
- Examinar todas las partes. Debe tener lo siguiente:

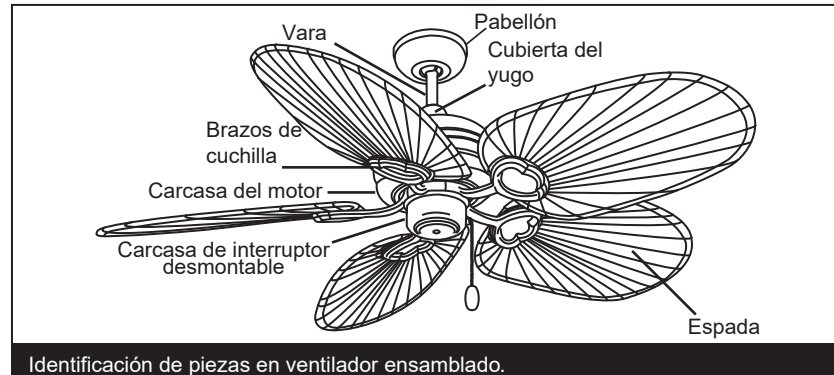
| | | | |
|---|---|--|----------------------|
| | CONTENIDO DEL PAQUETE DE AIRE TROPICO | | |
| | 1 | Juego de cuchillas de 5 | BL901952Fxx |
| | 2 | Soporte colgante | CA901952Fxx |
| | 3 | Toldo de techo y anillo de ajuste | |
| | 4 | Cubierta de humedad de bolar | En Bolsa de hardware |
| | 5 | Conjunto de varilla / bola | DR94016Fxx |
| | 6 | Cubierta del yugo | YC901952Fxx |
| | 7 | Ventilador con motor * Retire los soportes de envío de goma alrededor del motor, si están incluidos en su ventilador. Guardar tornillos | X |
| | 8 | Placa de montaje | X |
| | 9 | Carcasa de interruptor desmontable | SWH901952Fxx |
| | 10 | Blade Arm Set de 5 | BLI901952Fxx |
| 11 | Bolsa de hardware | | |
| | Tire de la cadena con el mando, Hardware de montaje de soporte (tornillos para madera, tornillos, arandelas de seguridad, arandelas, tuercas para cables), tornillos de brazo de hoja a hoja y arandelas de goma, Kit de equilibrio | MH901952Fxx | |
| <p>NOTA: El diseño de las piezas que se muestran arriba puede ser ligeramente diferente para su modelo específico de ventilador.</p> | | XX=ACABADO VENTILADOR | |

PREPARACIÓN:

PREPARACIÓN:

Asegúrese de tener todas las piezas antes de comenzar la instalación. Revise el inserto de espuma cuidadosamente para ver si faltan piezas. Retire el motor del embalaje. Para evitar daños en el acabado, ensamble el motor sobre una superficie acolchada o use el inserto de espuma original en la carcasa del motor.

NO COLOQUE LA VIVIENDA DEL MOTOR EN EL LADO, PUEDE RESULTAR EN MOVER EL MOTOR EN LA VIVIENDA DECORATIVA.



Identificación de piezas en ventilador ensamblado.

INSTALANDO EL SOPORTE COLGANTE

PRECAUCIÓN: Para evitar posibles descargas eléctricas, asegúrese de que la electricidad esté apagada en la caja de alimentación principal antes de realizar el cableado. Todo el cableado debe estar de acuerdo con los códigos eléctricos nacionales y locales y el ventilador de techo debe estar conectado a tierra como precaución contra posibles descargas eléctricas.

- 1 Ubique la viga del techo donde se va a montar el ventilador, asegurándose de que la ubicación esté de acuerdo con los requisitos en la sección de espacio libre mínimo de esta guía. Las viguetas de madera deben ser sólidas y de tamaño adecuado para soportar 35 libras (consulte la página 2, elementos 3 y 4).
- 2 Si aún no está presente, monte una caja de salida listada por UL marcada como "adecuada para soporte del ventilador" siguiendo las instrucciones proporcionadas con la caja de salida. La caja de salida debe poder soportar un mínimo de 35 libras.
- 3 Retire el dosel del soporte de suspensión. Retire el anillo de ajuste de bloqueo por giro girando en sentido antihorario. Retire el tornillo del dosel que no tiene ranura para llave en el dosel. Afloje el tornillo con la ranura de la llave y retire la cubierta.
- 4 Fije el soporte colgante a la caja de salida con los tornillos provistos con la caja de salida.

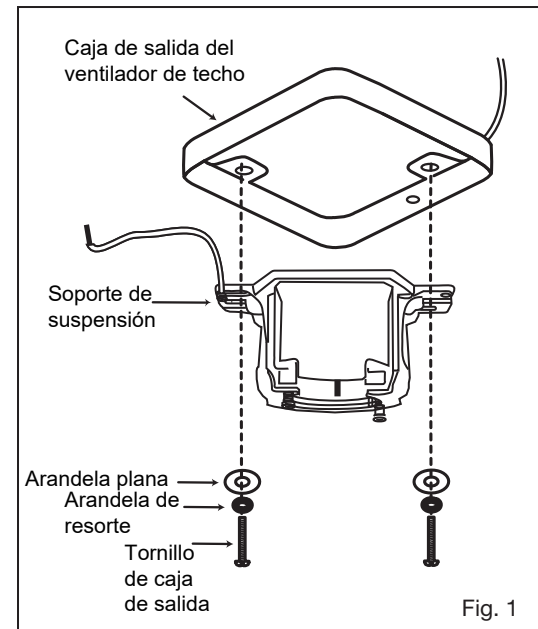
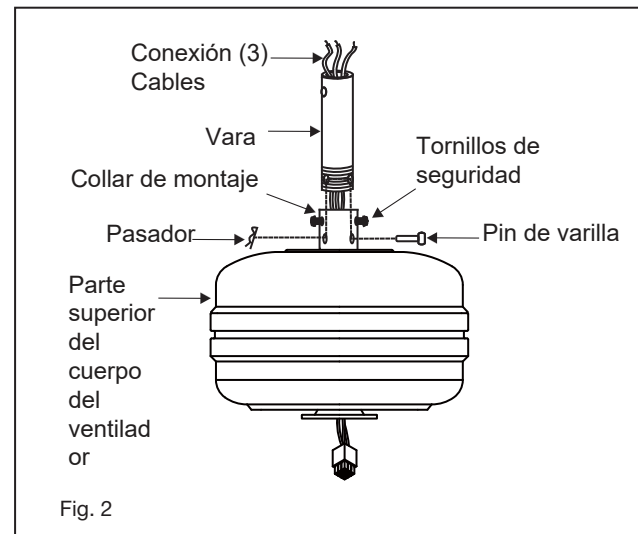
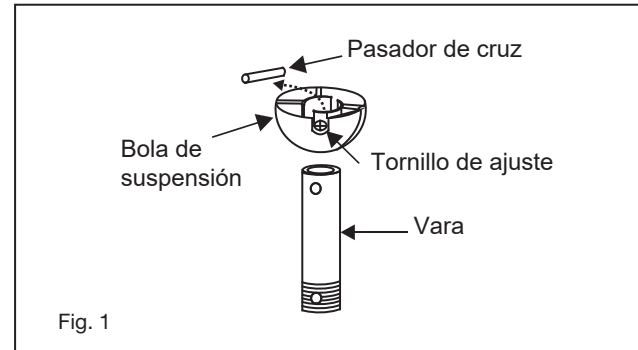


Fig. 1

COLGANDO EL VENTILADOR

- 1 Retire la bola de la varilla aflojando el tornillo de fijación en el costado de la bola. Deslice la bola hacia abajo y retire el pasador; quitar la pelota (Figura 1)
- 2 Sostenga con cuidado el cuerpo del ventilador (motor) en su empaque de espuma de poliestireno con el collar de montaje (de donde salen los cables) hacia arriba.
- 3 Afloje los dos tornillos de fijación y retire el pasador de enganche y el clip de retención del acoplamiento en la parte superior del conjunto del motor. (Figura 2)
- 4 Alimente cuidadosamente los cables conductores eléctricos desde el ventilador a través de la varilla. Inserte el pasador de la varilla hacia abajo a través de los agujeros en el collar de montaje y la varilla; deslice el pasador de chaveta a través del pequeño orificio en el extremo del pasador de varilla para mantener la varilla en su lugar.
- 5 Apriete los tornillos de seguridad contra la varilla con un destornillador de punta plana grande para asegurar un ajuste perfecto contra la varilla. Apriete las tuercas contra el collar de montaje.



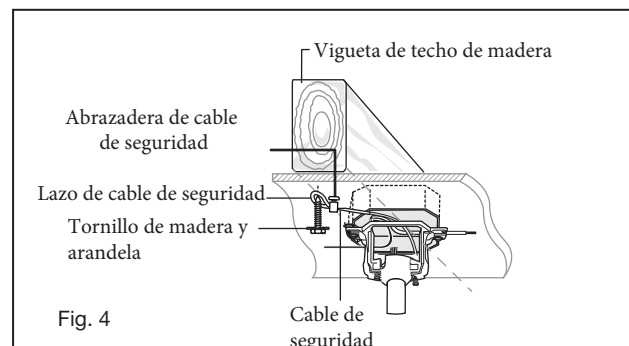
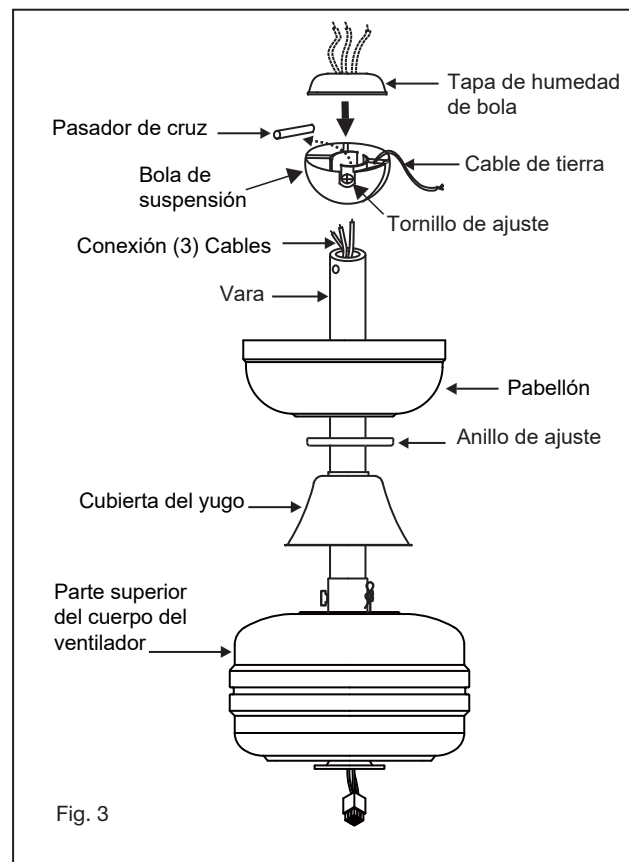
RECUERDA apagar la corriente antes de comenzar.

Para instalar correctamente su ventilador de techo, siga los pasos a continuación.

- 6 Deslice la cubierta del yugo, el anillo de ajuste y la cubierta sobre la varilla. (Fig. 3)
- 7 Deslice la bola de suspensión sobre la varilla, inserte el pasador transversal a través de la varilla y apriete. Apriete el tornillo de fijación.
- 8 Pase los alambres a través de los agujeros en la tapa de humedad de la bola de goma y deslice la tapa hacia abajo sobre la parte superior de la bola. (Fig. 3)
- 9 Levante la bola / varilla / ventilador en la abertura del soporte de suspensión. **NOTA:** La lengüeta opuesta a la abertura del soporte del colgador debe encajar en la ranura de la bola. (Fig. 4)

NOTA:

Se suministran 6 pies de cable conductor en el ventilador para usar con barras más largas



INSTALACIÓN DE SOPORTE DE CABLE DE SEGURIDAD

Fije el tornillo para madera y la arandela plana a la viga del techo como se muestra (no apriete completamente). Deslice la abrazadera del cable sobre el cable de seguridad desde el ventilador. Pase el cable de seguridad alrededor del tornillo de madera que se acaba de conectar a la viga del techo. Introduzca el extremo del cable en la abrazadera y pase la mayor cantidad de cable posible. Apriete firmemente el tornillo en la abrazadera. Corte el cable sobrante.

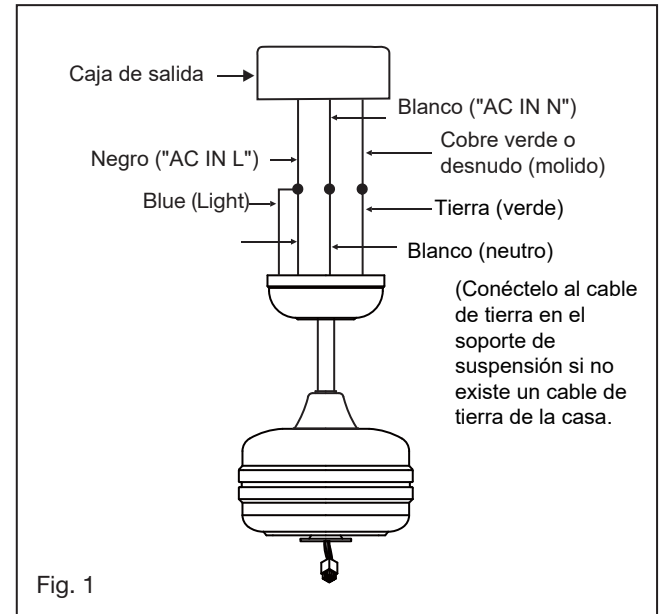
CONEXIONES ELÉCTRICAS

NOTA: un ventilador por circuito de alimentación.

ADVERTENCIA:

Para evitar posibles descargas eléctricas, asegúrese de que la electricidad esté apagada en el fusible principal o en la caja de interruptores antes de realizar el cableado.

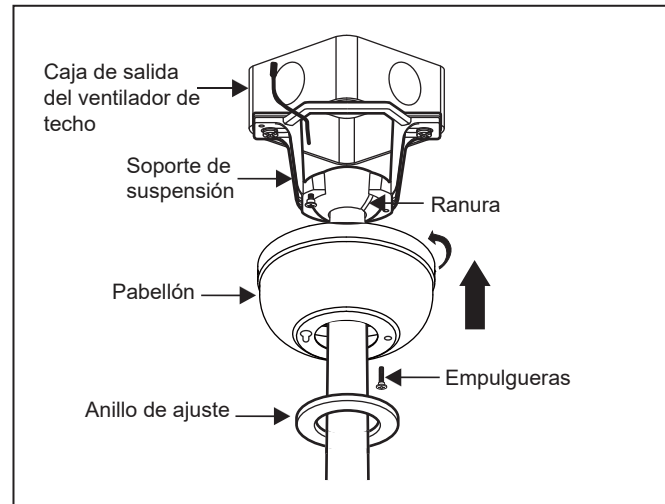
- 1 Conecte los cables de suministro del ventilador (negro) y de luz (azul) al cable de suministro doméstico negro como se muestra en la Figura 1
- 2 Conecte el cable neutro del ventilador (blanco) al cable blanco neutro de la casa (Figura 1).
- 3 Después de hacer todos los empalmes, verifique que no haya hebras sueltas. Como precaución adicional, sugerimos asegurar los conectores de plástico a los cables con cinta aislante.



ACABADO DE LA INSTALACIÓN

- 1 Meta las conexiones cuidadosamente en la caja de salida del techo.
- 2 Deslice la cubierta hacia el soporte de montaje y coloque el orificio de la llave en la cubierta sobre el tornillo del soporte de montaje, gire la cubierta hasta que encaje en su lugar en la sección estrecha de los agujeros de la llave.
- 3 Alinee el orificio circular en el dosel con el orificio restante en el soporte de montaje, asegure apretando los dos tornillos de fijación.

NOTA: Ajuste los tornillos del dosel según sea necesario hasta que el dosel y el anillo de ajuste estén ajustados.



ADVERTENCIA:

Asegúrese de que el gancho en la percha de la percha se asiente correctamente en la ranura de la bola de la percha antes de sujetar el dosel a la percha girando la carcasa hasta que encaje en su lugar.

ACCESORIO DE HOJA

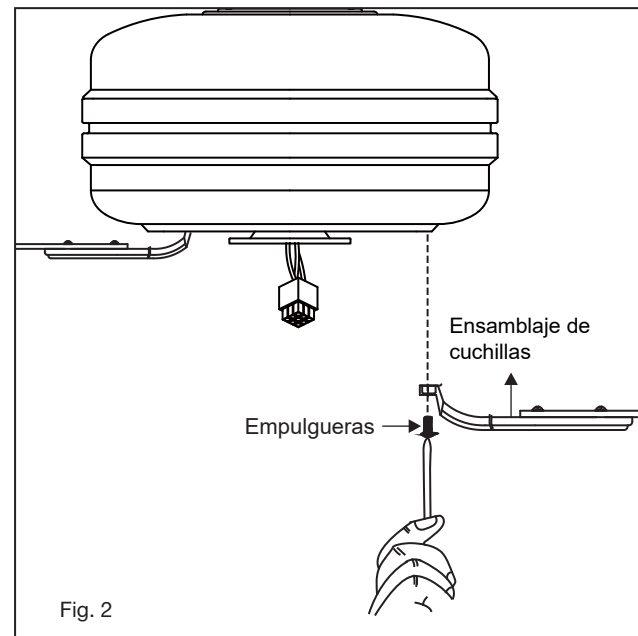
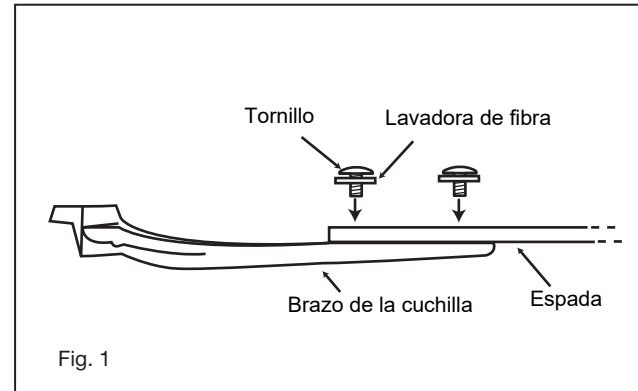
NOTA: Retire cualquier soporte de goma que esté instalado para el envío

ADVERTENCIA: El conjunto del motor del ventilador se envía con soportes de goma para evitar el movimiento durante el transporte. Retire los cinco soportes de empaque de goma del conjunto del motor del ventilador y deséchelos antes de colocar los brazos de las aspas.

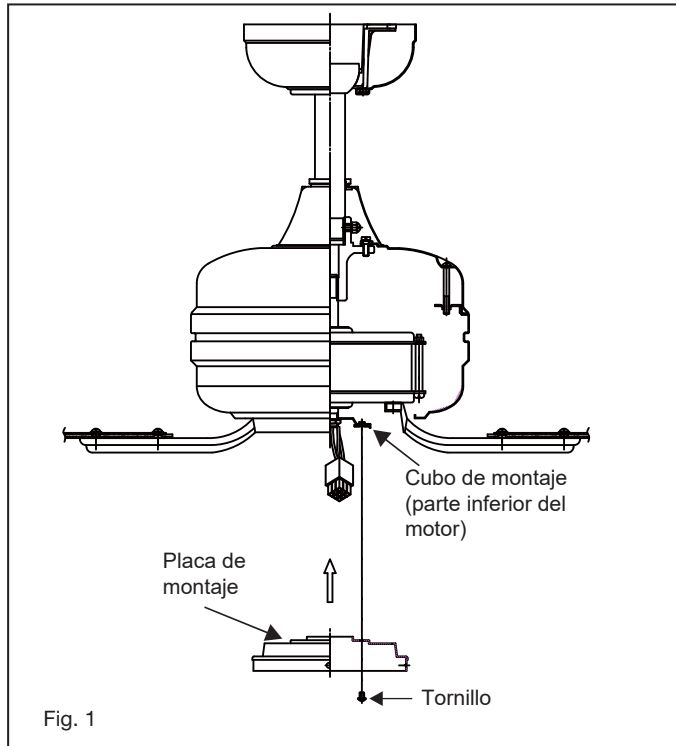
- 1 Coloque la arandela de goma en el tornillo. Inserte este conjunto a través de la cuchilla y comience a atornillar el brazo de la cuchilla. Repita este procedimiento sin apretar el tornillo hasta que los 3 tornillos hayan comenzado en el brazo de la cuchilla (Fig. 1).
- 2 Apriete cada tornillo comenzando con el tornillo central.
- 3 Fije el ensamblaje de la cuchilla al motor con los tornillos provistos y las arandelas de seguridad. Repita el procedimiento para las cuchillas restantes (Fig. 2). ¡Asegúrese de que los tornillos estén apretados! Los tornillos flojos del motor pueden contribuir al zumbido innecesario durante la operación.

NOTA:

NO se recomiendan los destornilladores eléctricos, ya que generalmente pelan las cabezas de los tornillos y generalmente no comprimen completamente las arandelas de seguridad de los tornillos del motor. Use un destornillador plano de hoja grande para apretar por completo y comprimir completamente las arandelas. Esto ayudará a garantizar una alineación adecuada de las cuchillas y un funcionamiento sin ruido ni oscilaciones..

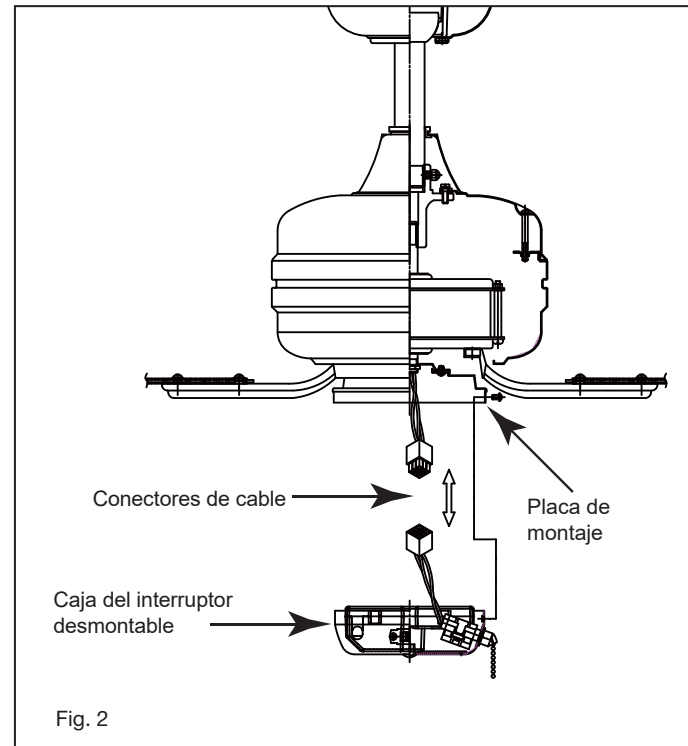


INSTALACIÓN DE LA CAJA DEL INTERRUPTOR DESMONTABLE



1 Retire el 1 de 3 tornillos del cubo de montaje y guárdelo para usarlo en el futuro. Afloje los otros 2 tornillos. (No quitar)

2 Coloque los orificios de la llave en la placa de montaje sobre los 2 tornillos previamente aflojados del cubo de montaje, gire la placa de montaje hasta que encaje en la sección estrecha de los orificios de la llave. Asegure apretando los 2 tornillos previamente aflojados y el que se retiró anteriormente. (Figura 1)



1 Retire el 1 de 3 tornillos de la placa de montaje y afloje los otros 2 tornillos. (No quitar)

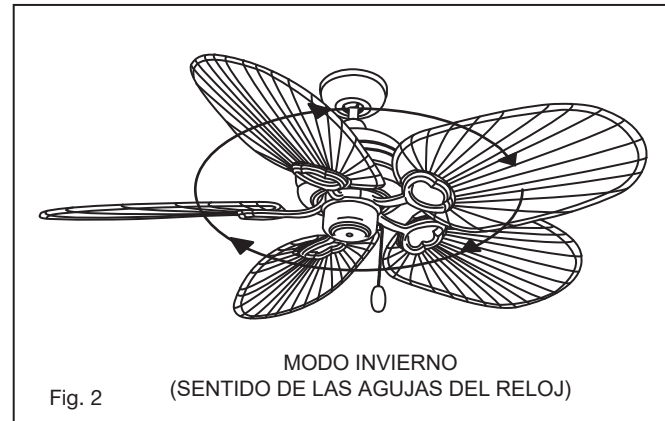
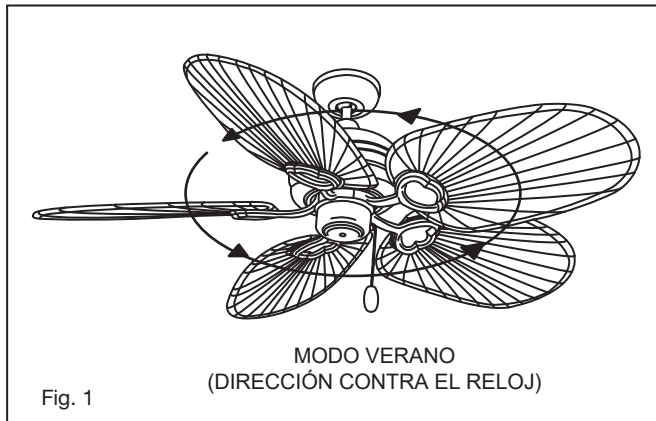
2 Levante y sostenga la carcasa del interruptor desmontable cerca de la placa de montaje y presione los conectores de cable cuadrado juntos. (Figura 2)

3 Coloque los orificios de la llave en la carcasa del interruptor desmontable sobre los 2 tornillos que se aflojaron previamente de la placa de montaje, gire el kit de luces hasta que encaje en la sección estrecha de los orificios de la llave. Asegure apretando los 2 tornillos previamente aflojados y el que se retiró anteriormente. (Figura 2)

OPERACIÓN

- 1 Encienda la alimentación y verifique el funcionamiento del ventilador. El ventilador se controla mediante el uso de la cadena de tracción de la siguiente manera:
 1. un tirón = alta velocidad
 2. dos tirones = velocidad media alta
 3. tres tirones = velocidad media
 4. cuatro tirones = baja velocidad
 5. cinco tirones = off
- 2 Para las funciones adecuadas, asegúrese de que la cadena se jale completamente y se suelte cada vez. **NOTA:** deje el interruptor de la cadena de tracción en la posición de "alta velocidad" cuando utilice el control de pared opcional..
- 3 El interruptor deslizante en el costado de la carcasa del interruptor controla la rotación hacia adelante o hacia atrás. Asegúrese de que el interruptor no esté atascado entre las posiciones de avance y retroceso.
- 4 **IMPORTANTE:** Para evitar daños o causar lesiones, asegúrese de que el ventilador esté apagado y las aspas hayan dejado de moverse por completo antes de intentar cambiar el sentido de rotación.

Modo verano y funcionamiento en modo invierno
Modo de verano (adelante):
- 5 Un flujo de aire HACIA ABAJO crea un efecto de enfriamiento como se muestra en la Figura 1. Esto le permite configurar su aire acondicionado en un ambiente más cálido sin afectar su comodidad.
Modo de invierno (reverso):
- 6 Un flujo de aire HACIA ARRIBA mueve el aire más cálido del área del techo como se muestra en la Figura 2. Esto le permite configurar su unidad de calefacción en un lugar más frío sin afectar su comodidad.



CUIDADO Y LIMPIEZA

Periódicamente puede ser necesario volver a apretar los tornillos de la cuchilla al brazo de la cuchilla o del brazo de la cuchilla a los tornillos del motor para evitar que se escuche un clic o un zumbido durante el funcionamiento. Esto es especialmente cierto en climas con amplios rangos de temperatura y humedad.

Cuando desempolve las cuchillas, debe sostener la cuchilla para evitar que se doble; no se debe aplicar presión a las cuchillas. Si experimenta algún defecto en el funcionamiento de su ventilador, verifique los siguientes puntos.

SOLUCIÓN DE PROBLEMAS

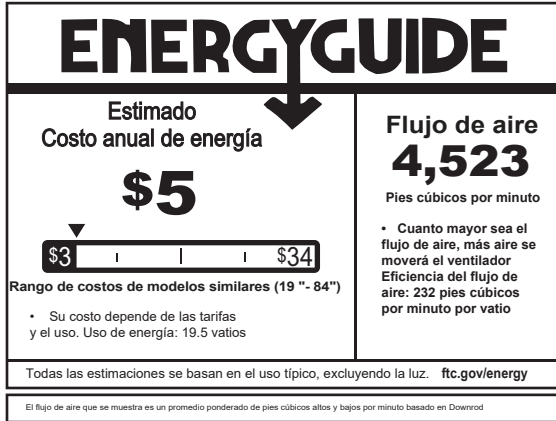
PRECAUCIÓN:

Apague la fuente de alimentación antes de realizar cualquiera de estas comprobaciones

| PROBLEMA | SOLUCIÓN |
|--------------------------|---|
| EL VENTILADOR NO ARRENCA | <ol style="list-style-type: none">1. Revise los fusibles o disyuntores del circuito.2. Compruebe la luz indicadora LED del control de pared. Si el LED no se ilumina al presionar un botón, no está transmitiendo una señal. Compruebe la alimentación al control de pared / disyuntor y todas las conexiones eléctricas.3. Asegúrese de que no haya más de 2 ventiladores funcionando en un circuito a través del control de pared. Asegúrese de que no haya más de 12 ventiladores funcionando en un circuito a través de un interruptor de pared encendido / apagado o un interruptor (no a través de un control de pared).4. Asegúrese de que el ventilador esté dentro del alcance del WiFi (150 pies) o del control de pared (30 pies).5. Verifique que solo haya un ventilador instalado en el circuito de alimentación. |
| VENTILADOR SONIDOS RUIDO | <ol style="list-style-type: none">1. Permita un período de "robo" de 24 horas. La mayor parte del ruido asociado con un nuevo ventilador desaparecerá durante este tiempo.2. Asegúrese de que todos los tornillos de la carcasa del motor estén bien sujetos.3. Asegúrese de que los tornillos que sujetan la aspa del ventilador estén apretados.4. Asegúrese de que su caja de techo esté segura y que se usen almohadillas aislantes de goma entre el soporte de montaje y la caja de salida. |
| VENTILADORES | <ol style="list-style-type: none">1. Verifique que todos los tornillos de la cuchilla y del brazo de la cuchilla estén seguros.2. Si la oscilación de la cuchilla aún se nota, el intercambio de dos cuchillas adyacentes (una al lado de la otra) puede redistribuir el peso y posiblemente resultar en una operación más suave3. Verifique para asegurarse de que todas las varillas descendentes al hardware del motor y / o la bola de suspensión estén apretadas.4. Asegúrese de que la caja del techo esté segura. |

GUÍA DE ENERGÍA

INFORMACIÓN MEDIA DE DESEMPEÑO Y ENERGÍA



ESPECIFICACIONES

| ESPECIFICACIONES DE RENDIMIENTO | ESTÁNDAR | |
|-------------------------------------|----------------|----------------|
| | ALTA VELOCIDAD | BAJA VELOCIDAD |
| Flujo de aire (CFM) | 6345 | 2459 |
| Energía usada (vatios) | 29.9 | 4.6 |
| Eficiencia de flujo de aire (CFM/W) | 212 | 535 |
| Costos de energía (anual) | \$8 | \$1 |
| Amplificadores | 0.39 | 0.09 |
| RPMs | 141 | 52 |

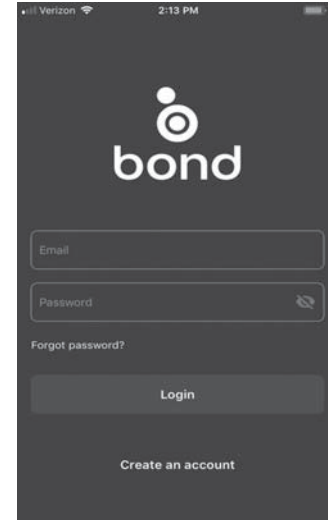
INTELIGENTE POR BOND

OPCIONES DE VENTILADOR INTELIGENTE HINKLEY:

Además del control de pared incluido, puede controlar su ventilador Hinkley a través de la aplicación Bond.

- Para usar la aplicación, descárguela de forma gratuita desde App Store o Google Play.
- Abra la aplicación para crear su cuenta. También puede iniciar sesión con su cuenta de Facebook o Google.
- Luego, configure una conexión WiFi. Necesitará el SSID y la contraseña de WiFi para la red a la que desea conectarse.
- Recibirá un mensaje para elegir el acabado de su ventilador y nombrar su dispositivo de ventilador.
- La aplicación lo guiará a través de la pantalla principal y le mostrará cómo cambiar las velocidades de los ventiladores, atenuar la luz, configurar temporizadores o utilizar el modo brisa.

NOTA: Máximo de 2 ventiladores pueden operar en un circuito a través del control de pared. Un máximo de 12 ventiladores pueden operar en un circuito a través de un interruptor de encendido / apagado o interruptor cuando se utiliza la aplicación para el control del ventilador (sin el control de pared en el circuito).



<https://bondhome.io/app>

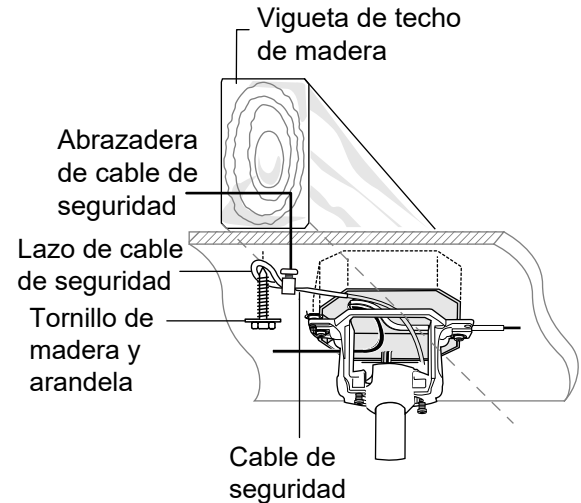
HINKLEY SE ENCUENTRA ORGULLOSO DE PROPORCIONARLE PRODUCTOS PARA VENTILADORES DE TECHO QUE MEJORAN SU ESPACIO CON COMODIDAD, PROPÓSITO Y ESTILO. COMO EMPRESA FAMILIAR, ESTAMOS COMPROMETIDOS CON EL DISEÑO, EL RENDIMIENTO Y LA CALIDAD, Y LO QUE ES IMPORTANTE PARA USTED ES PARAMOUNT PARA NOSOTROS.

PARA UN SURTIDO COMPLETO DE NUESTROS PRODUCTOS Y FUENTES DE LIBROS, VISITA HINKLEY.COM.

HINKLEY

INSTALACIÓN DE SEGURIDAD SOPORTE DE CABLE

Fije el tornillo para madera y la arandela plana a la viga del techo como se muestra (no apriete completamente). Deslice la abrazadera del cable sobre el cable de seguridad desde el ventilador. Pase el cable de seguridad alrededor del tornillo de madera que se acaba de conectar a la viga del techo. Introduzca el extremo del cable en la abrazadera y pase la mayor cantidad de cable posible. Apriete firmemente el tornillo en la abrazadera. Cortar el exceso de cable.



HINKLEY

GLOBAL HEADQUARTERS

33000 Pin Oak Parkway | Avon Lake, Ohio 44012

T (440) 653 5500 | F (440) 653 5555 | hinkley.com

HINKLEY

52" TROPIC AIR™

VENTILADOR LED INTERIOR / EXTERIOR



WET



DC MOTOR



LISTED

MANUAL DE INSTRUCCIONES
EN ESPAÑOL

NOUS VOULONS VOUS AIMER VOTRE NOUVEAU FAN

NOUS SOMMES ICI SI VOUS AVEZ UNE QUESTION, BESOIN D'UNE AIDE OU VOULEZ CHAT SUR NOS PRODUITS. ENVOYER DES SUGGESTIONS NOTRE FAÇON AUSSI - NOUS CHERCHONS TOUJOURS À FAIRE DE VOTRE EXPÉRIENCE AVEC HINKLEY UNE POSITIVE.

> SERVICE@HINKLEY.COM

> [800.HINKLEY](tel:800.HINKLEY)

> [LET'S SEE THAT HINKLEY STYLE @HINKLEY](#)
[#HINKLEYSSTYLE](#)

Ce manuel contient des instructions complètes pour l'installation et le fonctionnement de ce ventilateur. Il a été conçu pour rendre le processus d'installation aussi simple que possible. Si vous n'êtes pas familier ou mal à l'aise avec le câblage, veuillez contacter un électricien qualifié. Si vous avez besoin d'aide supplémentaire ou avez des questions, n'hésitez pas à nous contacter.

Pour des informations sur la garantie, visitez hinkley.com.

TABLE DES MATIÈRES

| | | | |
|----|--|----|---|
| 02 | INSTRUCTIONS GÉNÉRALES D'INSTALLATION ET DE FONCTIONNEMENT | 10 | ATTACHEMENT DE LAME |
| 03 | PRÉCAUTIONS DE SÉCURITÉ IMPORTANTES | 11 | INSTALLATION D'UN BOÎTIER DE COMMUTATEUR AMOVIBLE |
| 03 | OUTILS ET MATÉRIAUX REQUIS | 12 | OPÉRATION |
| 04 | DÉBALLAGE DE VOTRE VENTILATEUR | 13 | ENTRETIEN ET NETTOYAGE |
| 05 | PRÉPARATION | 13 | DÉPANNAGE |
| 05 | INSTALLATION DU SUPPORT DE SUSPENSION | 14 | GUIDE ÉNERGÉTIQUE |
| 06 | ACCROCHER LE VENTILATEUR | 14 | CARACTÉRISTIQUES |
| 08 | CONNEXIONS ELECTRIQUES | 14 | SMART BY BOND |
| 09 | FIN DE L'INSTALLATION | | |

REMARQUE: Limitez un ventilateur par circuit d'alimentation

AVERTISSEMENT:
Lisez et suivez attentivement ces instructions et tenez compte de tous les avertissements indiqués tout au long

INSTRUCTIONS GÉNÉRALES D'INSTALLATION ET DE FONCTIONNEMENT

- 1 Pour assurer le succès de l'installation, assurez-vous de lire les instructions et de lire attentivement les schémas avant de commencer.
- 2 Pour éviter tout choc électrique, assurez-vous que l'électricité est coupée sur le boîtier d'alimentation principal avant le câblage. Toutes les connexions électriques doivent être effectuées conformément aux codes locaux, aux ordonnances et / ou au National Electric Code. Si vous n'êtes pas familier avec les méthodes d'installation du câblage et des produits électriques, faites appel aux services d'un électricien qualifié et agréé ainsi que de quelqu'un qui peut vérifier la résistance des éléments de plafond et effectuer les installations et les connexions appropriées.
- 3 **AVERTISSEMENT:** pour réduire le risque d'incendie, de choc électrique ou d'autres blessures corporelles, montez le ventilateur uniquement sur une boîte de sortie ou un système de support marqué comme acceptable pour un support de ventilateur de 35 lb (15,9 kg) ou moins et utilisez les vis de montage fournies avec la boîte de sortie. La plupart des boîtiers de sortie couramment utilisés pour le support des appareils d'éclairage ne sont pas acceptables pour le support du ventilateur et peuvent devoir être remplacés. Consulter un électricien qualifié en cas de doute.
- 4 Assurez-vous que votre site d'installation ne permettra pas aux pales de ventilateur en rotation d'entrer en contact avec un objet. Les lames doivent être à au moins 7 pieds du sol.
- 5 Les lames doivent être fixées une fois le boîtier du moteur suspendu et en place. Le boîtier du moteur du ventilateur doit être conservé dans le carton jusqu'à ce qu'il soit prêt à être installé pour protéger sa finition. Si vous installez plusieurs ventilateurs de plafond, assurez-vous de ne pas mélanger des ensembles de pales de ventilateur, car chaque pale fait partie d'un ensemble pondéré.
- 6 Après avoir effectué les connexions électriques, les conducteurs épissés doivent être tournés vers le haut et poussés avec précaution vers le haut dans la boîte de sortie. Les fils doivent être écartés avec le conducteur commun et le conducteur de mise à la terre sur un côté de la boîte de sortie, et le Fils "CHAUDS" de l'autre côté.
- 7 Les schémas électriques sont fournis à titre indicatif uniquement. Les kits d'éclairage qui ne sont pas emballés avec le ventilateur doivent être répertoriés UL et doivent être installés conformément aux instructions d'installation du kit d'éclairage.
- 8 Une fois le ventilateur complètement installé, assurez-vous que toutes les connexions sont sécurisées pour empêcher le ventilateur de tomber et / ou de causer des dommages ou des blessures.
- 9 Le ventilateur peut fonctionner immédiatement après l'installation - les roulements sont correctement chargés de graisse de sorte que, dans des conditions normales, une lubrification supplémentaire ne soit pas nécessaire pendant la durée de vie du ventilateur.
- 10 Pour activer la fonction d'inversion sur ce ventilateur, appuyez sur le bouton d'inversion pendant que le ventilateur fonctionne.

REMARQUE: Limitez un ventilateur par circuit d'alimentation

PRÉCAUTIONS DE SÉCURITÉ IMPORTANTES

AVERTISSEMENTS:

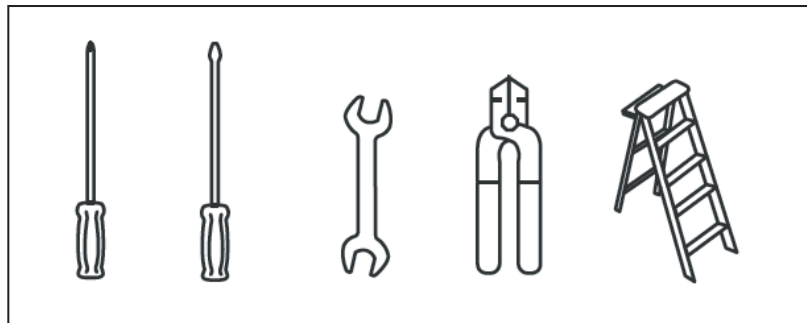
- Coupez l'alimentation en retirant le fusible ou en fermant le disjoncteur avant d'installer le ventilateur et / ou l'éclairage en option.
- Support directement à partir de la structure du bâtiment.
- Pour réduire le risque d'incendie, d'électrocution ou de blessure, montez sur la boîte de sortie marquée "acceptable pour le support du ventilateur" et utilisez les vis de montage fournies avec la boîte de sortie. La plupart des boîtiers de sortie couramment utilisés pour le support des appareils d'éclairage ne sont pas acceptables pour le support du ventilateur et peuvent devoir être remplacés. Consulter un électricien qualifié en cas de doute.
- N'utilisez pas de gradateur de lumière incandescente. N'utilisez pas ce ventilateur avec un dispositif de contrôle de vitesse de ventilateur de type transformateur.
- Pour réduire le risque de blessures corporelles, ne pliez pas les bras des pales lors de leur installation, de l'équilibrage des pales ou du nettoyage du ventilateur.
- N'insérez aucun objet entre les pales du ventilateur en rotation.

REMARQUE:

Les précautions, garanties et instructions importantes figurant dans ce manuel ne sont pas destinées à couvrir toutes les conditions et situations possibles qui peuvent survenir. Il faut comprendre que le bon sens, la prudence et la prudence sont des facteurs qui ne peuvent être intégrés à ce produit. Ces facteurs doivent être fournis par la ou les personnes installant, prenant soin et utilisant l'appareil.

OUTILS ET MATÉRIAUX REQUIS

- TOURNEVIS CRUCIFORME
- TOURNEVIS PLAT
- CLÉ OU PINCE
- COUPE-FIL
- ESCABEAU
- FOURNITURES DE CÂBLAGE
COMME REQUIS PAR LE CODE
ÉLECTRIQUE



DÉBALLAGE DE VOTRE VENTILATEUR

DÉBALLER VOTRE FAN ET VÉRIFIER LE CONTENU

- Ne jetez pas le carton. Si un remplacement ou une réparation sous garantie est nécessaire, le ventilateur doit être retourné dans son emballage d'origine. Retirez toutes les pièces et le matériel. Ne posez pas le boîtier du moteur sur le côté, sinon le boîtier décoratif pourrait se déplacer, être plié ou endommagé.
- Examinez toutes les pièces. Vous devriez avoir les éléments suivants:

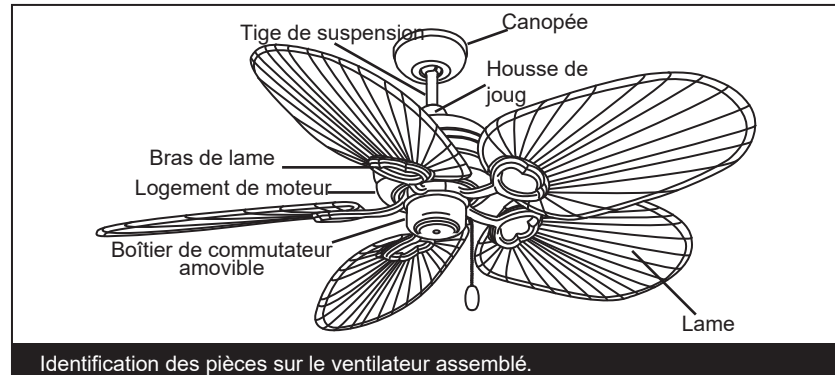
| | | | |
|--|--|--|------------------------------|
| | PAQUETE DE AIRE TROPICO CONTENIDO | | |
| | 1 | Juego de cuchillas de 5 | BL901952Fxx |
| | 2 | Support de suspension | CA901952Fxx |
| | 3 | Auvent de plafond et anneau de garniture | |
| | 4 | Housse de protection contre l'humidité de la balle | Dans un sac de quincaillerie |
| | 5 | Ensemble tige / boule | DR94016Fxx |
| | 6 | Housse de joug | YC901952Fxx |
| | 7 | Boîtier de ventilateur avec moteur * Retirez les supports d'expédition en caoutchouc autour du moteur, s'ils sont inclus sur votre ventilateur. Enregistrer les vis | X |
| | 8 | Plaque de montage | X |
| | 9 | Boîtier de commutateur amovible | SWH901952Fxx |
| | 10 | Ensemble de 5 bras de lame | BLI901952Fxx |
| 11 | Sac de matériel | | |
| | Tirez la chaîne avec la poignée, matériel de support de montage (vis à bois, vis, rondelles de blocage, rondelles, écrous de câble), vis de bras feuille à feuille et rondelles en caoutchouc, Kit d'équilibre | MH901952Fxx | |
| Finition ventilateur-XX | | | |
| <p>REMARQUE: La conception des pièces illustrées ci-dessus peut être légèrement différente pour votre modèle de ventilateur spécifique.</p> | | | |

PRÉPARATION

PRÉPARATION:

Vérifiez que vous disposez de toutes les pièces avant de commencer l'installation. Vérifiez soigneusement l'insert en mousse pour les pièces manquantes. Retirez le moteur de l'emballage. Pour éviter d'endommager la finition, assemblez le moteur sur une surface rembourrée ou utilisez l'insert en mousse d'origine dans le boîtier du moteur.

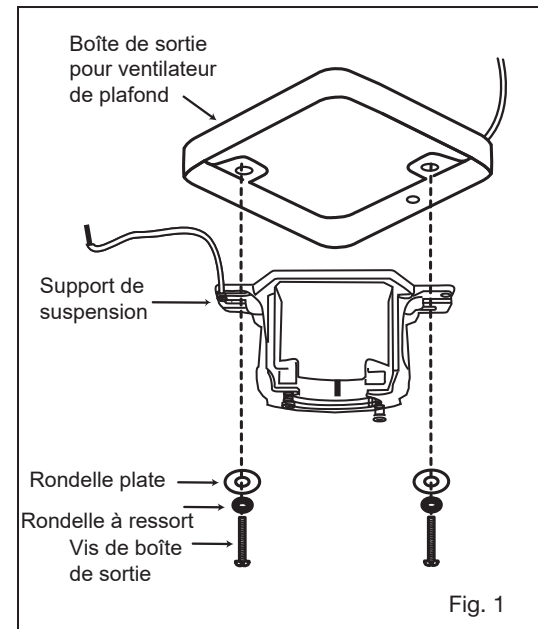
NE POSEZ PAS DE LOGEMENT DE MOTEUR SUR LE CÔTÉ, CELA POURRAIT ENTRAÎNER LE DÉPLACEMENT DU MOTEUR DANS LE BOÎTIER DÉCORATIF.



INSTALLATION DU SUPPORT DE SUSPENSION

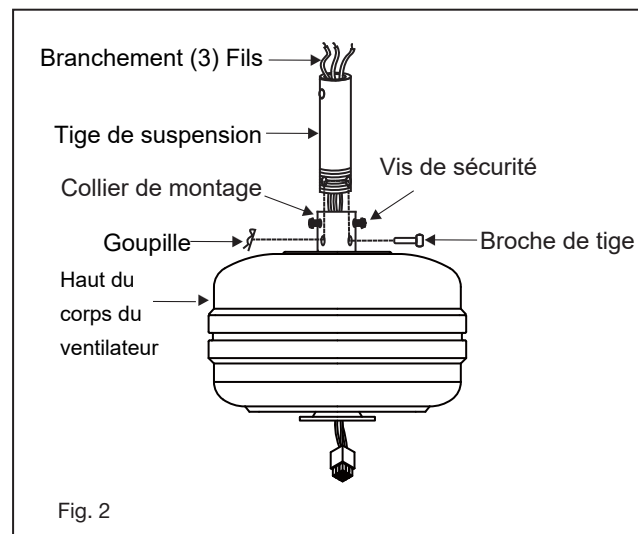
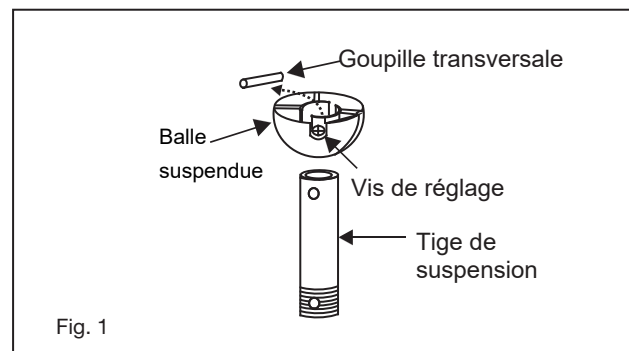
ATTENTION: pour éviter tout choc électrique, assurez-vous que l'électricité est coupée sur le boîtier d'alimentation principal avant le câblage. Tout le câblage doit être conforme aux codes électriques nationaux et locaux et le ventilateur de plafond doit être mis à la terre par mesure de précaution contre un éventuel choc électrique.

- 1 Localisez la solive de plafond où le ventilateur doit être monté, en étant sûr que l'emplacement est conforme aux exigences de la section de dégagement minimum de ce guide. Les solives en bois doivent être solides et de taille adéquate pour supporter 35 livres (voir page 2, articles 3 et 4).
- 2 Si ce n'est pas déjà fait, montez une boîte de sortie homologuée UL marquée "convenant au support de ventilateur" en suivant les instructions fournies avec la boîte de sortie. La boîte de sortie doit pouvoir supporter un minimum de 35 livres.
- 3 Retirez l'auvent du support de suspension. Retirez l'anneau de garniture à verrouillage par rotation en tournant dans le sens antihoraire. Retirez la vis du capot qui n'a pas de fente pour clé dans le capot. Desserrez la vis avec la fente pour clé et retirez la verrière.
- 4 Fixez le support de suspension au boîtier de sortie à l'aide des vis fournies avec le boîtier de sortie.



ACCROCHER LE VENTILATEUR

- 1 Retirez la balle de la tige de suspension en desserrant la vis de réglage sur le côté de la balle. Faites glisser la balle vers le bas et retirez la goupille; retirer la balle. (Fig. 1)
- 2 Soutenez soigneusement le corps du ventilateur (moteur) dans son emballage en mousse de polystyrène avec le collier de montage (où les fils sortent) vers le haut.
- 3 Desserrez les deux vis de sécurité et retirez la goupille de la tige de suspension et le clip de retenue de l'accouplement sur le dessus de l'ensemble moteur. (Fig.2)
- 4 Faites passer soigneusement les fils électriques du ventilateur à travers la tige de suspension. Vissez la tige de suspension dans le coupleur jusqu'à ce que les trous s'alignent. Insérez la goupille de la tige de suspension dans les trous du collier de montage et de la tige de suspension; clipser la goupille fendue dans le petit trou à l'extrémité de la goupille de la tige pour maintenir la tige en place.
- 5 Serrez les vis de sécurité contre la tige de suspension à l'aide d'un grand tournevis à lame plate pour assurer un ajustement serré contre la tige de suspension. Serrez les écrous contre le collier de montage.



N'OUBLIEZ PAS de couper l'alimentation avant de commencer.

Pour installer correctement votre ventilateur de plafond, suivez les étapes ci-dessous.

- 6 Glissez le couvercle de l'étrier, l'anneau de garniture et la verrière sur la tige de suspension. (Fig.3)
- 7 Faites glisser la boule de suspension sur la tige de suspension, insérez la goupille transversale à travers la tige de suspension et serrez. Serrez la vis de réglage.
- 8 Faites passer les fils à travers les trous du capuchon d'humidité de la bille en caoutchouc et faites glisser le capuchon vers le bas sur le dessus de la bille. (Fig.3)
- 9 Soulevez la boule / tige de suspension / ventilateur dans l'ouverture du support de suspension. **REMARQUE:** la languette opposée à l'ouverture du support de suspension doit s'insérer dans la fente de la boule. (Fig.4)

REMARQUE:

6 pieds de fil conducteur sont fournis sur le ventilateur pour une utilisation avec des tiges de suspension plus longues.

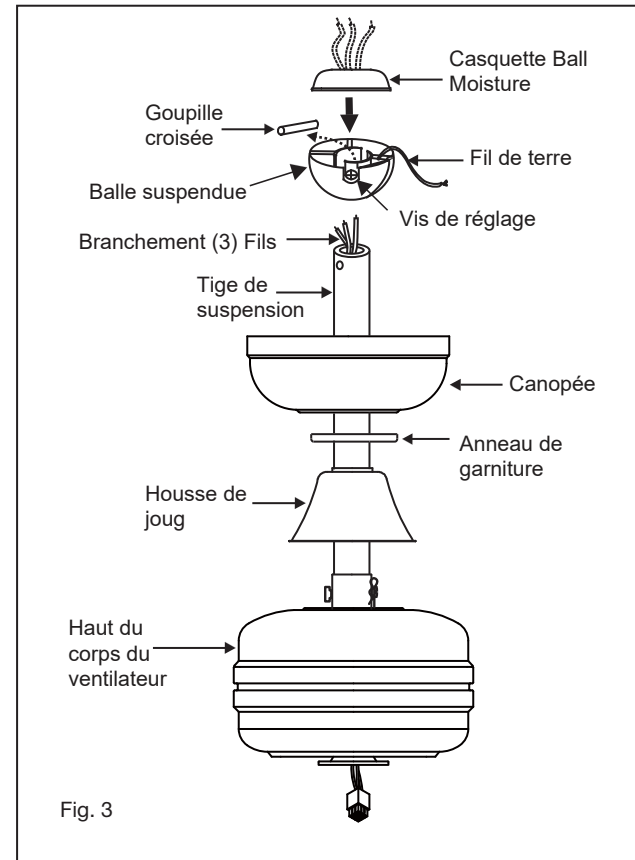


Fig. 3

INSTALLATION DU SUPPORT DE CÂBLE DE SÉCURITÉ

Fixez la vis à bois et la rondelle plate à la solive de plafond comme illustré (ne serrez pas complètement). Faites glisser le serre-câble sur le câble de sécurité du ventilateur. Enroulez le câble de sécurité autour de la vis à bois qui vient d'être fixée à la solive de plafond. Insérez l'extrémité du câble dans la pince et tirez autant de câble que possible. Serrez fermement la vis du collier. Coupez l'excédent de câble.

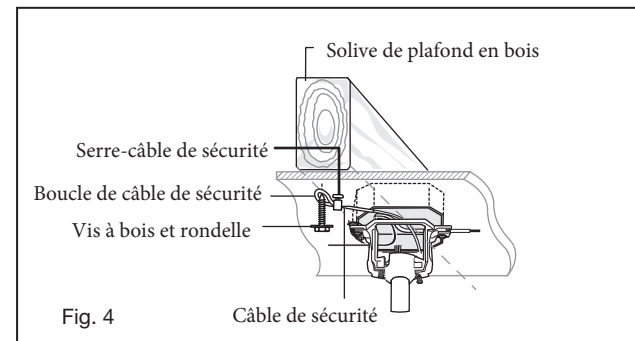


Fig. 4

CONNEXIONS ELECTRIQUES

REMARQUE: un ventilateur par circuit d'alimentation.

AVERTISSEMENT:

Pour éviter tout choc électrique, assurez-vous que l'électricité est coupée au niveau du fusible principal ou du coffret de disjoncteurs avant le câblage.

- 1 Connectez les fils d'alimentation du ventilateur (noir) et de lumière (bleu) au fil d'alimentation domestique noir, comme illustré à la figure 1.
- 2 Connectez le fil neutre du ventilateur (blanc) au fil blanc neutre du ménage (Figure 1).
- 3 Une fois toutes les épissures effectuées, vérifiez qu'il n'y a pas de brins lâches. Comme précaution supplémentaire, nous suggérons de fixer les connecteurs de fils en plastique aux fils avec du ruban électrique.

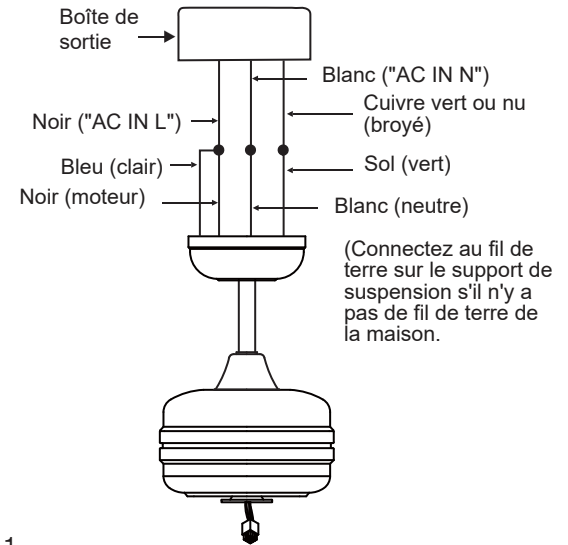
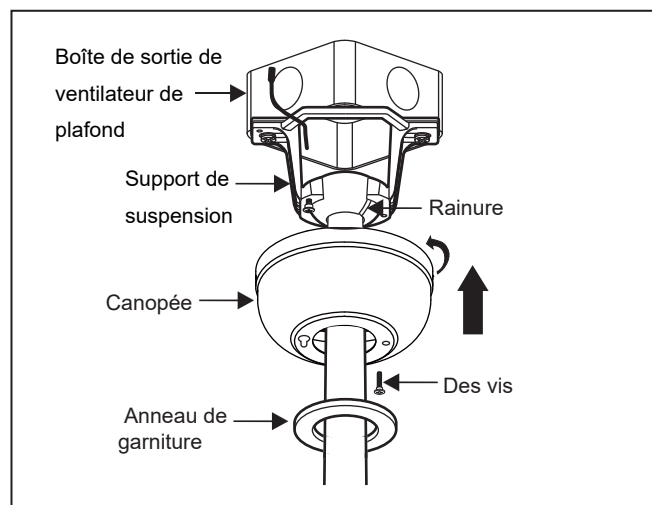


Fig. 1

FIN DE L'INSTALLATION

- 1 Rentez soigneusement les connexions dans la boîte de sortie au plafond.
- 2 Faites glisser la verrière jusqu'au support de montage et placez le trou de clé sur la verrière sur la vis du support de montage, tournez la verrière jusqu'à ce qu'elle se verrouille en place dans la section étroite des trous de clé.
Alignez le trou circulaire sur l'auvent avec le trou restant sur le support de montage, fixez en serrant les deux vis de réglage.
- 3 **REMARQUE:** Ajustez les vis de la verrière au besoin jusqu'à ce que la verrière et l'anneau de garniture soient bien ajustés.



AVERTISSEMENT:

Assurez-vous que le crochet du support de suspension repose correctement dans la rainure de la boule de suspension avant de fixer la verrière au support en tournant le boîtier jusqu'à ce qu'il tombe en place.

ATTACHEMENT DE LAME

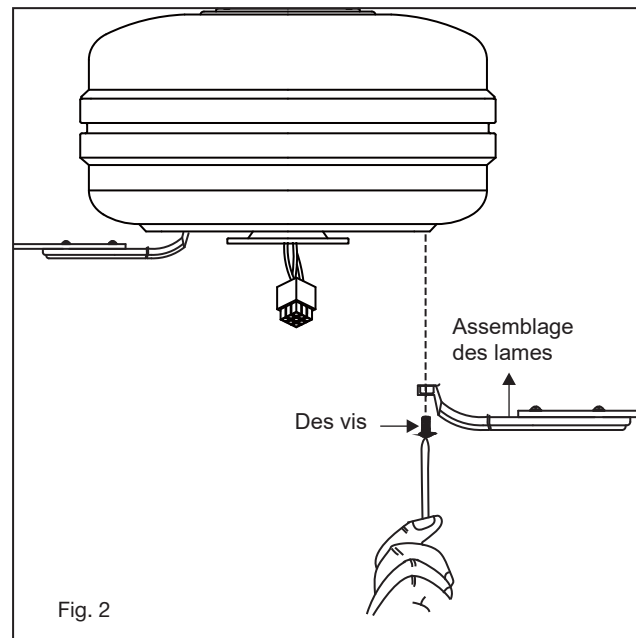
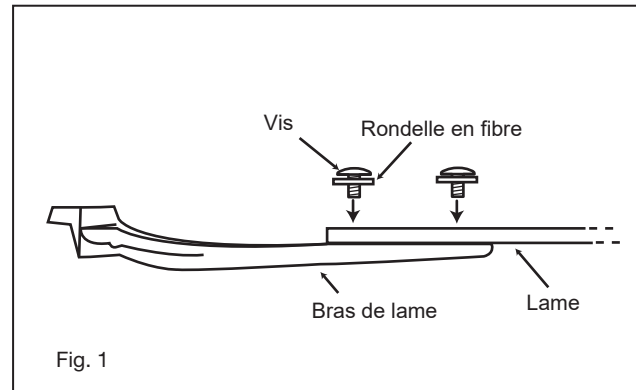
REMARQUE: retirez tous les supports en caoutchouc installés pour l'expédition

AVERTISSEMENT: le moteur du ventilateur est livré avec des supports de garniture en caoutchouc pour empêcher tout mouvement pendant le transport. Retirez les cinq supports en caoutchouc de l'ensemble du moteur du ventilateur et jetez-les avant de fixer les bras de pale.

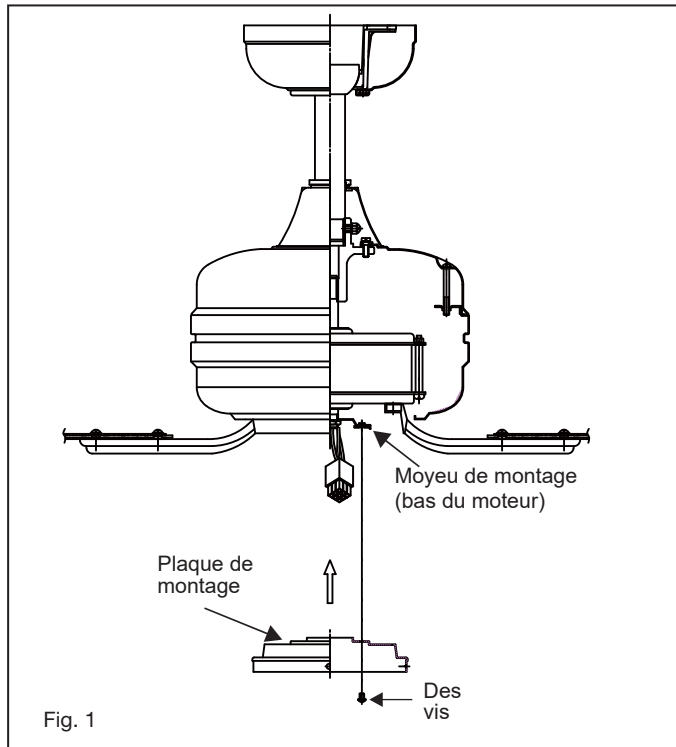
- 1 Placer la rondelle en caoutchouc sur la vis. Insérez cet assemblage dans la lame et démarrez la vis dans le bras de la lame. Répétez cette procédure sans serrer la vis jusqu'à ce que les 3 vis aient été mises en place dans le bras de la lame (Fig. 1).
- 2 Serrez chaque vis en commençant par la vis centrale.
- 3 Fixez l'assemblage de la lame au moteur avec les vis fournies et verrouillez les rondelles de blocage. Répétez la procédure pour les autres lames (Fig. 2). Assurez-vous que les vis sont **SERRÉES!** Des vis de moteur desserrées peuvent contribuer à un ronflement inutile pendant le fonctionnement.

REMARQUE:

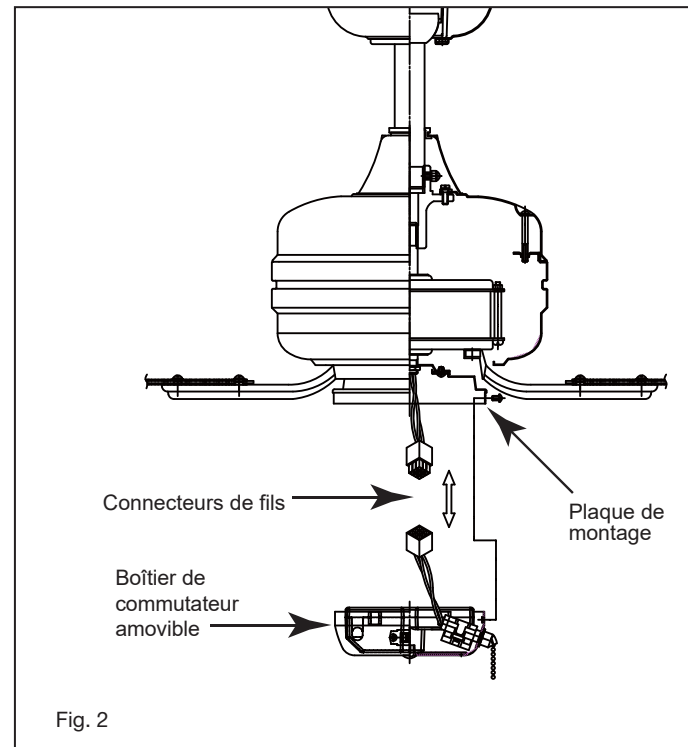
Les tournevis électriques sans fil **NE SONT PAS** recommandés, car ils dénudent généralement la tête des vis et ne compressent généralement pas complètement les rondelles de blocage sur les vis du moteur. Utilisez un grand tournevis à lame plate pour un serrage final afin de comprimer complètement les rondelles. Cela aidera à assurer un alignement correct des lames et un fonctionnement sans bruit et sans vacillement..



INSTALLATION D'UN BOÎTIER DE COMMUTATEUR AMOVIBLE



- 1 Retirez 1 des 3 vis du moyeu de montage et conservez-la pour une utilisation future. Desserrez les 2 autres vis. (Ne pas enlever)
- 2 Placez les trous de clé sur la plaque de montage sur les 2 vis précédemment desserrées du moyeu de montage, tournez la plaque de montage jusqu'à ce qu'elle se verrouille en place dans la section étroite des trous de clé. Fixez en serrant les 2 vis précédemment desserrées et celle précédemment retirée. (Figure 1)



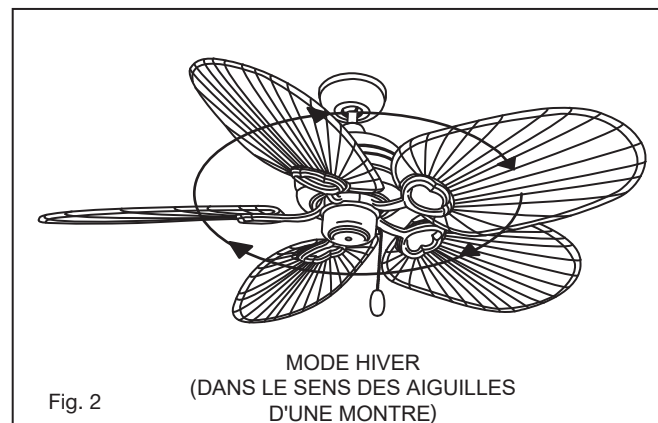
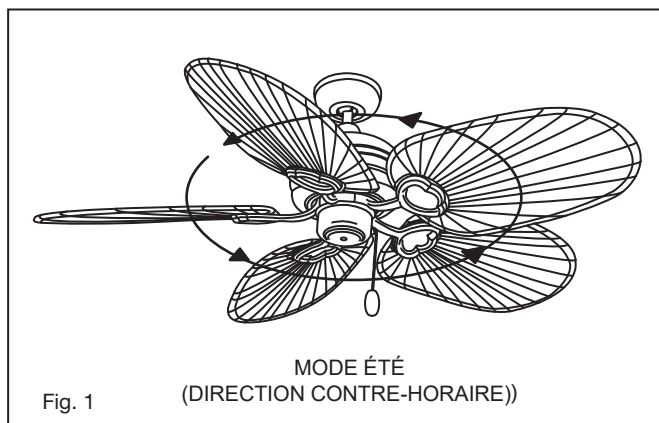
- 1 Retirez 1 des 3 vis de la plaque de montage et desserrez les 2 autres vis. (Ne pas enlever)
- 2 Soulevez et maintenez le boîtier du commutateur amovible près de la plaque de montage et poussez les connecteurs à fils carrés ensemble. (Fig.2)
- 3 Placez les trous de clé sur le boîtier du commutateur amovible sur les 2 vis précédemment desserrées de la plaque de montage, tournez le kit d'éclairage jusqu'à ce qu'il se verrouille en place dans la section étroite des trous de clé. Fixez en serrant les 2 vis précédemment desserrées et celle précédemment retirée. (Fig.2)

OPÉRATION

- 1 Turn on the power and check operation of the fan. The fan is controlled by the use of the pull chain as follows:
 1. une traction = haute vitesse
 2. deux tractions = vitesse moyenne élevée
 3. trois tractions = vitesse moyenne
 4. quatre tractions = basse vitesse
 5. cinq tractions = off
- 2 Pour un fonctionnement correct, assurez-vous que la chaîne est complètement abaissée et libérée à chaque fois.
REMARQUE: Laissez l'interrupteur à chaîne à tirette en position «haute vitesse» lorsque vous utilisez la commande murale en option
- 3 L'interrupteur coulissant sur le côté du boîtier de l'interrupteur commande la rotation avant ou arrière. N'est pas coïncidé entre les positions avant et arrière.
- 4 **IMPORTANT:** pour éviter tout dommage ou blessure, assurez-vous que le ventilateur est réglé sur 0 et que les pales soient complètement arrêtées avant d'essayer de changer le sens de rotation.

Fonctionnement en mode été et en mode hiver

- 5 Mode été (avant): Un flux d'air VERS LE BAS crée un effet de refroidissement comme la montre la figure 1. Cela vous permet de régler votre climatiseur sur un réglage plus chaud sans affecter votre confort.
Mode hiver (marche arrière):
- 6 Un flux d'air VERS LE HAUT déplace l'air plus chaud de la zone du plafond comme illustré à la figure 2. Cela vous permet de régler votre unité de chauffage sur un réglage plus frais sans affecter votre confort.



ENTRETIEN ET NETTOYAGE

Périodiquement, il peut être nécessaire de resserrer les vis de la lame sur le bras de la lame ou du bras de la lame sur les vis du moteur pour éviter les cliquetis ou les bourdonnements pendant le fonctionnement. Cela est particulièrement vrai dans les climats avec de larges plages de température et d'humidité.

Lors de l'époussetage des lames, vous devez soutenir la lame pour éviter qu'elle ne se plie - aucune pression ne doit être appliquée sur les lames. Si vous rencontrez des défauts dans le fonctionnement de votre ventilateur, veuillez vérifier les points suivants.

DÉPANNAGE

MISE EN GARDE:

Coupez l'alimentation électrique avant d'effectuer l'une de ces vérifications

PROBLÈME

SOLUTION

LE VENTILATEUR
NE DÉMARRE PAS

1. Vérifiez les fusibles ou les disjoncteurs du circuit.
2. Vérifiez le voyant lumineux de la commande murale. Si la LED n'est pas allumée en appuyant sur un bouton, elle ne transmet pas de signal. Veuillez vérifier l'alimentation de la commande murale / du disjoncteur et de toutes les connexions électriques.
3. Assurez-vous qu'il n'y a pas plus de 2 ventilateurs fonctionnant sur un circuit via la commande murale. Assurez-vous qu'il n'y a pas plus de 12 ventilateurs fonctionnant sur un circuit via un interrupteur mural marche / arrêt ou un disjoncteur (pas via une commande murale).
4. Assurez-vous que le ventilateur se trouve à portée du WiFi (150 pi) ou de la commande murale (30 pi).
5. Assurez-vous qu'un seul ventilateur est installé dans le circuit d'alimentation.

FAN SONS BRUIT

1. Accordez une période de rodage de 24 heures. La plupart du bruit associé à un nouveau ventilateur disparaîtra pendant ce temps.
2. Assurez-vous que toutes les vis du boîtier du moteur sont bien fixées.
3. Assurez-vous que les vis qui fixent la lame du ventilateur au ventilateur sont bien serrées.
4. Assurez-vous que votre boîtier de plafond est sécurisé et que des coussinets isolants en caoutchouc sont utilisés entre le support de montage et le boîtier de sortie.

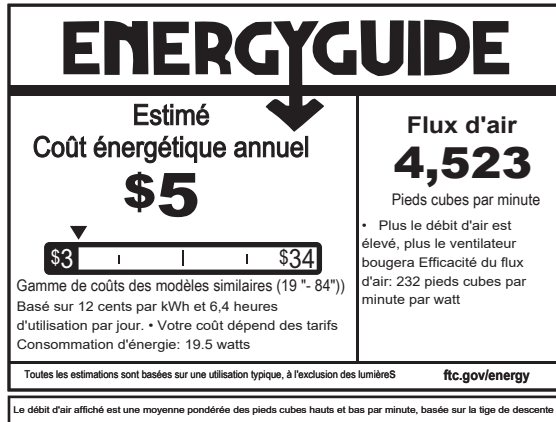
VENTILATEURS
WOBBLES

1. Vérifiez que toutes les vis de lame et de bras de lame sont bien fixées.
2. Si l'oscillation de la lame est toujours perceptible, l'échange de deux lames adjacentes (côte à côte) peut redistribuer le poids et éventuellement entraîner un fonctionnement plus fluide.
3. Vérifiez que toutes les tiges de fixation du matériel du moteur et / ou de la boule de suspension sont bien serrées.
4. Assurez-vous que le boîtier de plafond est sécurisé.

GUIDE ÉNERGÉTIQUE

CARACTÉRISTIQUES

PERFORMANCE MOYENNE ET INFORMATIONS ÉNERGÉTIQUES



| SPÉCIFICATIONS DE PERFORMANCE | LA NORME | |
|------------------------------------|---------------|----------------|
| | HAUTE VITESSE | FAIBLE VITESSE |
| Débit d'air (CFM) | 6345 | 2459 |
| Consommation d'énergie (watts) | 29.9 | 4.6 |
| Efficacité du flux d'air (CFM / W) | 212 | 535 |
| Coûts énergétiques (annuels) | \$8 | \$1 |
| Amplis | 0.39 | 0.09 |
| RPMs | 141 | 52 |

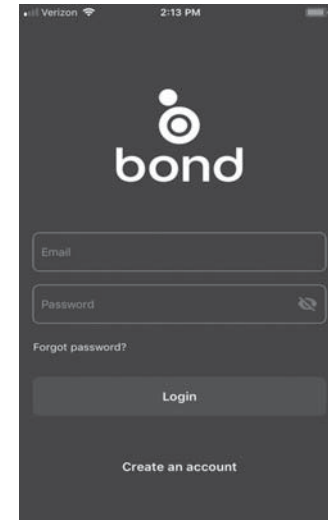
SMART BY BOND

OPTIONS DE VENTILATEUR HINKLEY SMART:

En plus du contrôle mural inclus, vous pouvez contrôler votre ventilateur Hinkley via l'application Bond.

- Pour utiliser l'application, téléchargez-la gratuitement depuis l'App Store ou Google Play.
- Ouvrez l'application pour créer votre compte. Vous pouvez également vous connecter avec votre compte Facebook ou Google.
- Ensuite, configurez une connexion WiFi. Vous aurez besoin du SSID et du mot de passe WiFi pour le réseau auquel vous souhaitez vous connecter.
- Vous serez invité à choisir la finition de votre ventilateur et à nommer votre périphérique de ventilateur.
- L'application vous guidera à travers l'écran principal et vous montrera comment modifier la vitesse des ventilateurs, atténuer la lumière, régler les minuteries ou utiliser le mode brise.

REMARQUE: 2 ventilateurs maximum peuvent fonctionner sur un circuit via la commande murale. Un maximum de 12 ventilateurs peuvent fonctionner sur un circuit via un interrupteur marche / arrêt ou un disjoncteur lors de l'utilisation de l'application pour la commande du ventilateur (sans la commande murale dans le circuit).



<https://bondhome.io/app>

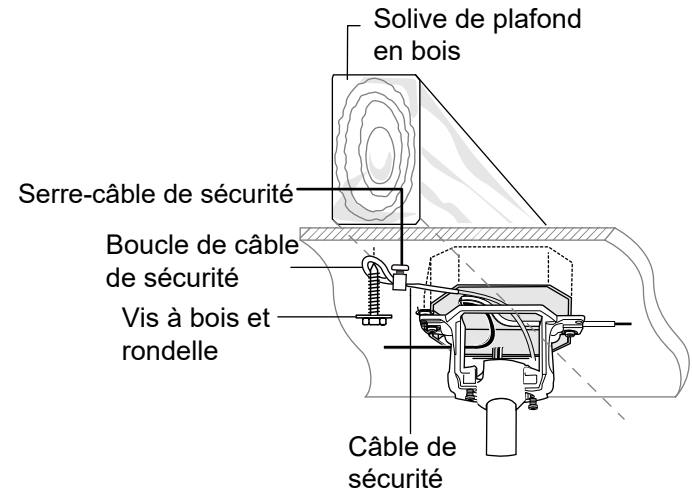
HINKLEY EST FIÈRE DE VOUS FOURNIR DES PRODUITS DE VENTILATEUR DE PLAFOND QUI AMÉLIORENT VOTRE ESPACE AVEC CONFORT, OBJECTIF ET STYLE. EN TANT QU'ENTREPRISE FAMILIALE, NOUS NOUS ENGAGEONS À CONCEVOIR, PERFORMANCE ET QUALITÉ, ET CE QUI EST IMPORTANT POUR VOUS EST PARAMOUNT POUR NOUS.

POUR UN ASSORTIMENT COMPLET DE NOS PRODUITS ET LIVRES DE SOURCE, VISITEZ [HINKLEY.COM](https://www.hinkley.com).

HINKLEY

INSTALLATION DE LA SÉCURITÉ SUPPORT DE CÂBLE

Fixez la vis à bois et la rondelle plate à la solive de plafond comme illustré (ne serrez pas complètement). Faites glisser le serre-câble sur le câble de sécurité du ventilateur. Enroulez le câble de sécurité autour de la vis à bois qui vient d'être fixée à la solive de plafond. Insérez l'extrémité du câble dans la pince et tirez le plus de câble possible. Serrez fermement la vis du collier. Coupez l'excédent de câble.



HINKLEY

GLOBAL HEADQUARTERS

33000 Pin Oak Parkway | Avon Lake, Ohio 44012

T (440) 653 5500 | F (440) 653 5555 | hinkley.com