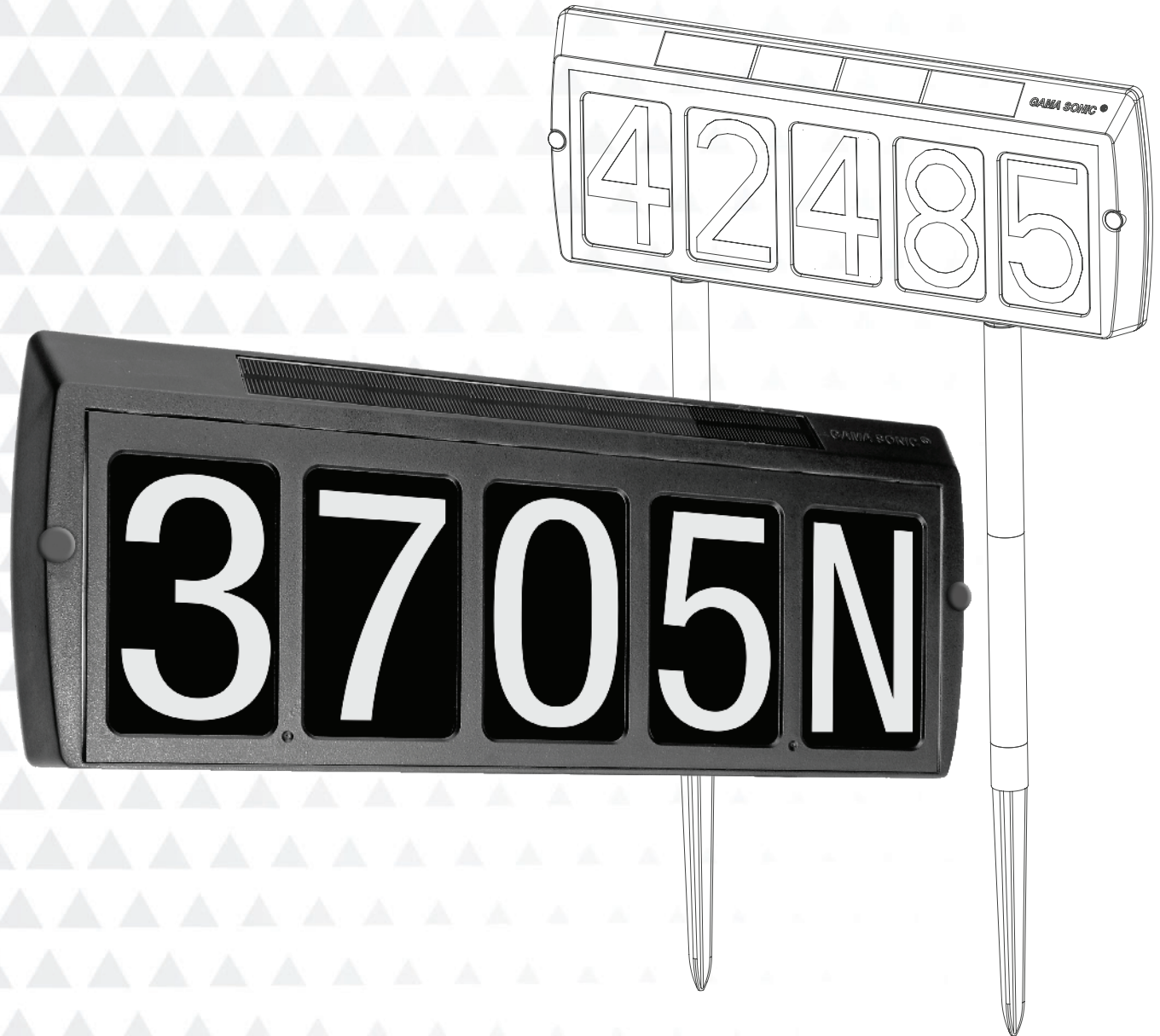


**GAMA SONIC®**

**SOLAR LIGHTING**



## **SOLAR ADDRESS SIGN WITH DUAL COLOR LEDS**

Part #: 80i90081

US Patent #7478919

Version 1.1

 Please read the instruction manual carefully to obtain the best results from your purchase.

**Thank you for your purchase! GAMA SONIC®** solar charged lights are brighter and last all night with a typical solar charge. Unique design, superior light output and numerous installation options confirm the outstanding value of our product. GAMA SONIC® has been recognized as a worldwide leader in the lighting industry for over 20 years.

**Technical Assistance/Warranty Claims/Replacement Parts**  
**Toll Free Number: +1-800-835-4113 (only within the US) or [www.gamasonic.com](http://www.gamasonic.com)**

**Visit our website or download the latest version of your instruction manual:**  
**[www.gamasonic.com](http://www.gamasonic.com) or [www.gamasonic.com/user-guides](http://www.gamasonic.com/user-guides)**

## Gama Sonic's Solar Address Sign

Gama Sonic's Solar Address Sign allows you to have your address number visible day or night. With two color temperature options, you can pick the color to illuminate your address throughout the night making it easy for guests to find your home.

## 1. Solar Lamp Location

For optimum light duration throughout the night, it is very important to mount your address sign in a spot where it will receive the maximum amount of direct sunlight throughout the day.

## 2. What's in the Box

A - Address Sign

B - Caps

C - Adapter

D - Pole

E - Stake

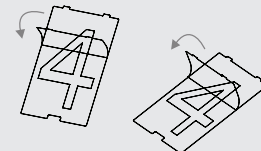
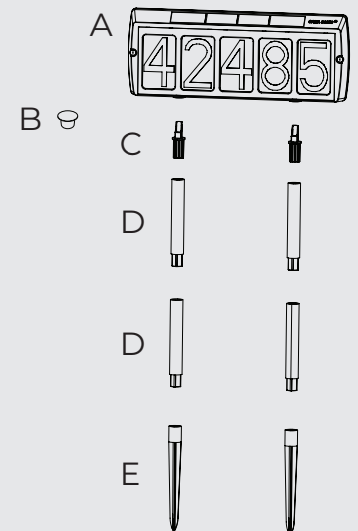
Hardware

Numbers:

3 pcs each of 0-9

1 each of N,S,E,W

2 blank pieces



For best results, the solar light must be charged in the "ON" position (High or Low) for at least 2 days of full direct sunlight.

### 3. Assembly Instructions

#### Number installation.

- Using a flat head screwdriver, push into the flat openings at the bottom of the address sign (A). This will cause the frame to open and it can be removed.
- Choose the desired number/letter combination needed and peel off the clear protective film covering each piece (use blank pieces if your address is less than 5 digits).
- Place each piece in the sign.

**NOTE:** make sure the two tabs are facing up and the relief cut is facing down.

- Replace the frame by inserting the top part first and then pushing down on the bottom to lock the tabs in place.

#### Wall Mount

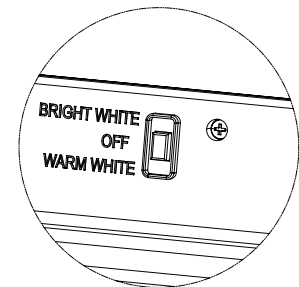
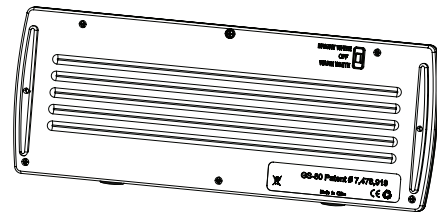
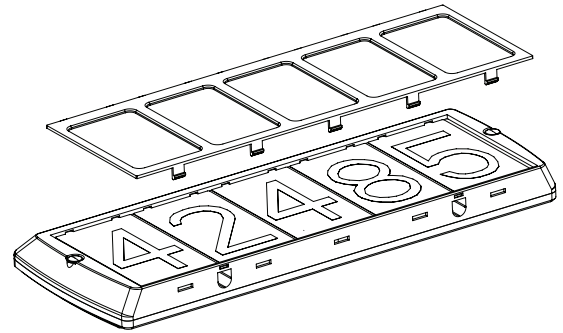
- Find the desired mounting location that will get the most amount of direct sunlight.
- Using the address sign (A) as a template, mark the two holes located on the sides of the sign.
- Using a drill, drill two holes no larger than the size of the anchors and insert the anchors in the holes.
- Turn the lamp on by selecting the desired LED color using the switch on the back.
- Align the address sign (A) with the anchors and secure using the provided screws.
- Place the caps (B) over the opening to the screws.

#### Stake Mount

- Assemble the poles (D) to the stakes (E) by pushing them together.
- NOTE:** When assembling the two pole sections, you have the option to use one or two poles (D) to achieve the desired height of the sign.
- Insert the adapter (C) to the top of the poles (D) and attach them to the address sign (A) by pushing together.
  - Place the caps (B) over the opening to the two screw holes on the sides of the sign.
  - Push the stakes (E) into the ground in the desired location that will receive the most amount of direct sunlight.
  - Turn the lamp on by selecting the desired LED color using the switch on the back.

### 4. Operation Instructions

- Turn the address sign ON by moving the switch to the desired LED color setting.
  - Bright White = 6000k cool white color
  - Warm White = 3100k warm white color
- Your address sign will turn on automatically at dusk.



### 5. Replacement Parts

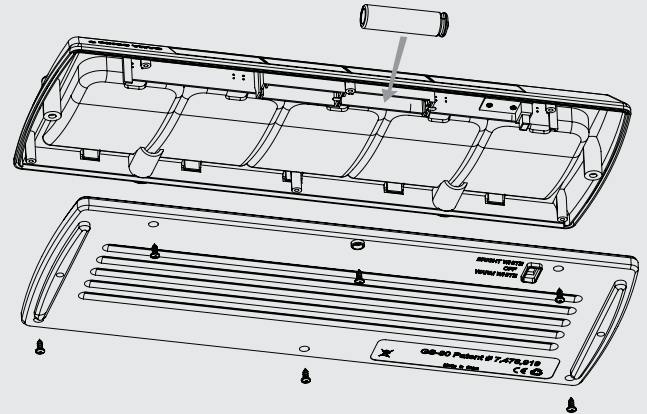
Replacement batteries can be purchased at any store that sells AA Rechargeable batteries.

Your Lamp uses the following battery:  
AA Rechargeable Battery 1.2V/1000mAh



After several years of use, the battery may need replacing.

- Remove the address sign (A) from the wall or stake and switch the lamp to the off position.
- Remove the six screws from the back of the address sign (A) and remove the back cover.
- Remove the existing battery from the slot.
- Install a new 1.2V/1000mAh AA Rechargeable battery.  
**NOTE:** The new battery must be a rechargeable battery.
- Replace the cover and secure with the six screws.
- Turn the lamp on by selecting your desired LED color and re-install the address sign (A) to the wall or stake.



Replacement batteries can be purchased at any store that sells AA Rechargeable batteries.

## Maintenance

Clean the solar panels regularly with a damp towel to guarantee optimum performance. Do not use any type of solvent for cleaning and be careful not to put too much pressure on the solar panels while cleaning.

## Troubleshooting

If your solar light does not come on as expected despite observance of all the instructions, please try the following steps:

1. Make sure that the solar lamp is not being affected by any other light source.
2. Ensure the solar lamp is not positioned in the shade during the day.
3. Check that the batteries are installed correctly.

**NOTE:** The performance of the solar lamp will vary with the time of year. It will last longer when it has had a full day in the sun rather than a day in overcast weather.



**WINTERTIME TIPS:** For optimal performance, be sure to remove any snow or debris accumulation from solar panel(s). A solar panel free of debris will charge the batteries much more efficiently.

**WARNING:** Please keep out of reach of children. Do not dispose of the Li-Ion battery in the regular trash, municipal waste stream or by fire as batteries may leak or explode. Do not open, short circuit, or mutilate batteries as injury may occur. Preserve our environment by recycling Li-Ion batteries or disposing of them in accordance with local, State and federal regulations. Do not mix old and new batteries.

