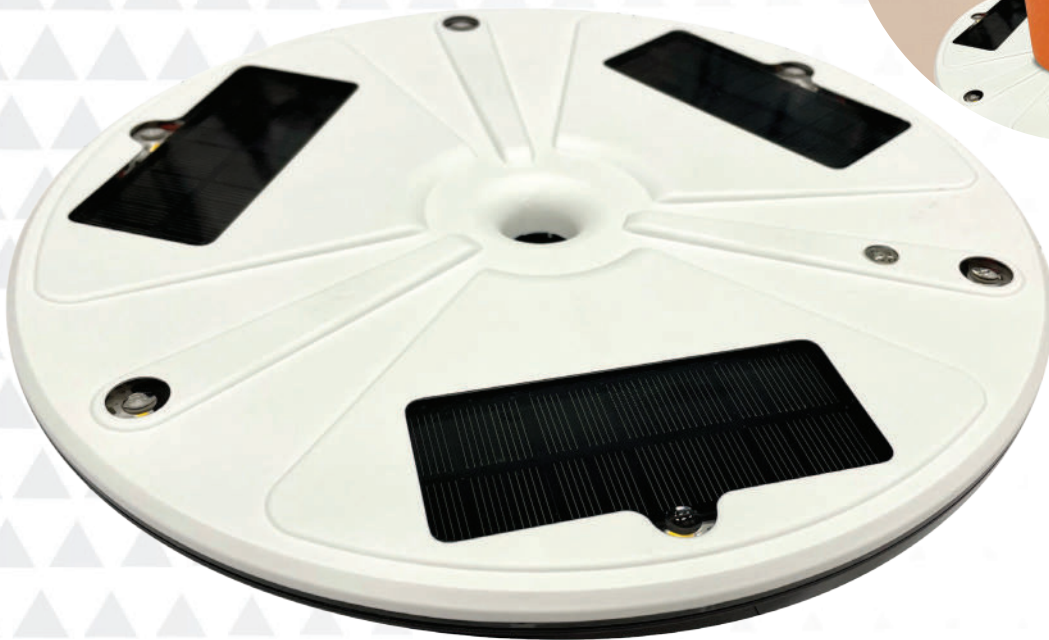


GAMA SONIC[®]

SOLAR LIGHTING



Solar Uplight Planter Base

Part #: 77i50265

 Please read the instruction manual carefully to obtain the best results from your purchase.

Thank you for your purchase! GAMA SONIC® solar charged lights are brighter and last all night with a typical solar charge. Unique design, superior light output and numerous installation options confirm the outstanding value of our product. GAMA SONIC® has been recognized as a worldwide leader in the lighting industry for over 20 years.

Technical Assistance/Warranty Claims/Replacement Parts
Toll Free Number: +1-800-835-4113 (only within the US) or www.gamasonic.com

Visit our website or download the latest version of your instruction manual:
www.gamasonic.com or www.gamasonic.com/user-guides

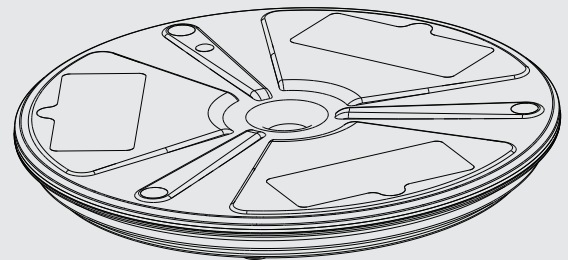
Gama Sonic's Uplight Planter Base

Gama Sonic's Uplight Planter Base provides a unique way to display your plants at night. The three solar panels absorb energy from the sun throughout the day and the plant is lit from below by six LED's when the sets.

Solar Lamp Location

For optimum light duration throughout the night, it is very important to place your solar lamp in a spot where it will receive the maximum amount of direct sunlight throughout the day. Please note that large planters or plants that cover the solar panels may affect the amount of night time light your product is able to produce.

What's in the Box

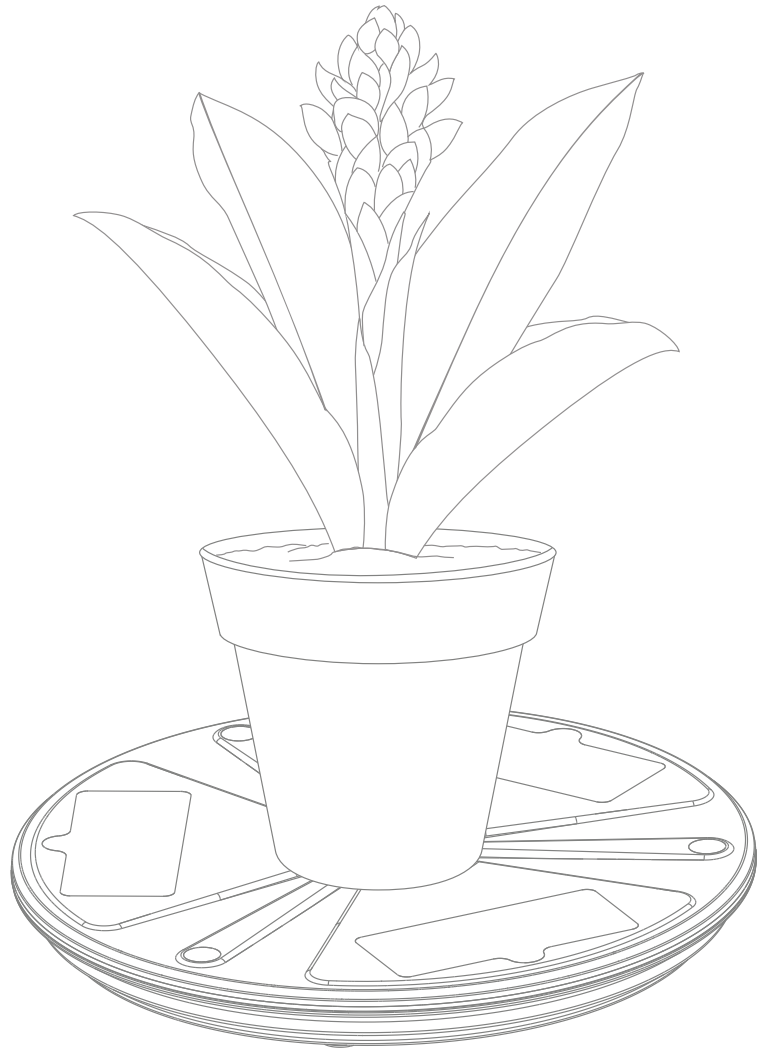
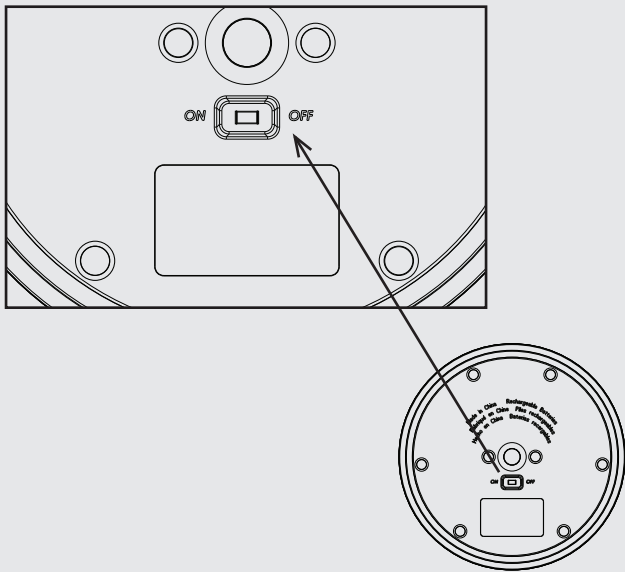


For best results, the solar light must be charged in the "ON" position (High or Low) for at least 2 days of full direct sunlight.

Operation Instructions

1. On the bottom of the lamp, move the ON/OFF switch to the ON position
2. Place the lamp in its desired location ensuring it is open to direct sunlight.
3. Place your pot/planter on the light and ensure the solar panels are not obstructed from direct sun exposure.

Your lamp will turn on automatically at dusk.

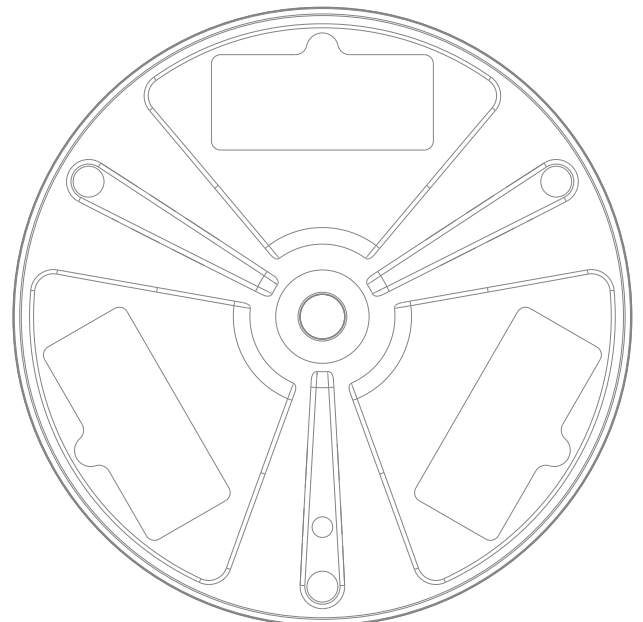


Replacement Parts

Replacement batteries are available at www.gamasonic.com or via our Toll Free number: +1-800-835-4113.

Your lamp uses the following battery:

SB37V20



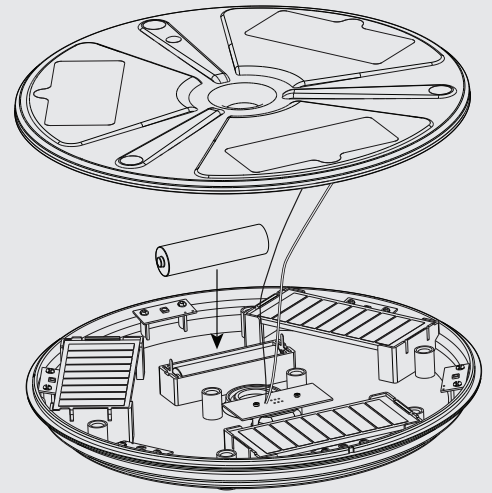


Replacing the Batteries

GAMA SONIC®
SOLAR LIGHTING

After several years of use, the battery may need replacing.

1. Remove the pot/planter, turn the lamp upside down and move the switch to the OFF position.
2. Remove the 8 rubber feet from the bottom of the lamp.
3. Remove the 8 screws holding the lamp together.
4. Partially separate the two sections so you can reach the battery (NOTE: the two sections will not be able to fully separate)
5. Remove the old battery and install the new one. Make sure the negative (-) end of the battery is against the spring. The new battery should be a rechargeable Li-Ion 3.7V 2000mAh (Item# SB37V20)
6. Re-assemble the lamp by reversing steps 1-4.



Replacement Batteries and Bulbs are available at
www.gamasonic.com

Maintenance

Clean the solar panels regularly with a damp towel to guarantee optimum performance. Do not use any type of solvent for cleaning and be careful not to put too much pressure on the solar panels while cleaning.

Troubleshooting

If your solar light does not come on as expected despite observance of all the instructions, please try the following steps:

1. Make sure that the solar lamp is not being affected by any other light source.
2. Ensure the solar lamp is not positioned in the shade during the day.
3. Check that the batteries are installed correctly.

NOTE: The performance of the solar lamp will vary with the time of year. It will last longer when it has had a full day in the sun rather than a day in overcast weather.



WINTERTIME TIPS: For optimal performance, be sure to remove any snow or debris accumulation from solar panel(s). A solar panel free of debris will charge the batteries much more efficiently.

WARNING: Please keep out of reach of children. Do not dispose of the Li-Ion battery in the regular trash, municipal waste stream or by fire as batteries may leak or explode. Do not open, short circuit, or mutilate batteries as injury may occur. Preserve our environment by recycling Li-Ion batteries or disposing of them in accordance with local, State and federal regulations. Do not mix old and new batteries.

