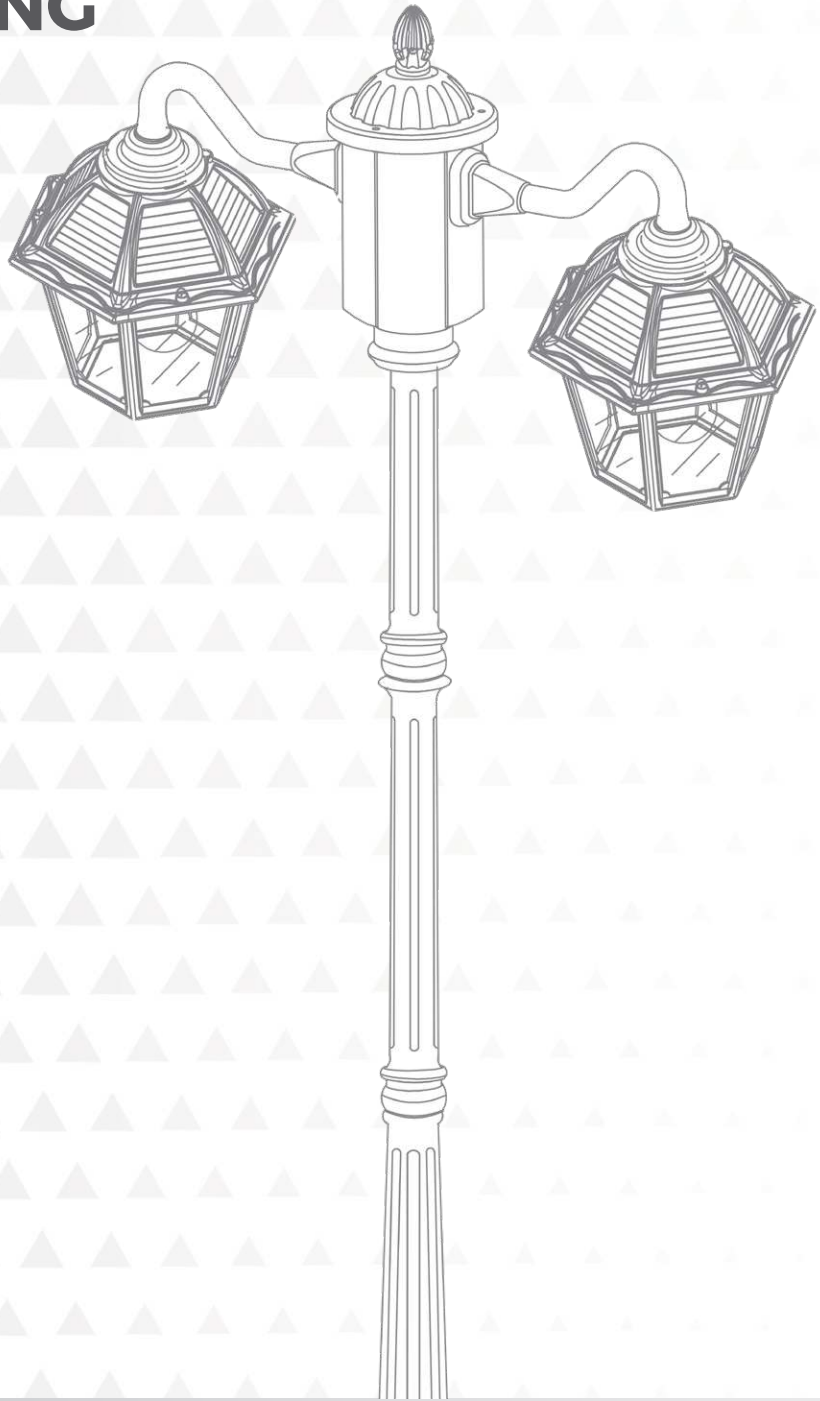


# **GAMA SONIC<sup>®</sup>**

## **SOLAR LIGHTING**



# **POLARIS DOUBLE HEAD SOLAR LAMP POST**

Part # 177B50002

US patent # 9458970 / Version 1.1



Please read the instruction manual carefully to obtain the best results from your purchase.

**Thank you for your purchase! GAMA SONIC®** solar charged lights are brighter and last all night with a typical solar charge. Unique design, superior light output and numerous installation options confirm the outstanding value of our product. **GAMA SONIC®** has been recognized as a worldwide leader in the lighting industry for over 20 years.

Technical Assistance / Warranty Claims / Replacement Parts  
Toll-Free number: +1-800-835-4113 (only within the US) or [www.gamasonic.com](http://www.gamasonic.com)

Visit our website or download the latest version of your instruction manual:  
[www.gamasonic.com](http://www.gamasonic.com) or [www.gamasonic.com/user-guides](http://www.gamasonic.com/user-guides)

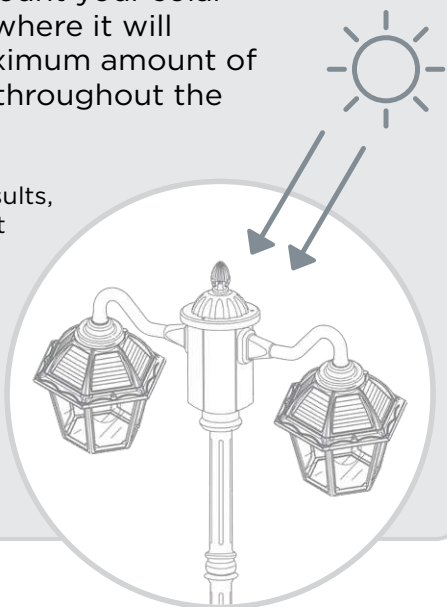
### Gama Sonic's Bulb Technology

Gama Sonic's patented Bulb technology gives your solar lamp the look and feel of a traditional incandescent lamp. This helps to distribute light further than traditional solar lamps.

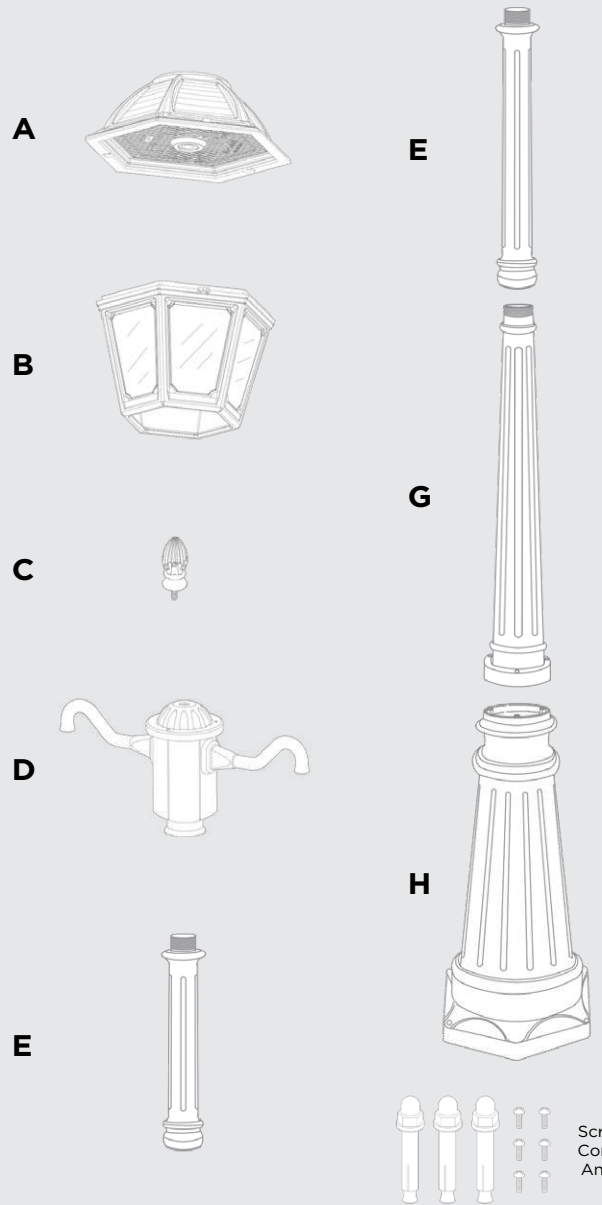
### Solar Lamp Location

For optimum light duration throughout the night, it is very important to mount your solar lamp in a spot where it will receive the maximum amount of direct sunlight throughout the day.

**NOTE:** For best results, the solar light must be charged in the "High or Low" position for at least 2 days of full direct sunlight.



### What's In The Box



Screws & Concrete Anchors

## Assembly Instructions

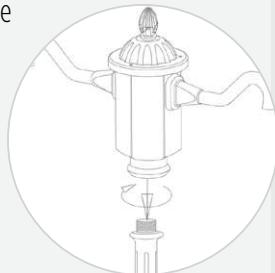
1. Using the base pole (H) as a template, mark and drill three holes into the concrete where you want to mount your lamp.
2. Using the concrete anchors, secure the base pole (H) to the surface.



3. Attach the middle pole (G) to the base pole (H) using the three provided screws.
4. Attach the top pole (F) to the middle pole (G) by twisting it clockwise.
5. Attach the spacer pole (E) to the top pole (F) by twisting clockwise.



6. Attach the finial (C) to the centerpiece (D) by twisting clockwise.
7. Attach the centerpiece (D) to the spacer pole (E) by twisting clockwise.



8. Attach the lamp head (A) to the arm of the centerpiece (D) by twisting clockwise.

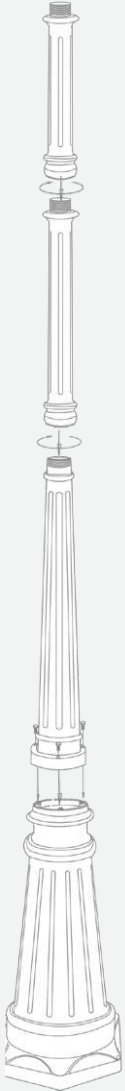


9. Install the GS Solar LED Bulb and switch the lamp to the Low or High setting.

10. Install the fixture (B) to the top (A) and secure using the three screws.



11. Repeat steps 8-10 for the second lamp head.



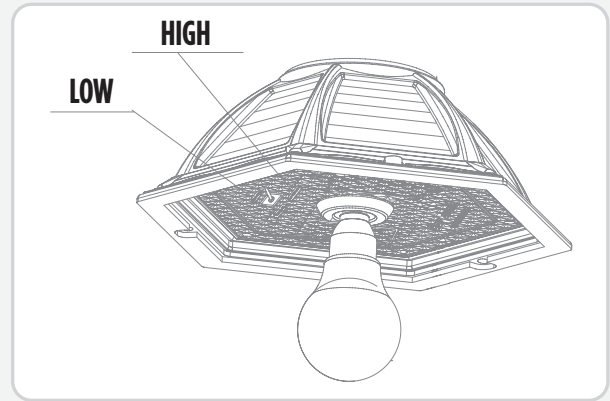
## Operation Instructions

1. Install the GS Solar LED Bulb into the Top (A).
2. Locate the operation switch on the underside of the Top (A).
3. Switch the lamp to either the Low or High setting according to your preference:

**Low = Softer light output and longer duration**

**High = Brighter light output**

4. The lamp will operate automatically at dusk.



## Replacement Parts

Replacement Batteries and Bulbs are available at [www.gamasonic.com](http://www.gamasonic.com) or via our Toll Free number: +1-800-835-4113

Your Lamp can use the following bulbs:

A50WW10W – included bulb with Warm White LEDs (2700K)

A50BW10W – bulb with Bright White LEDs (6000K)

F30WW05W – Flame bulb with simulated flame LEDs

T45WW10W – Edison LED Bulb with Warm White LEDs (2700k)

Your Lamp uses two of the following battery for each lamp head:  
GS32V15

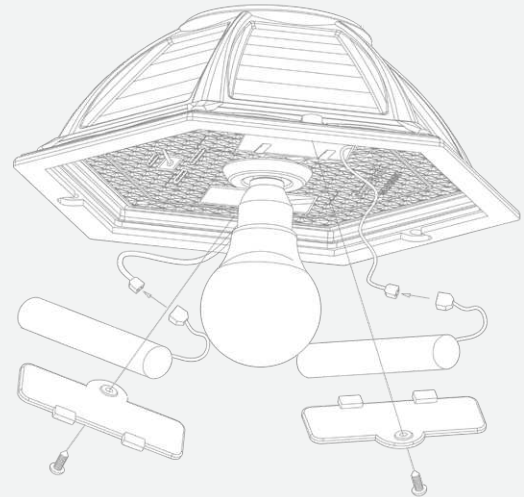


## Replacing the battery

**GAMA SONIC®**  
SOLAR LIGHTING

After several years of use, the battery may need replacing.

1. Remove the top (A) from the pole by twisting it counter clockwise.
2. Remove the fixture (B) from the top (A) by removing the three screws.
3. Make sure the switch is in the "OFF" position.
4. Unscrew the battery compartment located on the silver reflector and remove the compartment door.
5. Unclip the connector and remove the old battery.
6. Make sure the new battery is a Gama Sonic 3.2V/1,500mAh, Li-Ion Rechargeable battery with matching connector (Item GS32V15).
7. Clip in the new battery, install it into the compartment, and secure the compartment door with the screw.
8. Repeat steps 4-7 for the second battery.
9. Reverse steps 1-3 to install your lamp back on the post.



**Batteries are available for purchase at [www.gamasonic.com](http://www.gamasonic.com)**

**WARNING:** Do not dispose of Li-Ion batteries in the regular trash, municipal waste stream or by fire as batteries may leak or explode. Do not open, short circuit, or mutilate batteries as injury may occur. Preserve our environment by recycling Li-Ion batteries or disposing of them in accordance with local, State, and federal regulations. Do not mix old and new batteries.

## Maintenance

Clean the solar panels regularly with a damp towel to guarantee optimum performance. Do not use any type of solvent for cleaning and be careful not to put too much pressure on the solar panels while cleaning.

## Troubleshooting

If your solar light does not come on as expected despite observance of all the instructions, please try the following steps:

1. Make sure that the solar lamp is not being affected by any other light source.
2. Ensure the solar lamp is not positioned in the shade during the day.
3. Check that the batteries are installed correctly.

**NOTE:** The performance of the solar lamp will vary with the time of year. It will last longer when it has had a full day in the sun rather than a day in overcast weather.



**WINTERTIME TIPS:** For optimal performance, be sure to remove any snow or debris accumulation from solar panel(s). A solar panel free of debris will charge the batteries much more efficiently.

**WARNING:** Please keep out of reach of children. Do not dispose of the Li-Ion battery in the regular trash, municipal waste stream or by fire as batteries may leak or explode. Do not open, short circuit, or mutilate batteries as injury may occur. Preserve our environment by recycling Li-Ion batteries or disposing of them in accordance with local, State and federal regulations. Do not mix old and new batteries.

