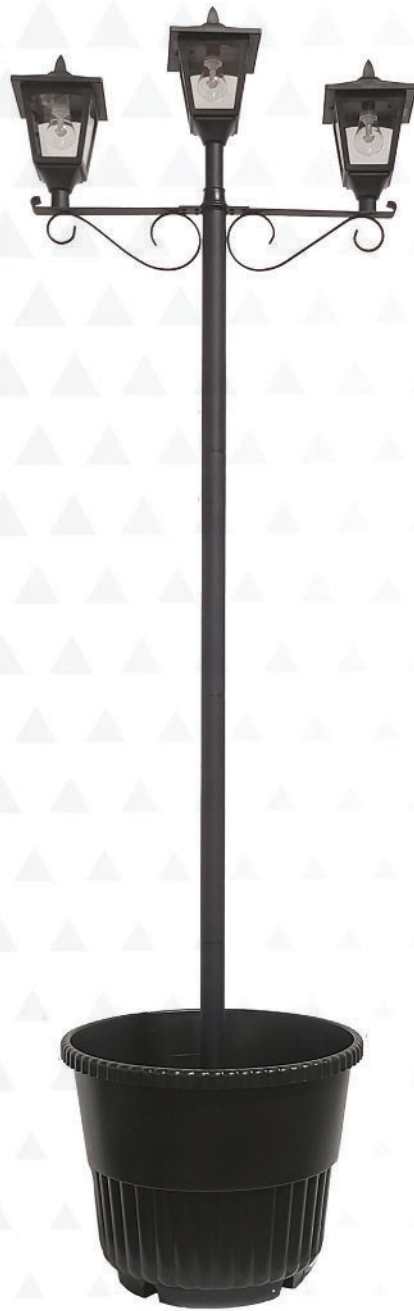


GAMA SONIC[®]

SOLAR LIGHTING



TRIPLE HEAD SOLAR LAMP AND POST SET WITH ROUND PLANTER

Part #: 14B50063

 Please read the instruction manual carefully to obtain the best results from your purchase.

Thank you for your purchase! GAMA SONIC® solar charged lights are brighter and last all night with a typical solar charge. Unique design, superior light output and numerous installation options confirm the outstanding value of our product. GAMA SONIC® has been recognized as a worldwide leader in the lighting industry for over 20 years.

Technical Assistance/Warranty Claims/Replacement Parts
Toll Free Number: +1-800-835-4113 (only within the US) or www.gamasonic.com

Visit our website or download the latest version of your instruction manual:
www.gamasonic.com or www.gamasonic.com/user-guides

GAMA SONIC'S BULB TECHNOLOGY

Gama Sonic's patented Bulb technology gives your solar lamp the look and feel of a traditional incandescent lamp. This paired with our patented cone reflector helps to distribute light further than traditional solar lamps.

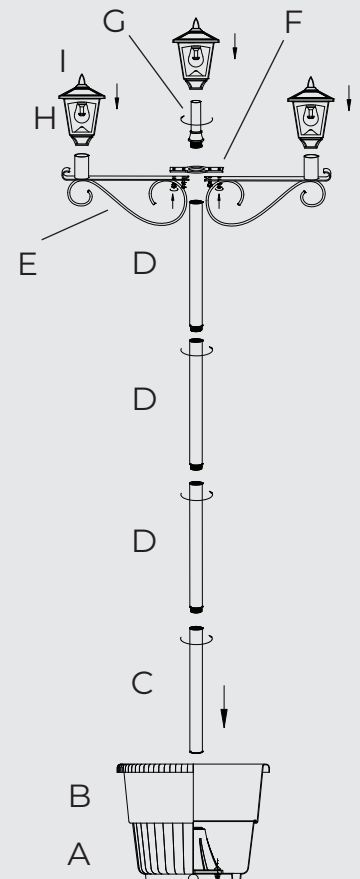
1. Solar Lamp Location

For optimum light duration throughout the night, it is very important to mount your solar lamp in a spot where it will receive the maximum amount of direct sunlight throughout the day.

For best results, the solar light must be charged in the "ON" (High or Low) position for at least 2 days of full direct sunlight. NOTE: For added solar lamp post stability, place rocks in bottom of the planter.

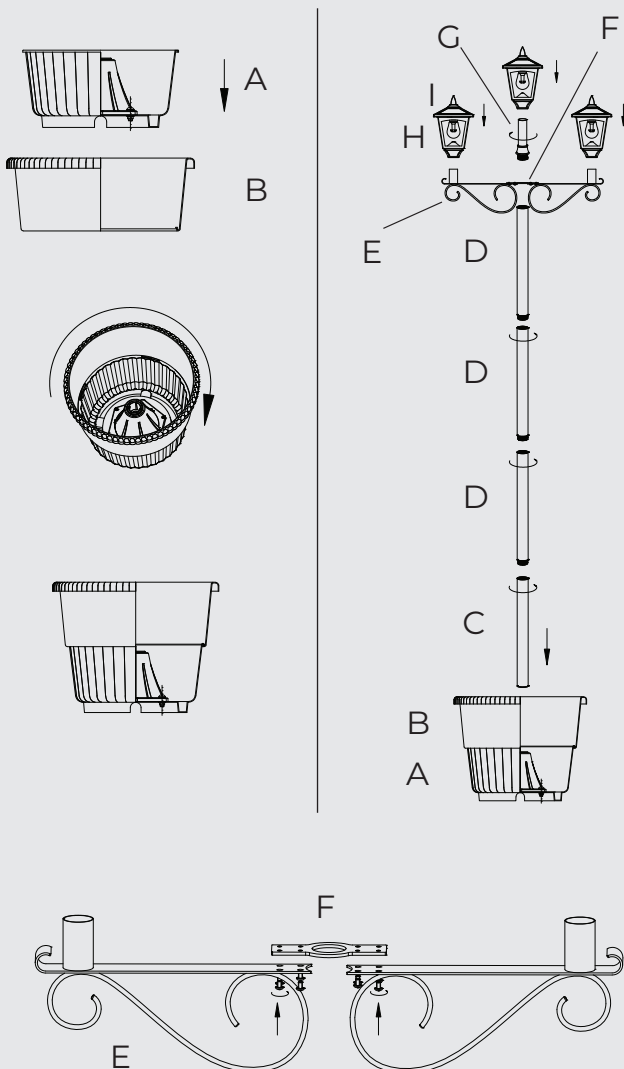
2. What's in the Box

- A=Lower Planter
- B=Upper Planter
- C=Base Pole
- D=Middle Pole Section
- E=Arm
- F=Arm Bracket
- G=Middle Light Mount
- H=Fixture
- I= Top



3. Assembly Instructions

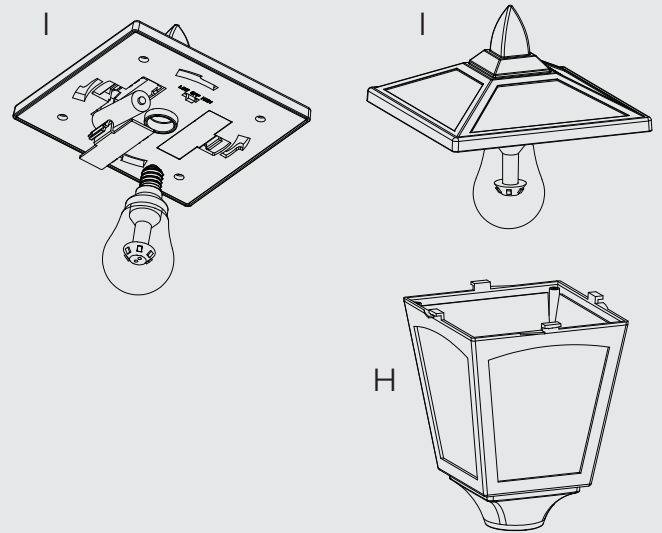
- Place Part (A) into Part (B)
- Secure Part (B) to Part (A) by aligning the four tabs and turning Part (B) so it locks into Part (A)
- Insert Part (C) into Part (A) by pressing down firmly.
- Attach the three pole sections (Part D) to each other by twisting them clockwise. Attach the completed pole section to Part (C) by twisting clockwise.
- Attach both parts (E) to part (F) using the 8 supplied screws.
- Attach the assembly of Parts (E) and (F) to the top of part (D) and secure by twisting in part (G) clockwise through the center of part (H).
- Install Part (H) on Parts (E) and (G) by sliding them onto the tubes.
- After installing the GS Solar LED Bulb into Part (I) and turning the unit on, secure part (I) to Part (H) by twisting clockwise.



4. Operation Instructions

(follow these instructions for each lamp head)

- Insert the GS Solar LED Bulb into the Top (Part I)
- Locate the operation switch on the underside of the lamp head (I).
- Switch the lamp to either the Low or High setting according to your preference:
 - Low = Softer light output and longer duration
 - High = Brighter light output
- The lamp will operate automatically at dusk.



5. Replacement Parts

Replacement Batteries and Bulbs are available at

www.gamasonic.com

or via our Toll Free number: **+1-800-835-4113**.

Your Lamp can use the following bulbs:

D46WW05W – included bulb with Warm White LEDs (2700K)

F30WW05W – Flame bulb with simulated flame LEDs

Your Lamp uses the following battery:

SB32V05



Replacing the Batteries (each lamp head has its own set of batteries)

GAMA SONIC®
SOLAR LIGHTING

After several years of use, the battery may need replacing, or you have the option to add a second battery for added duration (Recommended for lamps that receive more than 4 hours of direct sunlight per day)

Remove part (I) from part (H) by twisting counterclockwise.

Move the switch to the off position.

Open the battery compartment cover by pressing in the lip on the side.

Remove the old battery and replace with a matching 3.2V/500mAh Li-Ion battery (Item# SB32V05).

Reinstall the battery cover, switch the lamp on, and attach part (I) back on part (H) by twisting clockwise.

Batteries are available for purchase at www.gamasonic.com

Maintenance

Clean the solar panels regularly with a damp towel to guarantee optimum performance. Do not use any type of solvent for cleaning and be careful not to put too much pressure on the solar panels while cleaning.

Troubleshooting

If your solar light does not come on as expected despite observance of all the instructions, please try the following steps:

1. Make sure that the solar lamp is not being affected by any other light source.
2. Ensure the solar lamp is not positioned in the shade during the day.
3. Check that the batteries are installed correctly.

NOTE: The performance of the solar lamp will vary with the time of year. It will last longer when it has had a full day in the sun rather than a day in overcast weather.



WINTERTIME TIPS: For optimal performance, be sure to remove any snow or debris accumulation from solar panel(s). A solar panel free of debris will charge the batteries much more efficiently.

WARNING: Please keep out of reach of children. Do not dispose of the Li-Ion battery in the regular trash, municipal waste stream or by fire as batteries may leak or explode. Do not open, short circuit, or mutilate batteries as injury may occur. Preserve our environment by recycling Li-Ion batteries or disposing of them in accordance with local, State and federal regulations. Do not mix old and new batteries.

