

# **GAMA SONIC<sup>®</sup>**

## **SOLAR LIGHTING**




**Instruction Manual**

## **SOLAR GARDEN LIGHT SHEPHERD HOOK with GS Solar LED Light Bulb Model: GS-148**

US Patent # 9458970

Version 1.1

 Please read the instruction manual carefully to obtain the best results from your purchase.

Thank you for your purchase. GAMA SONIC® solar charged lighting eliminates the problems associated with most solar lighting available today. GAMA SONIC® solar charged lights are brighter and last all night with a typical solar charge. Unique design, superior light output and numerous installation options confirm the outstanding value of our product.

GAMA SONIC® has been recognized as a worldwide leader in the lighting industry for over 20 years. The company also offers unique products from multi-purpose solar lamps to emergency lighting products.

**For technical assistance and more information call our Toll-Free number:  
800-835-4113 (only within the US)**

Or

**visit our website or download the latest version of your instruction manual:  
[www.gamasonic.com](http://www.gamasonic.com) Or [www.gamasonic.com/user-guides](http://www.gamasonic.com/user-guides)**

## GAMA SONIC'S NEW MORPH TECHNOLOGY



Gama Sonic's NEW Morph Solar Panel Technology is a groundbreaking process in the way we capture more power from the sun. Our Morph technology still uses monocrystalline solar panels. However, instead of the standard limited sized solar panels, our new technology allows the solar panels to MORPH into the light fixture.

## Assembly instructions:

### 1. Solar Lamp Location:

For optimum light duration throughout the night, it is very important to place your solar lamp in a spot where it will receive the maximum amount of direct sunlight throughout the day.

NOTE: For best results, the solar lamp post must be charged for two sunny days in the "ON" position.



**Part C**  
Fixture

**Part A**  
Finial

**Part B**  
Upper Section

**Part D**  
Pole Section

**Part E**  
Threaded Rod

**Part D**  
Pole Section

**Part F**  
Stake

**WARNING:** GAMA SONIC® Light bulbs are built and designed for Gama Sonic products only. They are not designed to be used in other electrical sockets. For the same reason, regular AC and/or Low Voltage bulbs cannot be used in Gama Sonic products.

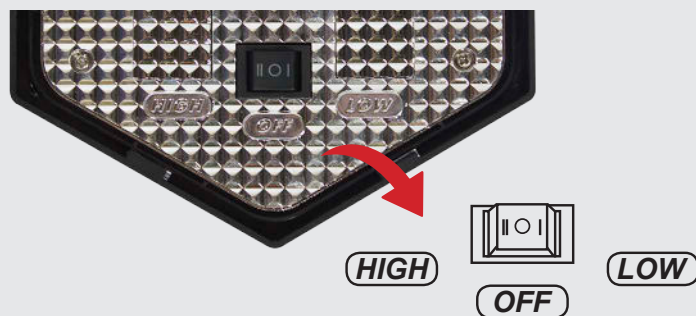
## 2. Assembly instructions:

1. Remove the lower part of the fixture by twisting counter clockwise.
2. Install the GS Solar LED Bulb by following the instructions in the "Solar LED Light Bulb Install" section below.
3. Turn the lamp on by selecting either Low or High on the switch.
4. Re-install the lower part of the fixture by twisting clockwise.
5. Slide Part B over the threaded top part of Part C and secure by tightening the finial (Part A).
6. Screw Part B to Part D
7. Assemble the two Part D sections using Part E between them.
8. Secure the lower Part D to Part F by screwing them together.
9. Insert the completed lamp assembly into the ground in your desired location. Make sure the stake is fully inserted into the ground.

NOTE: If you are having trouble inserting the stake into the ground, try moistening the ground with water.

## 3. Operation Instructions

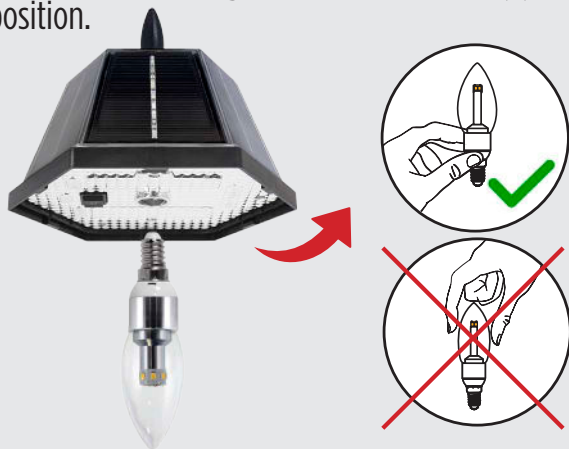
1. Remove the top section of the Fixture (B) by twisting the bottom counter clockwise.
2. Turn the operation switch to Low or High position according your preferences:
  - 2.1. (I) For softer light and longer duration.
  - 2.2. (II) For brighter light output.
3. The solar lamp will automatically operate at dusk.
4. Reattach the top portion to the lower portion of Part B and secure it by twisting clockwise.



## Solar LED Light Bulb Install

The GS Solar LED Bulb is designed to last up to 10 years, however if it doesn't work, or if you want to use different color temperature bulb, it can be easily replaced.

1. Detach the top of the lamp unit from the lower part of Part B by twisting counter clockwise. Make sure the Low/OFF/High switch is in the OFF (0) position.



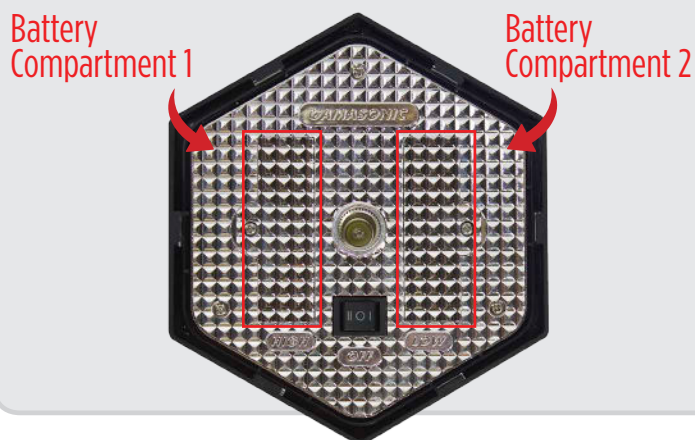
2. Install the new GS Solar LED Bulb by turning into the bulb socket clockwise. Make sure to hold the bulb by the base and not by the glass.
3. Reassemble the unit by reversing the above procedure

## 4. Battery

Read the next section carefully. Here you will learn how to add a secondary battery (optional), and how to replace your existing battery once it exceeds its life span.

Our GS-148 model features two (2) battery compartments. This light comes with one (1) pre-installed battery (included), and you have the OPTION to add a second battery. This is a unique feature designed to give you more choices to prolong the duration of your solar light.

This unit requires direct sunlight exposure for more than 4 hours a day. Shorter exposure will NOT charge the second battery and therefore it is not necessary.



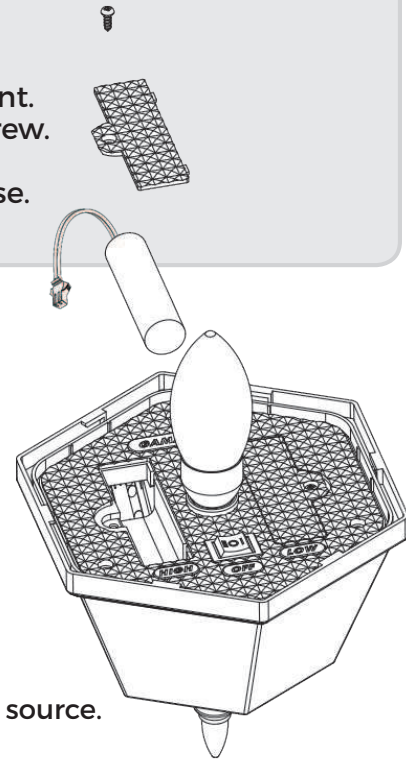


## Replacing the Batteries

Replacement batteries are available  
at [www.gamasonic.com](http://www.gamasonic.com) or via our Toll free number: +1-800-835-4113

After several years of use, the battery may need replacing.

1. Remove the Fixture (Part C) from the rest of the stake.
2. Twisting the top of the fixture counter clockwise to remove the top. Make sure the ON/OFF switch is in the OFF (O) position.
3. Unscrew the battery compartment screw located on the silver reflector and remove the compartment cover.
4. Remove the old battery if replacing with a new one.
5. Make sure the battery is a Gama Sonic - 3.2V/1,500mAh, Li-ion Rechargeable Battery with a connector.
6. Clip on the new battery and install it into the battery compartment. Re-install the battery compartment cover and secure with the screw. Remember to turn the lamp on to the low or high position.
7. Reattach the top by twisting the lower part of the fixture clockwise.
8. Install the Fixture (Part C) on the stake.



### MAINTENANCE

Clean the solar module regularly with a damp towel to guarantee optimum performance of the solar panel. Do not use any type of solvent for cleaning and be careful not to put too much pressure on the module while cleaning.

### TROUBLESHOOTING

If your solar charged light does not come on at dusk despite observance of all the instructions, please try the following steps:

1. Make sure that the solar light is not being affected by any other light source.
2. Ensure the solar light is not positioned in the shade during the day.
3. Make sure the switch in the lamp head is in NOT on the "OFF" position.
4. Check that the batteries are installed correctly.
5. Check that the GS Solar LED Light Bulb is installed correctly.

**NOTE:** The performance of the solar light will vary with the time of year. It will deliver more light when it has had a full day in the sun rather than a day in overcast weather.



**WINTERTIME TIPS:** For optimal performance, be sure to remove any snow or debris accumulation from solar panel(s). A solar panel free of debris will charge the batteries much more efficiently.

**WARNING:** Please keep out of reach of children.



**WARNING:** Please keep out of reach of children. Do not dispose of Li-Ion battery in the regular trash, municipal waste stream or by fire as batteries may leak or explode. Do not open, short circuit, or mutilate batteries as injury may occur. Preserve our environment by recycling Li-Ion batteries or disposing of them in accordance with local, state and federal regulations. Do not mix old and new batteries.