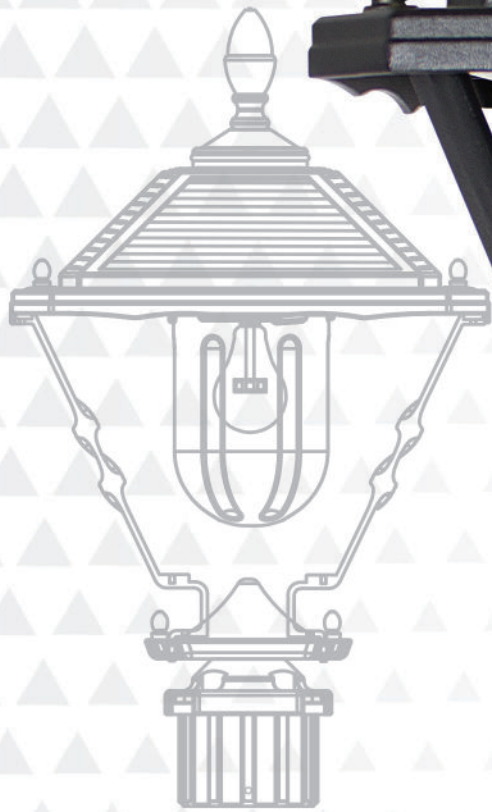


GAMA SONIC[®]

SOLAR LIGHTING



SPIRAL FRAME

SOLAR POST LIGHT

ASSEMBLY KIT


WITH 3" FITTER MOUNT

Model: 133B50012

US Patent # 7172307 # 9458970

Version 1.1

Instruction Manual

 Please read the instruction manual carefully to obtain the best results from your purchase.

Thank you for your purchase. GAMA SONIC® solar charged lights are brighter and last all night with a full day solar charge. Unique designs, superior light output, and numerous installation options confirm the outstanding value of our product.

For technical assistance and more information call our Toll-Free number:
800-835-4113 (only within the US)

Or

visit our website or download the latest version of your instruction manual:
www.gamasonic.com Or **www.gamasonic.com/user-guides**

Solar Lamp Location:

For optimum light duration throughout the night, it is important to place your solar lamp in a spot where it will receive the maximum amount of direct sunlight throughout the day.

Make sure the solar panel is not going to be affected by any other light source at night. Otherwise the light will not turn ON at dusk.

For best results, the solar lamp post must be charged for two sunny days in the "ON" (High or Low) position (Fig. 1)



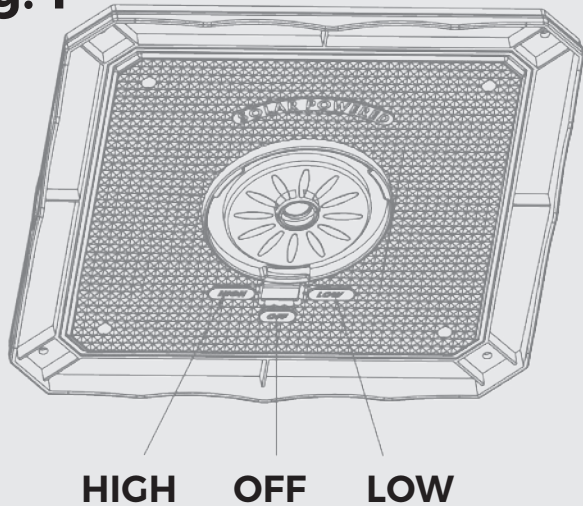
NOTE: If you are replacing an existing gas/electric post light, you must consult a certified technician to cancel them before installation.



WARNING: GAMA SONIC® Light bulbs are not to be used in other electrical sockets these are low-voltage light bulbs that are built and designed for our products only!

Installation Instructions

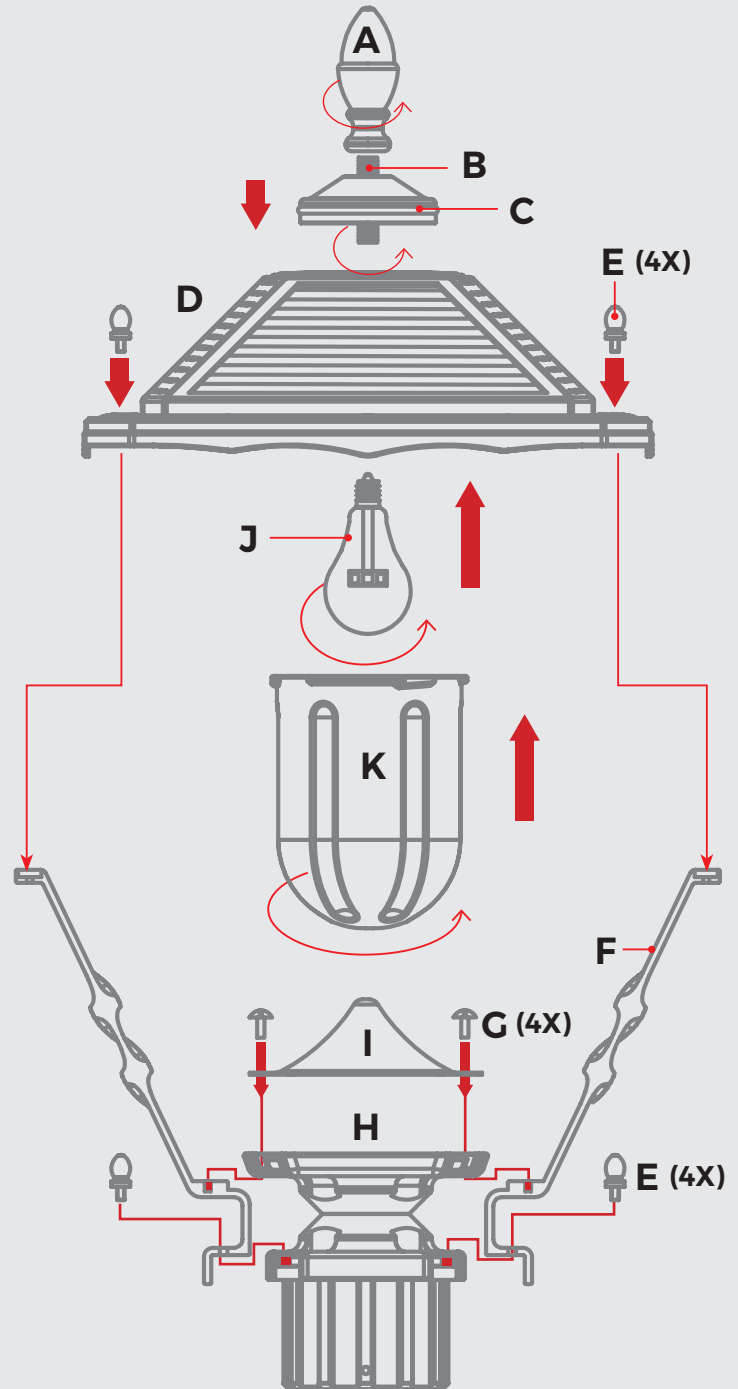
Fig. 1



Installation Instructions

1. Insert parts (F) into side of part (H) and secure each bracket with screw (E). Repeat 4x times.
2. Then place part (I) cone into the top of part (H) and secure it with a screw (G). Repeat 4x times.
3. Next you need to secure part (J) into the base of part (D) by twisting the bulb clockwise.
4. Twist part (K) into the lip of part (D) clockwise to secure into position.
5. Insert part (B) into part (A) and tighten, then insert into part (C) and part (D) by twisting clockwise to secure to the top.
6. Install part (D) on top of parts (F).
7. Then secure each end with the four screws provided with part (E). Repeat 4x times.
8. Install the lamp onto your existing 3" post, and tighten to the post using the 3 screws provided (Fig. 2)

Fig. 2





Replacing the Batteries

Replacement batteries are available at www.gamasonic.com or via our Toll free number: +1-800-835-4113

1. Make sure the H/OFF/LOW switch is in the "OFF" position.
2. Unscrew the two screws on the top part to detach it from the body part (Fig. 3).
3. Unscrew the battery compartment's screws located on the silver reflector and remove the compartment doors (Fig. 3).
4. Unclip the battery connector and remove the old battery. Make sure the new batteries are high quality - Li-Ion Battery packs (3.2 Volt / 3000 mAh) with connector.
5. Install the new batteries into the battery compartment.
6. Reassemble the unit by reversing the above procedure.

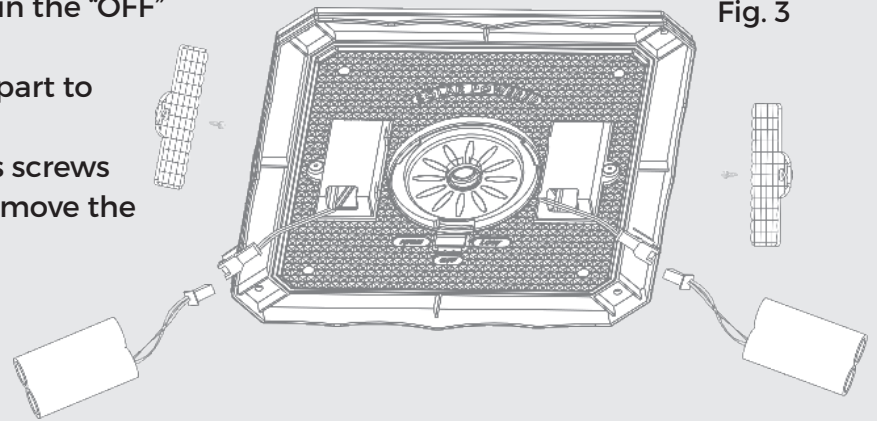


Fig. 3



WARNING: Do not dispose of Li-Ion battery in the regular trash, municipal waste stream or by fire as batteries may leak or explode. Do not open, short circuit, or mutilate batteries as injury may occur. Preserve our environment by recycling Li-Ion batteries or disposing of them in accordance with local, state and federal regulations. Do not mix old and new batteries.

Maintenance

Clean the solar module regularly with a damp towel to guarantee optimum performance of the solar panel. Do not use any type of solvent for cleaning and be careful not to put too much pressure on the module while cleaning.

Trouble Shooting

If your solar charged light does not come on at dusk despite observance of all the instructions, please try the following steps:

1. Make sure that the solar light is not being affected by any other light source (i.e street lights).
2. Ensure the solar light is not positioned in the shade during the day.
3. Make sure the switch in the lamp head is in the "ON" position.
4. Check that the batteries are installed correctly.
5. Check that the GS Solar LED Light Bulb is installed correctly.

NOTE: The performance of the solar light will vary with the time of year. It will deliver longer duration when it has had a full day in the sun rather than a day in overcast weather.



WINTERTIME TIPS: Keep snow and debris cleaned off the solar panels so the batteries can recharge. If the lights are covered with snow for an extended period of time, after the snow melts, allow all the batteries to charge in full, direct sunlight for at least 6 hours to their maximum capacity.

WARNING: Please keep out of reach of children.

