

GAMA SONIC[®]

SOLAR LIGHTING



Solar Barn Light

Part #: 12201

 Please read the instruction manual carefully to obtain the best results from your purchase.

Thank you for your purchase! GAMA SONIC® solar charged lights are brighter and last all night with a typical solar charge. Unique design, superior light output and numerous installation options confirm the outstanding value of our product. GAMA SONIC® has been recognized as a worldwide leader in the lighting industry for over 20 years.

Technical Assistance/Warranty Claims/Replacement Parts
Toll Free Number: +1-800-835-4113 (only within the US) or www.gamasonic.com

Visit our website or download the latest version of your instruction manual:
www.gamasonic.com or www.gamasonic.com/user-guides

Gama Sonic's Remote Solar Panel

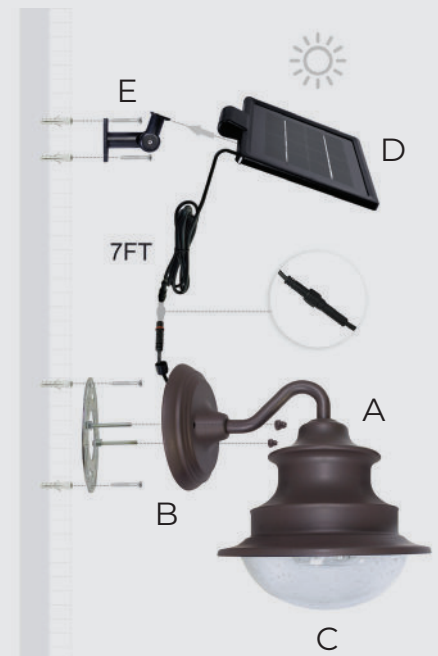
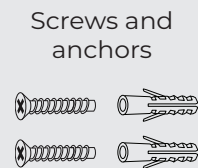
Gama Sonic's remote solar panel allows the light to be installed in an area that may not receive direct sunlight. The panel can be installed up to 6 feet away from the lamp to receive optimal sunlight. An Extension cord is also available to provide an additional 8 feet of length.

Solar Lamp Location

For optimum light duration throughout the night, it is very important to mount your solar lamp in a spot where it will receive the maximum amount of direct sunlight throughout the day.

What's in the Box

- A = Fixture
- B = Wall Bracket
- C = Glass
- D = Solar Panel
- E = Panel Bracket



For best results, the solar light must be charged in the "ON" position (High or Low) for at least 2 days of full direct sunlight.

Assembly Instructions

- Begin by removing the wall bracket (B) from the back of the fixture (A).
- Using the wall bracket (B) as a template, drill two holes into the wall no larger than the provided anchors.
- Insert the anchors into the holes and secure the wall bracket (B) with the screws.

Note: Make sure the screw studs on the wall bracket (B) are facing away from the wall and are parallel with the ground.

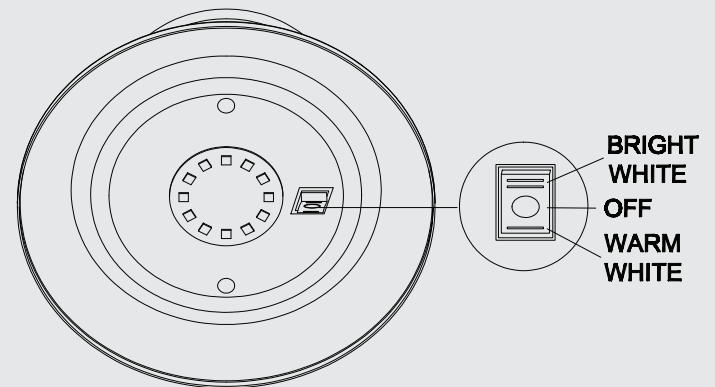
- Attach the fixture (A) to the wall bracket (B) and secure with the two screw caps.
 - Depending on how you decide to run the wire for the solar panel, you may need to drill an additional hole for the wire to be run inside or you may run it out from underneath where the fixture and wall bracket connect.
- Switch the lamp to the Bright White or Warm White setting and install the glass (C) to the fixture (A) by twisting clockwise.
- Connect the solar panel wire, secure with the locking ring, and run the solar panel (D) to your desired installation location.

Note: Make sure to install it in an area that receives the maximum amount of direct sunlight.

- Using the panel bracket (E) as a template, drill two holes no larger than the provided anchors.
- Insert the anchors into the holes and secure the panel bracket (E) with the screws.
- Slide the solar panel (D) on to the panel bracket (E) until it is fully secured.
- The solar panel angle can be adjusted by loosening the knob on the panel bracket (E) and then tightening again when it is in the proper position.

Operation Instructions

- Remove the glass by turning it counterclockwise.
- Toggle the operation switch to either the Bright White or Warm White setting for your desired light temperature:
 - Bright White = 6000K
 - Warm White = 3000K
- Reattach the glass by turning it clockwise.
- The lamp will automatically operate from dusk to dawn.



Replacement Parts

Replacement Batteries or extension cords are available at www.gamasonic.com or via our Toll Free number: +1-800-835-4113.

Your Lamp uses the following battery:

GS32V15

An 8-foot extension cord is available for the solar panel with the following item number: 12277





Replacing the Batteries

GAMA SONIC®
SOLAR LIGHTING

Remove the lamp from wall bracket (B) and disconnect the wire for the solar panel.

Remove the glass (C) from the fixture (A) by twisting it counterclockwise.

Make sure the switch is in the OFF (O) position.

Unscrew the two screws holding the silver reflector to the fixture.

On the back side of the reflector, remove the screws and cover for the battery compartment, remove and unclip the old battery.

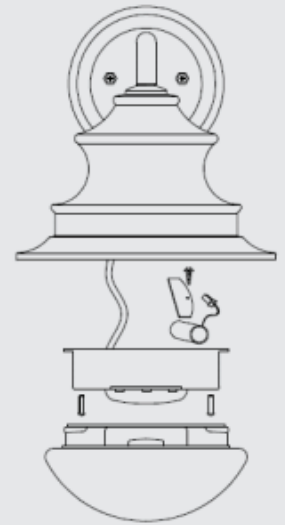
Make sure the new battery is a high quality 3.2V/1500mAh Li-Ion rechargeable battery with matching connector (Item # GS32V15).

Clip in the new battery and install it into the compartment, then replace the battery cover and secure with the screws.

Re-install the reflector and secure to the fixture using the two screws.

Switch the lamp on to the desired setting and secure the glass (C) to the fixture (A) by twisting clockwise.

Secure the lamp back to the wall bracket (B) and reconnect the wire for the panel.



Replacement Batteries and Bulbs are available at
www.gamasonic.com

Maintenance

Clean the solar panels regularly with a damp towel to guarantee optimum performance. Do not use any type of solvent for cleaning and be careful not to put too much pressure on the solar panels while cleaning.

Troubleshooting

If your solar light does not come on as expected despite observance of all the instructions, please try the following steps:

1. Make sure that the solar lamp is not being affected by any other light source.
2. Ensure the solar lamp is not positioned in the shade during the day.
3. Check that the batteries are installed correctly.

NOTE: The performance of the solar lamp will vary with the time of year. It will last longer when it has had a full day in the sun rather than a day in overcast weather.



WINTERTIME TIPS: For optimal performance, be sure to remove any snow or debris accumulation from solar panel(s). A solar panel free of debris will charge the batteries much more efficiently.

WARNING: Please keep out of reach of children. Do not dispose of the Li-Ion battery in the regular trash, municipal waste stream or by fire as batteries may leak or explode. Do not open, short circuit, or mutilate batteries as injury may occur. Preserve our environment by recycling Li-Ion batteries or disposing of them in accordance with local, State and federal regulations. Do not mix old and new batteries.

