

GAMA SONIC®

SOLAR LIGHTING

INFINITY SOLAR UP AND DOWN WALL LIGHT

Instruction Manual Model: GS-120



Introduction

Thank you for your purchase! **GAMA SONIC®** solar charged accent lighting eliminates the problems associated with most solar lighting available today. **GAMA SONIC®** solar charged lights are brighter and last all night with a typical solar charge. Unique design, superior light output and numerous installation options confirm the outstanding value of our product.

GAMA SONIC® has been recognized as a worldwide leader in the lighting industry for over 20 years.

Technical Assistance/Warranty Claims/Replacement Parts

Toll Free Number: **+1-800-835-4113** (only within the US),

Email: support@gamasonic.com, or

Visit our website to download the latest version of your instruction manual:

www.gamasonic.com or www.gamasonic.com/user-guides

Please read the instruction manual carefully to obtain the best results from your purchase.

NOTE: If you are replacing an existing gas/electric wall light, you must consult a certified technician to disconnect the current outlet before installation.

Solar Wall Light Location

For optimum light duration throughout the night, it is very important to mount your solar light in a spot where it will receive the maximum amount of direct sunlight throughout the day. A minimum of 2 hours of direct sunlight is required for basic operation.

NOTE: The following steps are for reference only. Consult your local hardware store for the best installation method for your chosen surface.

Assembly Instructions (Fig. 1):

Step 1:

Remove the wall bracket by unscrewing the two screws on the side of the fixture.

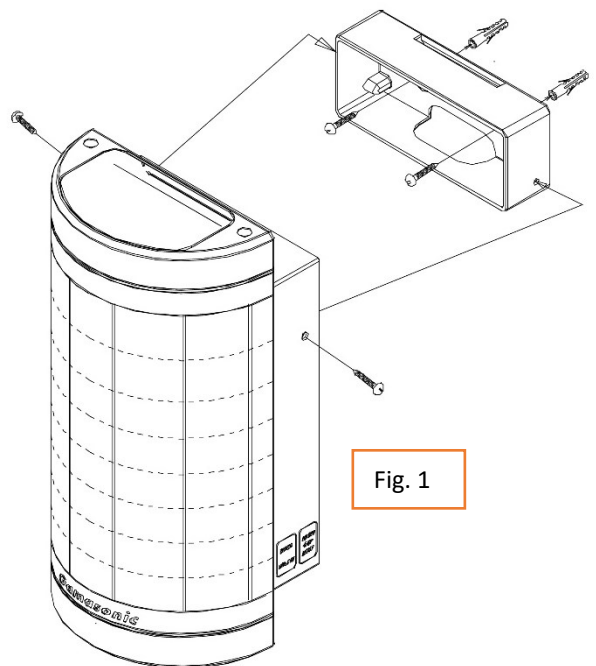
Step 2:

You are ready to mount the light fixture on the wall.

1. Use a drill to make two holes in the wall where the lamp will be mounted. (use the wall bracket as a template for drilling locations)
2. Place the anchors into the holes and place the wall bracket in line with the holes.
3. Secure using the provided screws.

Step 3:

Attach the light to the wall bracket using the screws you removed in Step 1.



Turn the light ON (Fig. 2):

Locate the operation switches at the bottom of the light fixture.

- 1) Turn the operation switch to the **LOW** or **HIGH** position according to your preferences:
 - (Low) For softer light and longer duration.
 - (High) For brighter light output.
- 2) Choose between Warm White (WARM) or Bright White (COOL) color output.

NOTE: The solar lamp will automatically operate at dusk.

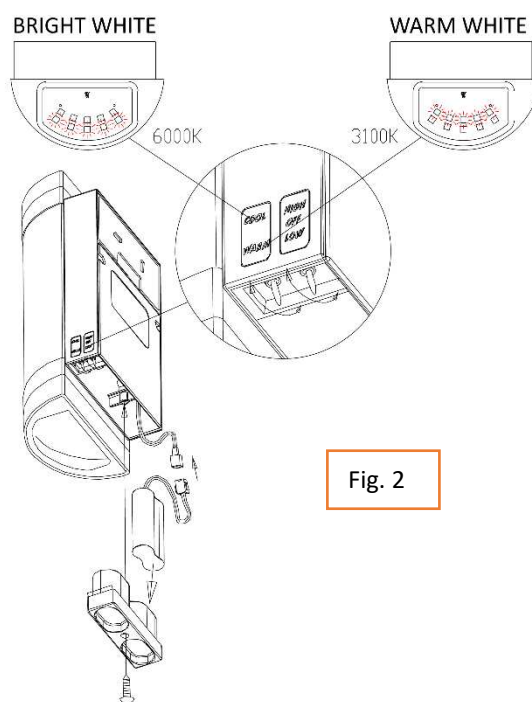


Fig. 2

Replacing the Battery (Fig. 2):

(After several years of use, the battery may need replacing.)

1. Make sure the Low/OFF/High switch is in the OFF position.
2. Remove the lamp from the wall by unscrewing the mounting screws on the sides.
3. Unscrew the battery compartment door screw.
4. Pull the battery door down until the battery is fully exposed and you can see the battery connector.
5. Unclip the connector and remove the old battery.
6. Make sure the new battery is a Gama Sonic – 3.2V/3,000mAh, Li-ion Rechargeable battery with same connector.
7. Clip on the new battery and install it into the battery compartment.
8. Re-Install the battery compartment cover and attach the lamp back to the wall.
9. Turn the light back ON (see **Turn the light ON** for more details).

**** Gama Sonic batteries are available at www.gamasonic.com**

You can purchase it directly at: <https://gamasonic.com/product-category/parts-and-accessories/> . Make sure the new battery is a **Gama Sonic - 3.2V/3,000mAh**, Li-ion Rechargeable Battery with a connector.

Maintenance

Clean the solar module regularly with a damp towel to guarantee optimum performance of the solar panel. Do not use any type of solvent for cleaning and be careful not to put too much pressure on the module while cleaning.

Troubleshooting

If your solar light does not come on at dusk despite observance of all the instructions, please try the following steps:

1. Make sure that the solar light is not being affected by any other light source.
2. Ensure the solar light is not positioned in the shade during the day.
3. Make sure the switch is **NOT** in the “OFF” position.
4. Check that the batteries are installed correctly.

WINTERTIME TIPS: Keep snow and debris cleaned off the solar panels so the batteries can recharge. If the lights are covered with snow for an extended period of time, after the snow melts, allow all the batteries to charge in full, direct sunlight for at least 6 hours to their maximum capacity.

WARNING: Please keep out of reach of children. Do not dispose of Li-Ion battery in the regular trash, municipal waste stream or by fire as batteries may leak or explode. Do not open, short circuit, or mutilate batteries as injury may occur. Preserve our environment by recycling Li-Ion batteries or disposing of them in accordance with local, state and federal regulations. Do not mix old and new batteries.

