

# CONTOUR TABLE

## DESCRIPTION

Contour's revealing and elegant open framed architecture captures warm LED illumination within a remarkably slender extruded aluminum structure. Intelligent and highly efficient, Contour's minimalist design has been refined to the bare essentials, creating a rich interior space for your personal belongings while providing an unobstructed view of its surroundings. Contour's premium wood and woven fabric interiors provide an inviting resting place for your books, precious objects, or for charging your mobile devices with its integrated USB port.

## FIXTURE TYPE

Table

## LIGHT SOURCE

(60x) High output LED array

## PRODUCT CODES

|                                       |                    |
|---------------------------------------|--------------------|
| Contour Table SM White/White Oak):    | CONT SML WHT/OAK   |
| Contour Table SM White/Walnut):       | CONT SML WHT/WAL   |
| Contour Table SM White/Pearl):        | CONT SML WHT/PEARL |
| Contour Table SM Graphite/White Oak): | CONT SML GPT/OAK   |
| Contour Table SM Graphite/Walnut):    | CONT SML GPT/WAL   |
| Contour Table SM Graphite/Coal):      | CONT SML GPT/COAL  |

|                                       |                    |
|---------------------------------------|--------------------|
| Contour Table LG White/White Oak):    | CONT LRG WHT/OAK   |
| Contour Table LG White/Walnut):       | CONT LRG WHT/WAL   |
| Contour Table LG White/Pearl):        | CONT LRG WHT/PEARL |
| Contour Table LG Graphite/White Oak): | CONT LRG GPT/OAK   |
| Contour Table LG Graphite/Walnut):    | CONT LRG GPT/WAL   |
| Contour Table LG Graphite/Coal):      | CONT LRG GPT/COAL  |

## LIGHT CONTROL

Full range dim control

## FEATURES

Glare-free illumination  
USB charging port

## SPECIFICATIONS

Voltage: 120-240V 50-60Hz  
Power Consumption: 8W MAX  
Color temperature: 3000K  
Luminosity: 780 Lumens  
Luminaire efficacy: 98 Lumens/Watt  
Color Rendition Index: 80+ CRI  
50K hour lifespan  
Cable length: 8' (244cm)  
Global multi-plug adapter available  
1 year warranty  
Patent number: D774,239

## CERTIFICATIONS



## PACKAGING WEIGHT AND DIMENSIONS

|                   |                           |
|-------------------|---------------------------|
| CONTOUR TABLE SM: | 11LBS 17.5" X 12" X 6"    |
|                   | 5KGS 44.5cm X 30cm X 15cm |
| CONTOUR TABLE LG: | 13LBS 25" X 13" X 6"      |
|                   | 6KGS 63.5cm X 33cm X 15cm |

## NOTES

Custom requests can be considered on volume orders



## FINISHES



## DIMENSIONS

TABLE SM

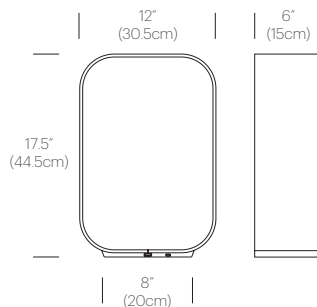
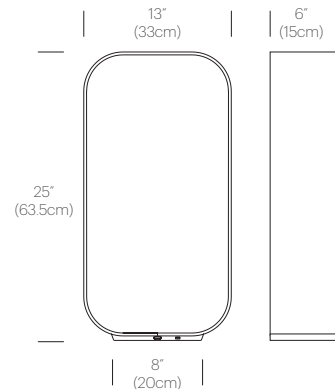


TABLE LG



# CONTOUR FLOOR

## DESCRIPTION

Contour's revealing and elegant open framed architecture captures warm LED illumination within a remarkably slender extruded aluminum structure. Intelligent and highly efficient, Contour's minimalist design has been refined to the bare essentials, creating a rich interior space for your personal belongings while providing an unobstructed view of its surroundings. Contour's premium wood interiors provide an inviting resting place for your books, precious objects.

## FIXTURE TYPE

Floor

## LIGHT SOURCE

(60x) High output LED array

## PRODUCT CODES

|                                    |                    |
|------------------------------------|--------------------|
| Contour Floor White/White Oak):    | CONT FLR WHT/OAK   |
| Contour Floor White/Walnut):       | CONT FLR WHT/WAL   |
| Contour Floor White/Pearl):        | CONT FLR WHT/PEARL |
| Contour Floor Graphite/White Oak): | CONT FLR GPT/OAK   |
| Contour Floor Graphite/Walnut):    | CONT FLR GPT/WAL   |
| Contour Floor Graphite/Coal):      | CONT FLR GPT/COAL  |

## LIGHT CONTROL

Full range dim control (in-line floor dimmer)

## FEATURES

Glare-free illumination

## SPECIFICATIONS

Voltage: 120-240V 50-60Hz  
Power Consumption: 21.5W MAX  
Color temperature: 3000K  
Luminosity: 1800 Lumens  
Luminaire efficacy: 84 Lumens/Watt  
Color Rendition Index: 80+ CRI  
50K hour lifespan  
Cable length: 9' (274cm)  
Global multi-plug adapter available  
1 year warranty  
Patent number: D774,239

## CERTIFICATIONS



## PACKAGING WEIGHT AND DIMENSIONS

|                |       |                       |
|----------------|-------|-----------------------|
| CONTOUR FLOOR: | 30LBS | 60" X 13" X 6"        |
|                | 14KGS | 152.5cm X 13cm X 15cm |

## NOTES

Custom requests can be considered on volume orders



## FINISHES



## DIMENSIONS

### FLOOR

