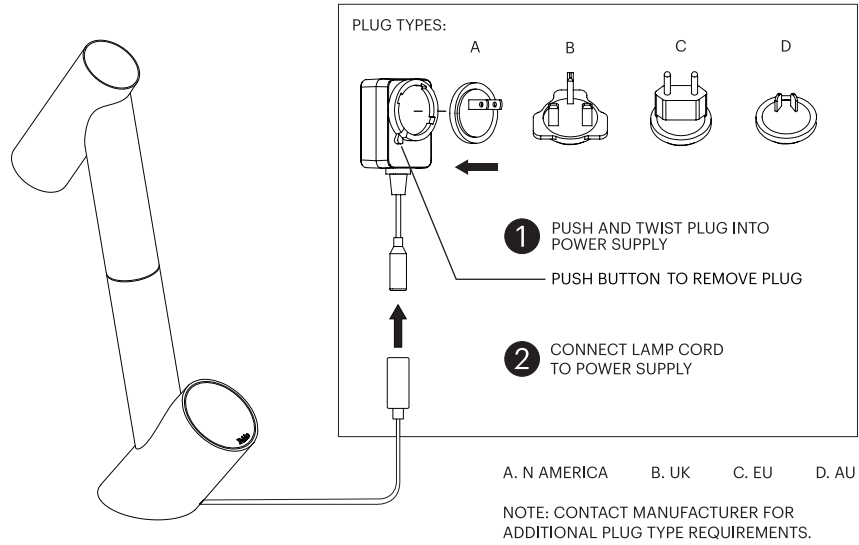
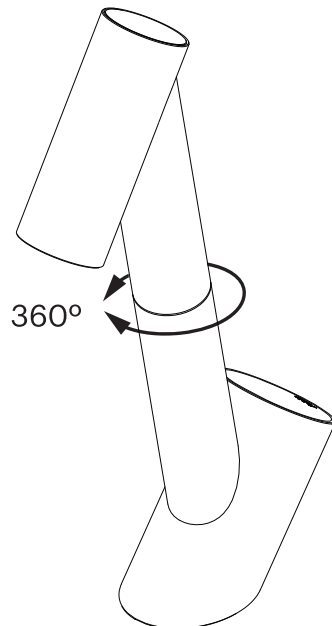


# Pablo® GIRAFFA

## ASSEMBLY

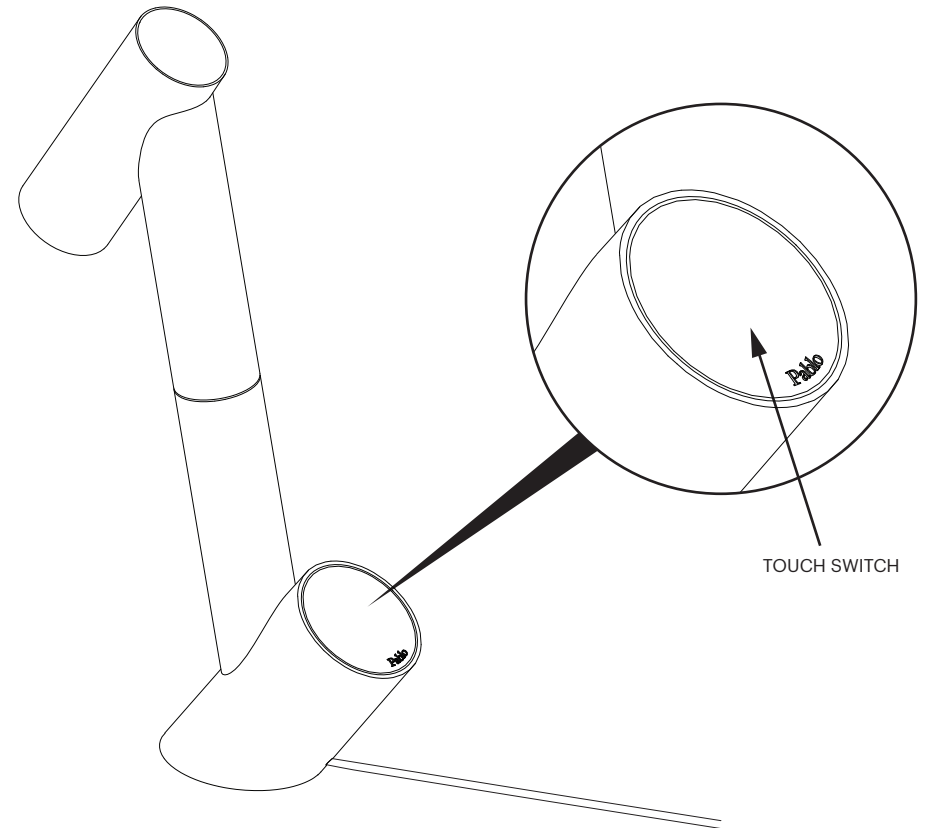


## ADJUSTMENT



# Pablo® GIRAFFA

## GIRAFFA SWITCH FUNCTION



## SWITCH FUNCTION

TOUCH SWITCH BRIEFLY TO CYCLE THROUGH HIGH, LOW AND OFF. TOUCH AND HOLD SWITCH TO ACTIVATE FULL RANGE DIM CONTROL. RELEASE FINGER FROM SWITCH WHEN DESIRED LIGHT LEVEL IS REACHED.

## CARE INSTRUCTIONS

WIPE CLEAN WITH A SOFT DAMP CLOTH. AVOID AMMONIA-BASED CLEANERS.

Pablo®

Pablo®

GIRAFFA

GIRAFFA

ASSEMBLY & INSTALLATION INSTRUCTIONS

INFO@PABLODESIGNS.COM  
888 MARIN STREET  
SAN FRANCISCO, CA  
94124

PABLODESIGNS.COM

