

NEED HELP?
Call or Email us first

Our service team is ready to answer your questions...
1-800-265-1833 (English) / 1-800-567-2513 (French)
IN CANADA - ressalescanada@canarmna.ca - IN USA - ressalesusa@canarmna.ca

Monday – Friday
8 AM - 5 PM EST.



INSTRUCTIONS PERTAINING TO RISK OF FIRE OR INJURY TO PERSONS
READ ALL INSTRUCTIONS

IMPORTANT SAFETY INSTRUCTIONS

SAVE THESE INSTRUCTIONS

TOOLS AND MATERIALS REQUIRED:

- Phillips Screwdriver
- Wire Cutters
- Pliers
- Wrench

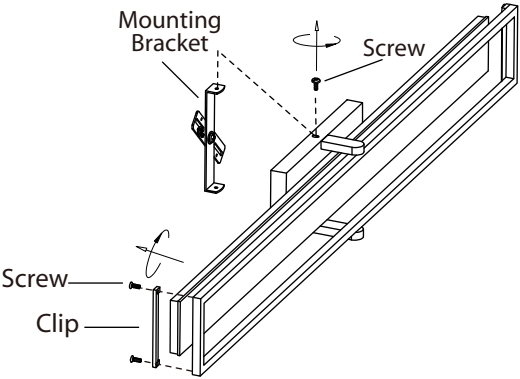
Wiring supplies as required by local electrical code

SAFETY PRECAUTIONS:

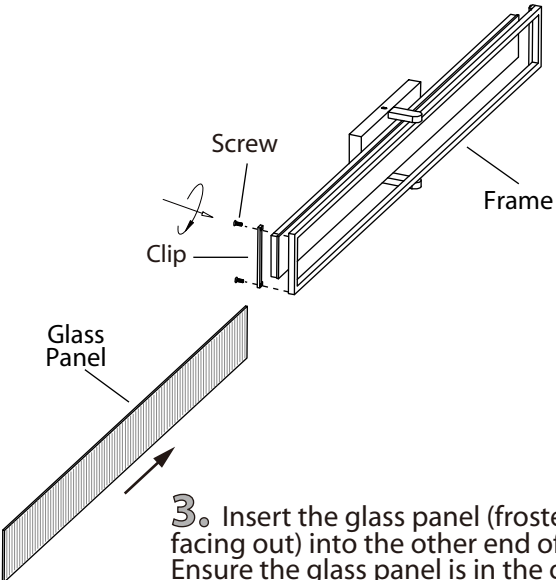
1. TURN OFF ELECTRICAL POWER BEFORE STARTING INSTALLATION OF LIGHT FIXTURE.
2. THIS PRODUCT MUST BE INSTALLED IN ACCORDANCE WITH THE APPLICABLE INSTALLATION CODE BY A PERSON FAMILIAR WITH THE CONSTRUCTION AND OPERATION OF THE PRODUCT AND THE HAZARDS INVOLVED.
3. CONNECT THE GROUND WIRES (BARE COPPER OR GREEN) FROM YOUR FIXTURE TO THE GROUND WIRE (BARE COPPER OR GREEN) OR GROUND SCREW IN THE ELECTRICAL BOX.
4. TO CLEAN THE FIXTURE, TURN OFF THE POWER, WAIT FOR IT TO COOL, AND WIPE THE FIXTURE WITH A CLEAN, SOFT CLOTH.

NOTE: Product may not look exactly as shown in figures.

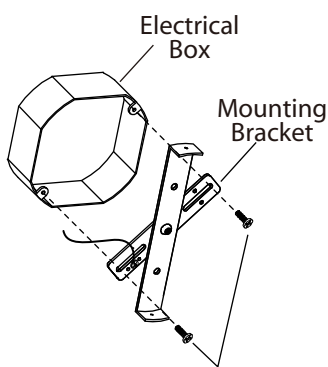
INSTALLATION:



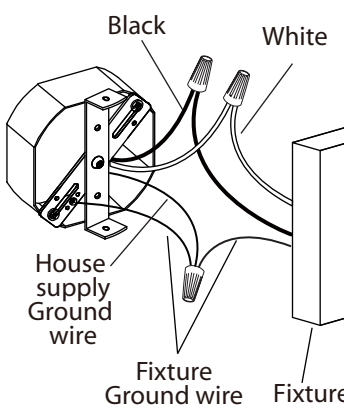
1. Remove the mounting bracket from the fixture by unscrewing the 2 screws.
2. Remove the clip at one end of the frame by unscrewing the 2 screws.



3. Insert the glass panel (frosted side facing out) into the other end of the frame. Ensure the glass panel is in the groove between the clip and the frame.
4. Re-install the clip onto the frame by tightening the 2 screws. Ensure the clips at both ends are secured.



5. Mount the mounting bracket to electrical box using electrical box screws (not included).



6. Connect the ground wires (bare copper or green) from your fixture to the ground wire (bare copper or green) or ground screw in the electrical box. Attach the black wire from the light fixture to the black wire in the electrical box. Attach the white wire from the light fixture to the white wire in the electrical box.

NOTE: Do not disconnect any pre-wired connections.

5. Mount the mounting bracket to electrical box using electrical box screws (not included).

6. Connect the ground wires (bare copper or green) from your fixture to the ground wire (bare copper or green) or ground screw in the electrical box. Attach the black wire from the light fixture to the black wire in the electrical box. Attach the white wire from the light fixture to the white wire in the electrical box.

NOTE: Do not disconnect any pre-wired connections.

7. Re-tighten the two screws to install the fixture.



dimnable

These LED light are compatible with the dimmers:

Model#	MAX rated wattage	Suitable dimmer
LVL229A24	30W	LEVITON# 742-6672-HLW , 722-6674-PDW MAX 150 W,
LVL229A36	40W	Lutron # SCL-153PH-WH MAX 150 W

BESOIN D'AIDE?

Écrivez-nous ou appelez nous d'abord

Notre équipe de service est prêt à répondre à vos questions...
1-800-265-1833 (Anglais) / 1-800-567-2513 (Français)
Au Canada - ressalesscanada@canarmna.ca - Aux États-Unis - ressalessusa@canarmna.ca

Lundi - Vendredi
8 AM - 5 PM E.S.T.



INSTRUCTIONS CONCERNANT LE RISQUE
D'INCENDIES OU LES DOMMAGES CORPORELS
LISEZ TOUTES LES INSTRUCTIONS

INSTRUCTIONS DE SÛRETÉ IMPORTANTES GARDEZ CES INSTRUCTIONS

OUTILS ET MATERIAUX REQUIS:



Tournevis
Phillips



Coupeur De Fils



Pincés



Clef

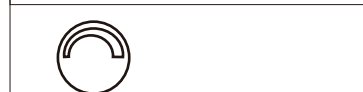
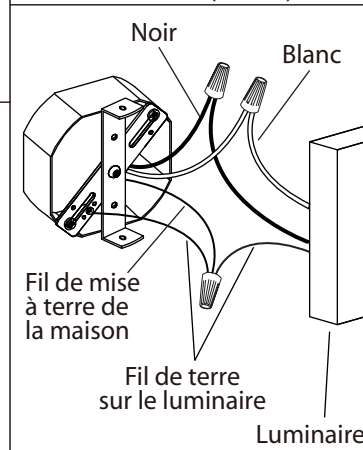
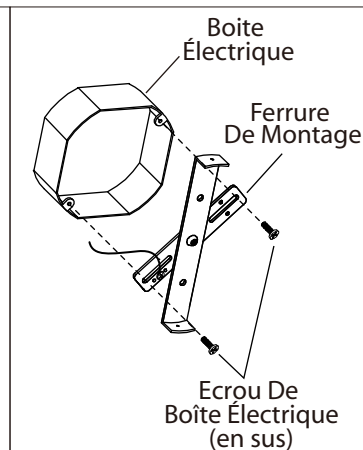
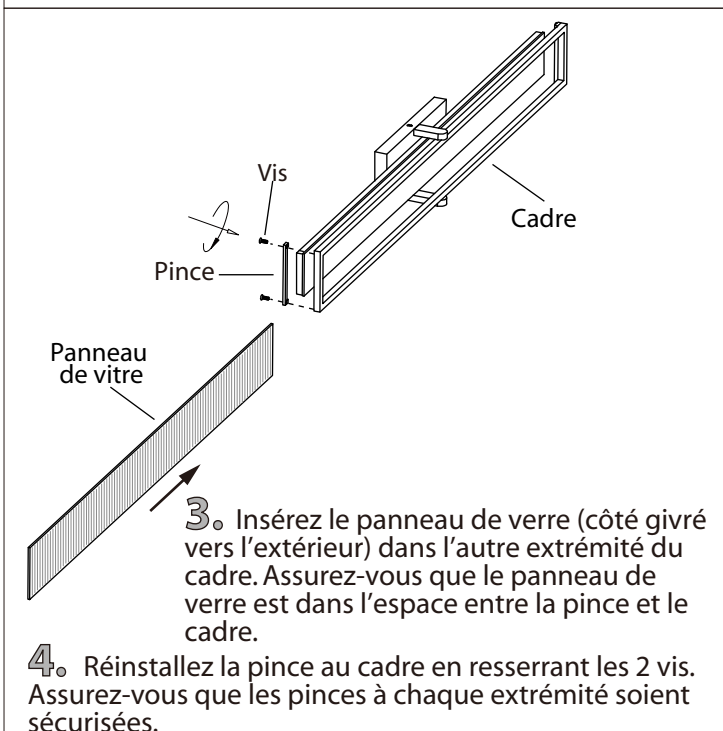
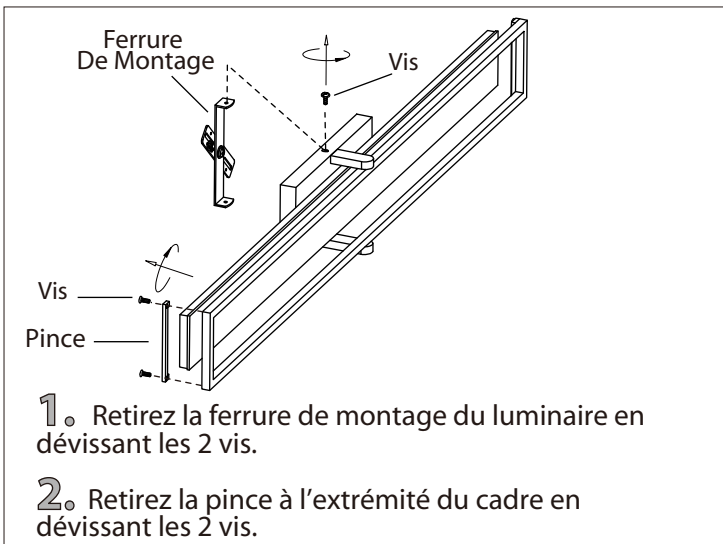
Fournitures
électriques telles
que prescrites
par les normes
locales

MISE EN GARDE:

1. FERMER LE COURANT AU DISJONCTEUR AVANT DE DÉBUTER L'INSTALLATION DE LA FIXTURE.
2. CE PRODUIT DOIT ÊTRE INSTALLÉ SELON LE CODE D'INSTALLATION PERTINENT, PAR UNE PERSONNE QUI CONNAIT BIEN LE PRODUIT ET SON FONCTIONNEMENT AINSI QUE LES RISQUES INHÉRENTS.
3. BRANCHER LES FILS DE LA MISE A TERRE (CUIVRE NU OU VERT) DE VOTRE LUMINAIRE AU FIL DE LA MISE À TERRE (CUIVRE NU OU VERT) OU VIS DE LA MISE À TERRE DANS LA BOÎTE ÉLECTRIQUE.
4. POUR NETTOYER LE LUMINAIRE, L'ÉTEINDRE, ATTENDRE QU'IL SOIT FROID, PUIS LE NETTOYER AVEC LINGE PROPRE ET DOUX.

N.B.: Le produit peut différer de l'illustration ci-dessous.

INSTALLATION:



variable

Ces lumières DEL sont compatible avec les variateurs :

Modèle	Puissance watt maximale	Gradateur adapté
LVL229A24	30W	LEVITON# 742-6672-HLW , 722-6674-PDW MAX 150 W,
LVL229A36	40W	Lutron # SCL-153PH-WH MAX 150 W