



# SEMI-FLUSH MOUNT

ISF624A03  
10/15

QUESTIONS OR CONCERNS CONTACT CANARM AT:

1-800-265-1833 (English) / 1-800-567-2513 (French)

Monday through Friday 8:00 AM to 5:00 PM E.S.T.



INSTRUCTIONS PERTAINING TO RISK OF FIRE OR INJURY TO PERSONS  
READ ALL INSTRUCTIONS

## IMPORTANT SAFETY INSTRUCTIONS

### SAVE THESE INSTRUCTIONS

#### TOOLS AND MATERIALS REQUIRED:



Phillips Screwdriver

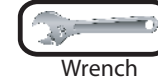


Wire Cutters

Wiring supplies as required by electrical code



Pliers



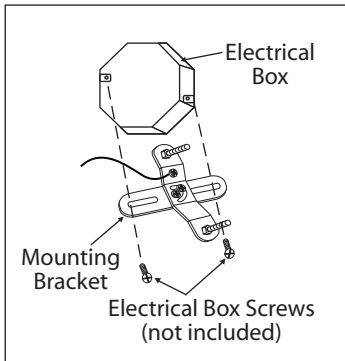
Wrench

#### SAFETY PRECAUTIONS:

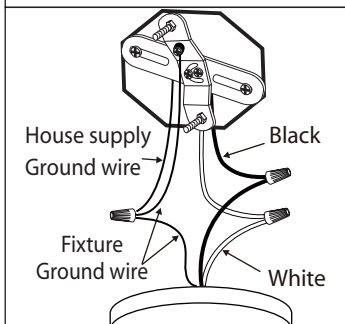
1. TURN OFF ELECTRICAL POWER BEFORE STARTING INSTALLATION OF LIGHT FIXTURE.
2. THIS PRODUCT MUST BE INSTALLED IN ACCORDANCE WITH THE APPLICABLE INSTALLATION CODE BY A PERSON FAMILIAR WITH THE CONSTRUCTION AND OPERATION OF THE PRODUCT AND THE HAZARDS INVOLVED.
3. CONNECT THE GROUND WIRES (BARE COPPER OR GREEN) FROM YOUR FIXTURE TO THE GROUND WIRE (BARE COPPER OR GREEN) OR GROUND SCREW IN THE ELECTRICAL BOX.
4. CLEAN GLASS WITH WATER ONLY.

NOTE: Product May Not Look Exactly As Shown In Figures.

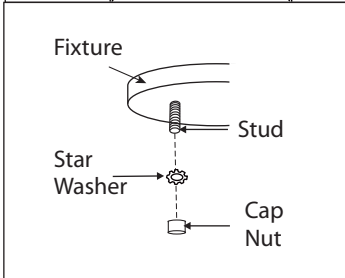
#### INSTALLATION:



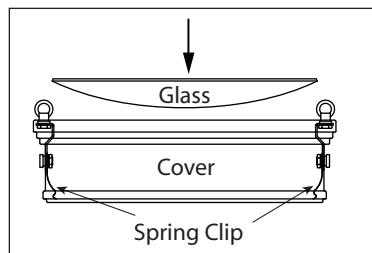
1. Mount the mounting bracket to electrical box using electrical box screws (not included). Make sure the studs on the mounting bracket are facing out from the electrical box.



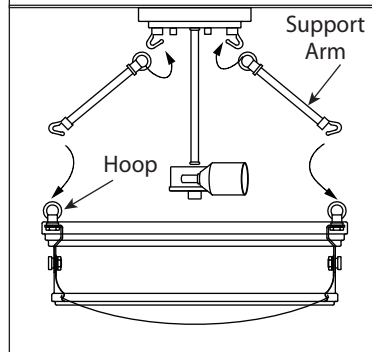
2. Connect the ground wires (bare copper or green) from your fixture to the ground wires (bare copper or green) or ground screw in the electrical box. Connect black wire from fixture to black wire in outlet box and connect the white wire from fixture to white wire in electrical box.



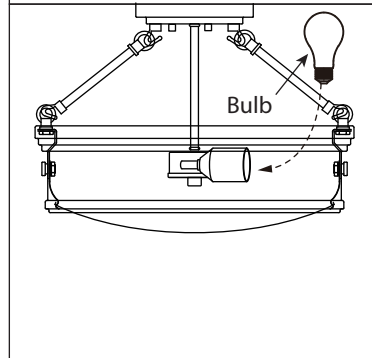
3. Tuck electrical wires into electrical box and position fixture over studs on mounting bracket assembly. Secure fixture in place with star washer(s) and cap nut(s).



4. Slightly push the glass onto the cover. Ensure the glass is tightly secured by the 3 spring clips.



5. Hook the support arms onto fixture and then into the hoop.



6. Install proper bulb type and wattage(not included).