

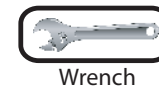
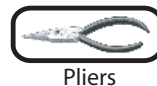
SUSPENDED TRACK LIGHTING

QUESTIONS OR CONCERNS CONTACT CANARM AT:

1-800-265-1833 (English) 1-800-567-2513 (French)
Monday through Friday 8:00 AM to 5:00 PM E.S.T.



TOOLS AND MATERIALS REQUIRED:

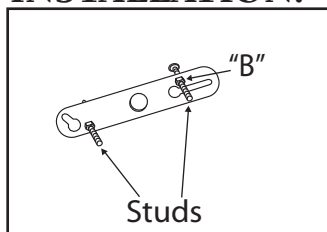


Wiring supplies
as required by
the Canadian
Electrical Code
and/or the
Quebec
Electrical code

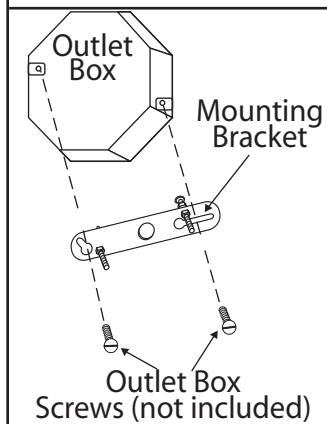
SAFETY PRECAUTIONS:

1. TURN OFF ELECTRICAL POWER BEFORE STARTING INSTALLATION OF LIGHT FIXTURE.
2. THIS PRODUCT MUST BE INSTALLED IN ACCORDANCE WITH THE APPLICABLE INSTALLATION CODE BY A PERSON FAMILIAR WITH THE CONSTRUCTION AND OPERATION OF THE PRODUCT AND THE HAZARDS INVOLVED.
3. CONNECT THE GROUND WIRE (BARE COPPER OR GREEN) FROM YOUR FIXTURE TO THE GROUND WIRE (BARE COPPER OR GREEN) OR GROUND SCREW IN THE ELECTRICAL OUTLET BOX.

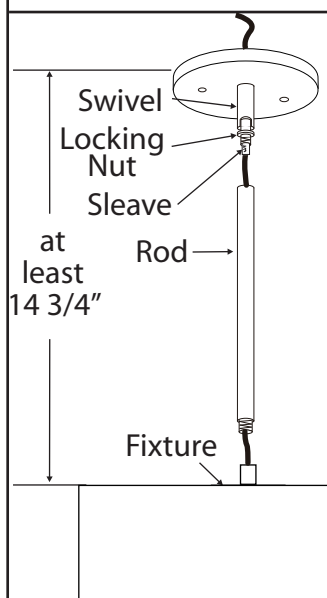
INSTALLATION:



1. Loosen "B". Adjust stud to desired length and lock in place with "B".



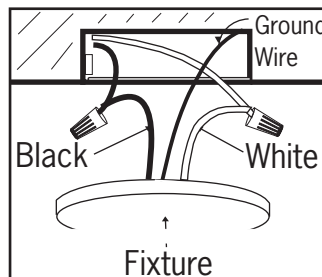
2. Mount the mounting bracket to outlet box using outlet box screws (not included). Make sure the studs or nipple on the mounting bracket are facing out from the outlet box.



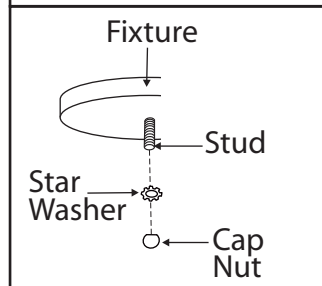
3. Screw lower downrod into the fixture. Install swivel to the rod, ensuring that the sleeve is at the swivel. Tighten the locking nut to secure rod to the fixture.

Note: Remove fixture pan, plate and rods if required (If you wish to change the downrod length) Install the length of rod that is required by threading wire through the rod and securing it to the fixture.

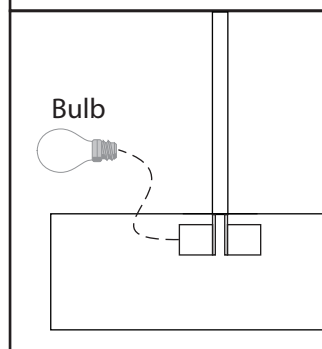
Caution: Risk of fire, keep at least an 14 3/4" distance from the ceiling to the top surface of diffuser.



4. Connect the ground wire (bare copper or green) from your fixture to the ground wire (bare copper or green) or ground screw in the electrical outlet box. Connect black wire from fixture to black wire in outlet box and connect the white wire from fixture to white wire in outlet box.



5. Tuck electrical wires into outlet box and position fixture over studs or nipple on mounting bracket assembly. Secure fixture in place with star washers and cap nuts.



6. Install the proper bulb type and wattage (not included).