

# CHANDELIER

ICH480A04XXX30  
10/16

QUESTIONS OR CONCERNS CONTACT AT:

1-800-265-1833 (English) / 1-800-567-2513 (French)  
Monday through Friday 8:00 AM to 5:00 PM E.S.T.



INSTRUCTIONS PERTAINING TO RISK OF FIRE OR INJURY TO PERSONS  
READ ALL INSTRUCTIONS

**IMPORTANT SAFETY  
INSTRUCTIONS**  
SAVE THESE INSTRUCTIONS

**TOOLS AND MATERIALS REQUIRED:**



Phillips  
Screwdriver



Wire Cutters



Pliers



Wrench

Wiring supplies  
as required by  
local electrical  
code

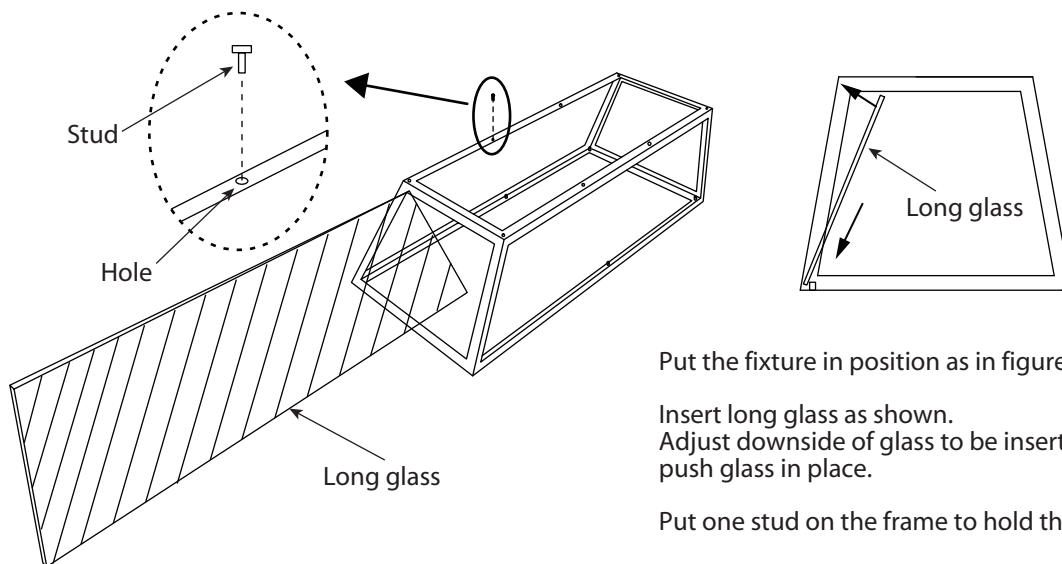
## SAFETY PRECAUTIONS:

1. **TURN OFF ELECTRICAL POWER BEFORE STARTING INSTALLATION OF LIGHT FIXTURE.**
2. **THIS PRODUCT MUST BE INSTALLED IN ACCORDANCE WITH THE APPLICABLE INSTALLATION CODE BY A PERSON FAMILIAR WITH THE CONSTRUCTION AND OPERATION OF THE PRODUCT AND THE HAZARDS INVOLVED.**
3. **CONNECT THE GROUND WIRES (BARE COPPER OR GREEN) FROM YOUR FIXTURE TO THE GROUND WIRE (BARE COPPER OR GREEN) OR GROUND SCREW IN THE ELECTRICAL BOX.**
4. **TO CLEAN THE FIXTURE, TURN OFF THE POWER, WAIT FOR IT TO COOL, AND WIPE THE FIXTURE WITH A CLEAN, SOFT CLOTH.**

**NOTE: Product may not look exactly as shown in figures.**

## INSTALLATION:

### Step 1

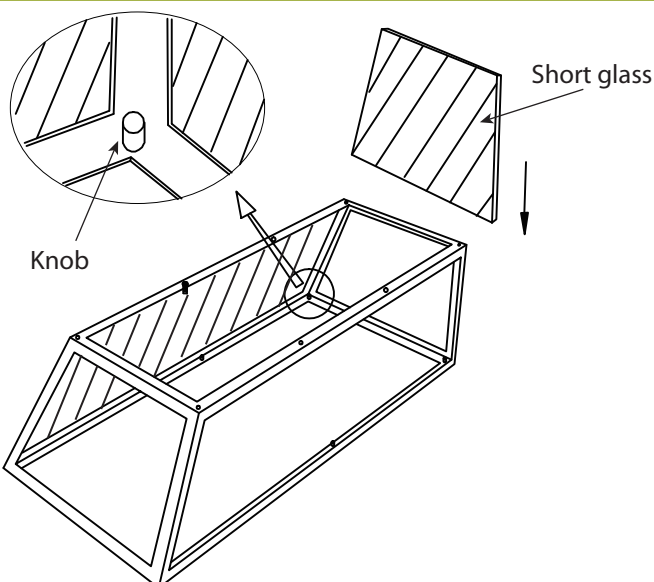


Put the fixture in position as in figure 1.

Insert long glass as shown.  
Adjust downside of glass to be inserted behind 2 knobs and push glass in place.

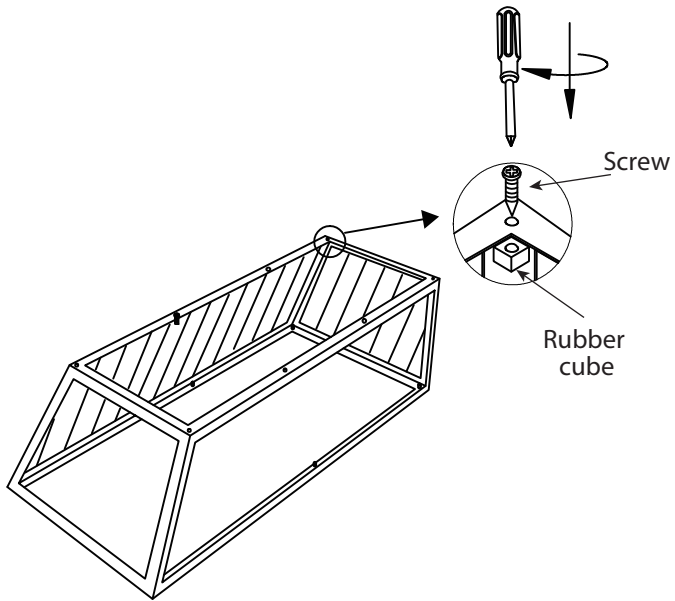
Put one stud on the frame to hold the glass in place temporarily.

### Step 2



Insert short glass as shown.  
Adjust downside of glass to be inserted behind 2 knobs.

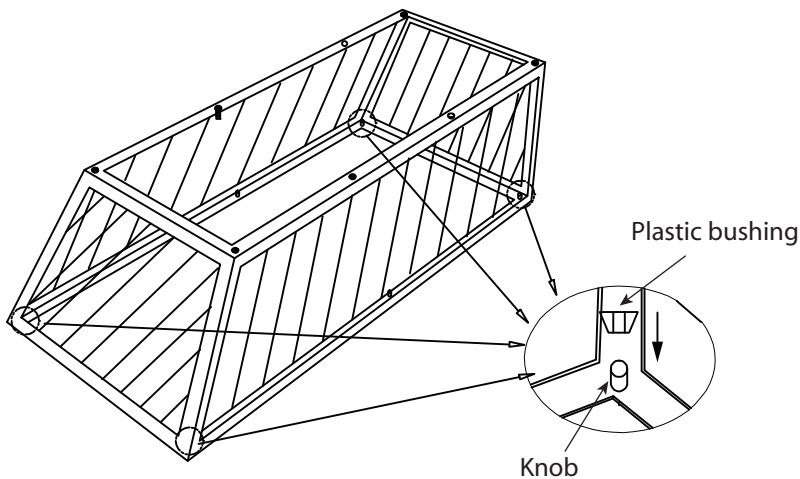
### Step 3



Tighten the screw with the rubber cube to hold the glass in place as shown.

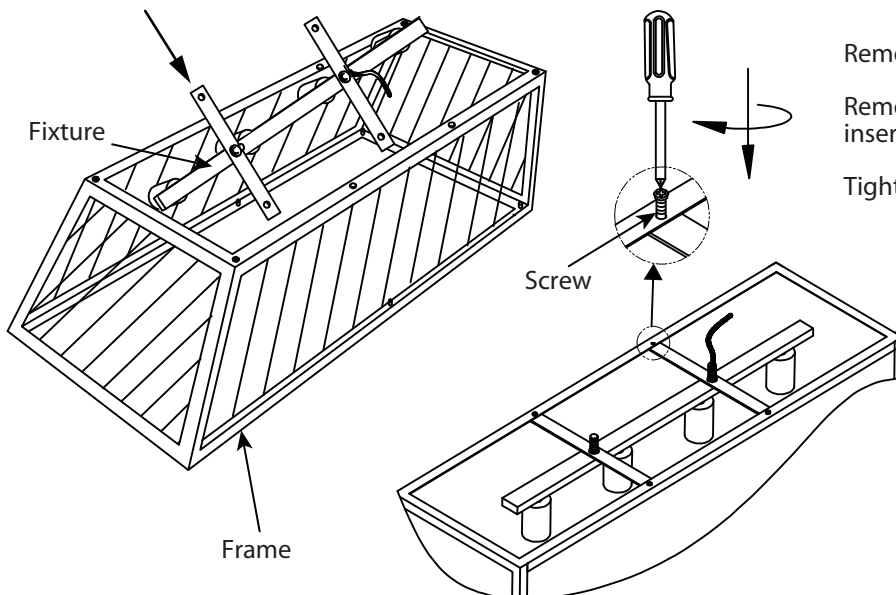
Repeat steps for the other long glass and short glass.

### Step 4



Insert the 4 plastic bushings as shown.

### Step 5

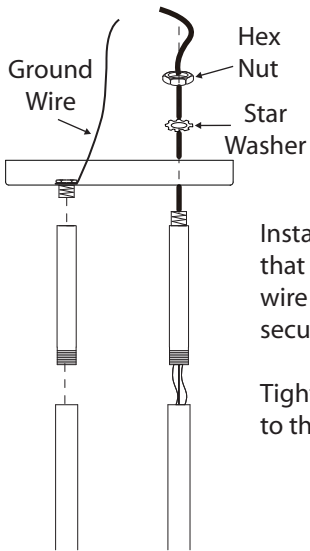


Remove the 2 studs on the frame in step 1.

Remove the 4 screws on the fixture, then insert the fixture into the frame as shown.

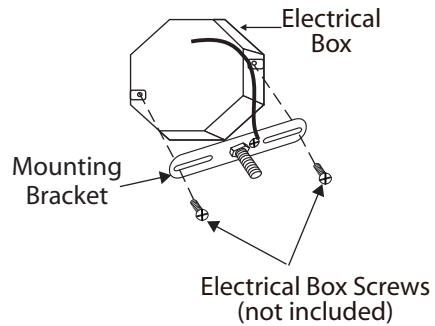
Tighten the 4 screws to hold the fixture in place.

### Step 6

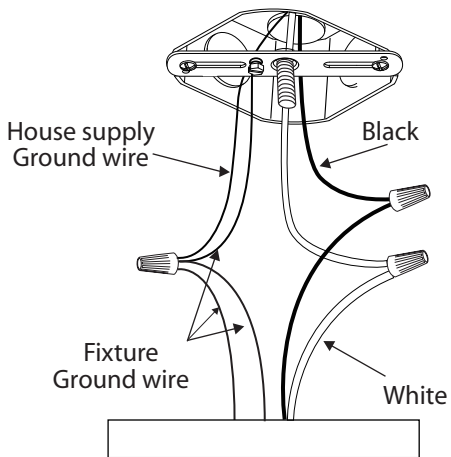


### Step 7

Attach mounting bracket to electrical box with electrical box screws (not included).

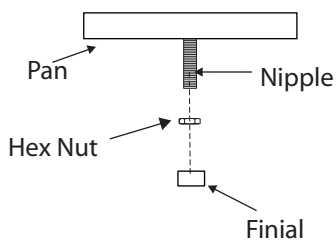


### Step 8



### Step 9

Secure the pan to the nipple by tightening the hex nut. Screw the finial to the nipple.



### Step 10

Install proper bulb type and wattage (not included).

