



# LED DISK LIGHT

12/18

DL-6-15DCB

QUESTIONS OR CONCERNS CONTACT AT:

1-800-265-1833 (English) / 1-800-567-2513 (French)  
Monday through Friday 8:00 AM to 5:00 PM E.S.T.







INSTRUCTIONS PERTAINING TO RISK OF FIRE OR INJURY TO PERSONS  
READ ALL INSTRUCTIONS



**IMPORTANT SAFETY INSTRUCTIONS**  
SAVE THESE INSTRUCTIONS

### TOOLS AND MATERIALS REQUIRED:

 Phillips Screwdriver  
 Wire Cutters  
 Pliers  
 Wrench  

Wiring supplies as required by local electrical code

### WARNING:

1. READ ALL INSTRUCTION BEFORE INSTALLATION.
2. SYSTEM IS INTENDED FOR INSTALLATION BY A QUALIFIED ELECTRICIAN IN ACCORDANCE WITH THE NATIONAL ELECTRICAL CODE AND LOCAL REGULATIONS.
3. GO TO THE MAIN FUSE BOX, OR CIRCUIT BREAKER. PLACE THE MAIN POWER SWITCH IN THE "OFF" POSITION AND UNSCREW THE FUSE(S) OR SWITCH "OFF" THE CIRCUIT BREAKER SWITCH(ES) THAT CONTROL THE POWER TO THE FIXTURE OR ROOM THAT YOU ARE WORKING ON.
4. PLACE THE WALL SWITCH IN THE "OFF" POSITION.
5. SUPPLY CONDUCTORS (POWER WIRES) CONNECTING THE FIXTURE MUST BE RATED MINIMUM 90°C. IF UNCERTAIN, CONSULT AN ELECTRICIAN.

### CAUTIONS :

1. THESE LUMINAIRES (FIXTURES) ARE DESIGNED TO MEET THE LATEST NEC REQUIREMENTS AND ARE LISTED IN FULL COMPLIANCE WITH ETL LIST.
2. BEFORE ATTEMPTING INSTALLATION, CHECK YOUR LOCAL ELECTRICAL CODE, AS IT SETS THE WIRING STANDARDS FOR YOUR LOCALITY.

### INSTALLATION

Uses 4" junction box or a combination 3/0-4/0 electrical box.

1. Attach two mounting screws into outlet box leaving enough of screw exposed to engage keyholes in the top of fixture (Fig. 1).  
Note: Keyhole mounting distance is 3.5" (Fig. 2).
2. Provide electrical service according to the "National Electrical Code" or your local electrical code to the outlet box.
3. Connect supply wires to fixture wires and insulate with proper wire nuts .
4. Connect incoming ground wire to fixture ground wire (green or bare).
5. Connect incoming common wire to fixture common (white).
6. Connect incoming hot wire to fixture black wire.

7. Raise the fixture to the junction box, guiding screw and tighten screws through keyhole slots.

8. Snap the keyhole covers into place to hide mounted screws.

### LENS INSTALLATION

Secure the lens over the LED module by snapping it into place.

Fig. 1

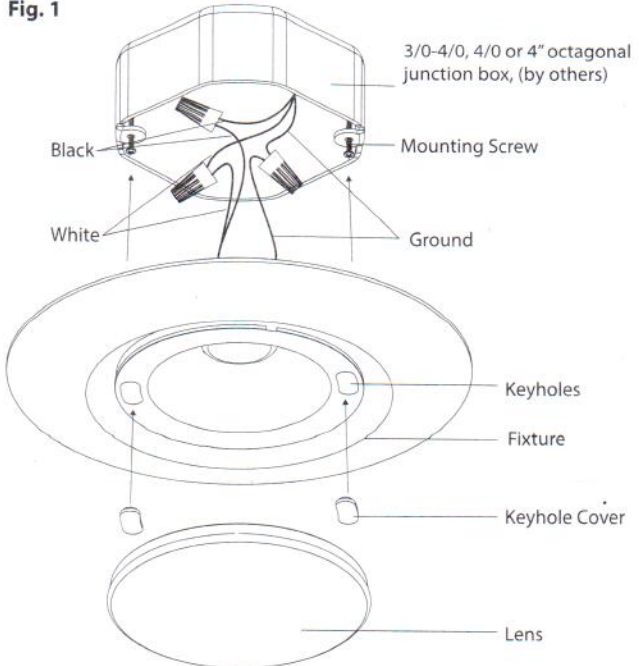


Fig. 2

