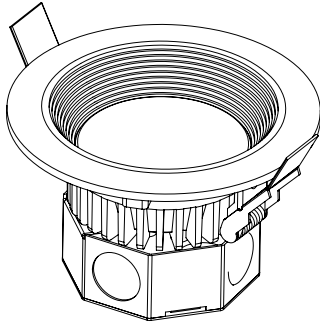




INSTALLATION INSTRUCTIONS

Model Number: DL-4-9NR DL-6-15NR

Components



LED Recessed Downlight



1 x Installation Instruction

Important Safety Information

Please read these instructions carefully before attempting to install this product. It is advisable to keep these instructions in a safe place for further reference.

WARNING: All electrical connections must be in accordance with local and National Electrical Code (N.E.C.) standards. If you are unfamiliar with proper electrical wiring connections obtain the services of a qualified electrician.

WARNING: RISK OF SHOCK electric current can cause painful shock or serious injury unless

- A. Turn off the power Supply at the fuse or circuit breaker box before you install the fixture.
- B. Ground the fixture to avoid potential electric shocks and to ensure reliable starting.
- C. Double-check all connections to be sure they are tight and correct.
- D. Wear rubber soled shoes and work on a sturdy wooden ladder.

WARNING: Risk of fire. Use only on 120 volt 60Hz circuits. Suitable for wet locations. Before installing your lighting fixture, thoroughly review enclosed installation manual.

CAUTION: TURN OFF THE MAIN POWER AT THE CIRCUIT BREAKER BEFORE INSTALLING THE FIXTURE, IN ORDER TO PREVENT POSSIBLE SHOCK.

This fixture is designed for use in a circuit protected by a fuse or circuit breaker. It is also designed to be installed in accordance with local electrical codes. If you are unsure about your wiring, consult a qualified electrician or local electrical inspector, and check your local electrical code.

WARNING: RISK OF CUTS Some metal parts in the fixture may have sharp edges. To prevent cuts and scrapes, wear gloves when handling the parts.

CAUTION: FOR WET LOCATION INSTALLATION ON UNEVEN SURFACE, ADD GASKET OR CAULKING COMPOUND ON BACK OF FIXTURE FOR SEAL AGAINST MOUNTING SURFACE.

Maintenance & Care

1. Ensure that the power is disconnected prior to cleaning.
2. To keep the finish of this product, wipe over with soft cloth periodically.
3. Do not use harsh chemical solvents, it may dis-color or damage the finish.

Preparation for Installation

1. Read these instructions carefully before attempting to install this product.
2. Disconnect electrical power before installing or servicing any part of this fixture.
3. Place fixture on a clean flat surface.

Made in China

Tel: (613) 342-5424, Fax: (800) 263-4598

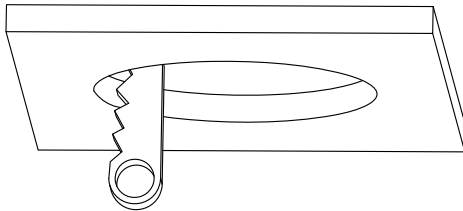


INSTALLATION INSTRUCTIONS

Model Number: DL-4-9NR DL-6-15NR

Installation (NOTE: Product may not look exactly as shown in figures.)

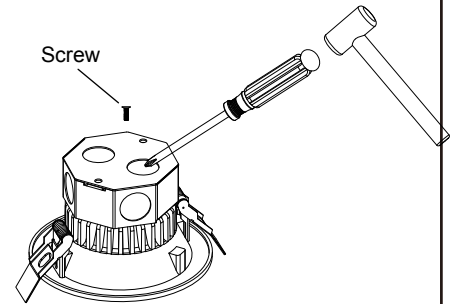
Step 1



hole diameter:

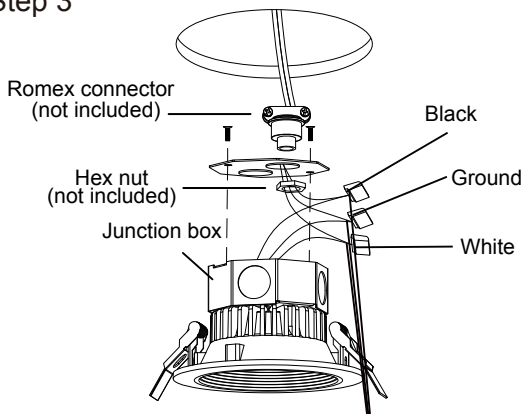
DL-4-9NR: $\Phi 110\text{mm}$ (4 1/3 in)
DL-6-15NR: $\Phi 135\text{mm}$ (5 1/3 in)

Step 2

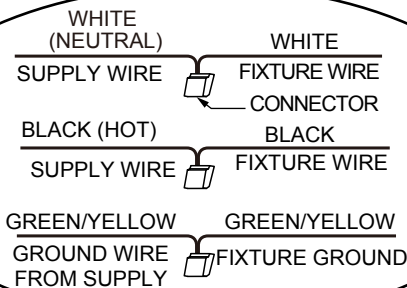
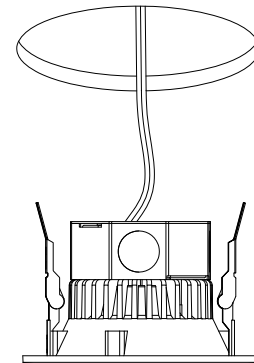


Unscrew the two screws to remove the top panel.
Remove the knock-out.

Step 3



Step 4



CAUTION:
MAKE SURE THAT NO WIRES ARE PINCHED BETWEEN J-BOX MOUNTING PLATE AND FIXTURE BODY.

CAUTION

WARNING: Risk of fire. Use only on 120 volt 60Hz circuits. Suitable for wet locations. Before installing your lighting fixture, thoroughly review enclosed installation manual. If you do not have sufficient electrical wiring experience, please have your fixture installed by a qualified licensed electrician. All electrical connections must be in accordance with Local and National Electrical Code (NEC) Standards. Reliable operating temperature is 0°F–120°F. If flickering occurs in low level dimming, increase light level.

Made in China

Tel: (613) 342-5424, Fax: (800) 263-4598