



CEILING WALL MOUNT LIGHT

B-3
04/08

QUESTIONS OR CONCERNS CONTACT CANARM AT:

1-800-265-1833 (English)

1-800-567-2513 (French)

Monday through Friday 8:00 AM to 5:00 PM E.S.T.

TOOLS AND MATERIALS REQUIRED:

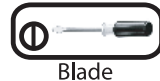


Pliers



Wire Cutters

Wiring supplies as required by electrical code



Blade Screwdriver



Phillips Screwdriver

"INSTRUCTIONS PERTAINING TO RISK OF FIRE OR INJURY TO PERSONS"
"READ ALL INSTRUCTIONS"



"IMPORTANT SAFETY INSTRUCTIONS"
"SAVE THESE INSTRUCTIONS"

ATTENTION: BRANCH CIRCUIT CONDUCTORS MUST BE RATED 90 °C CONSULT A QUALIFIED ELECTRICIAN BEFORE INSTALLING.

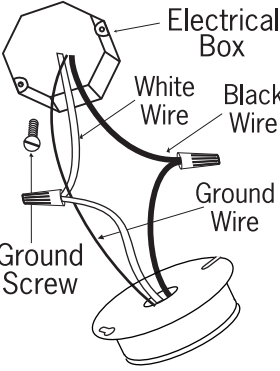
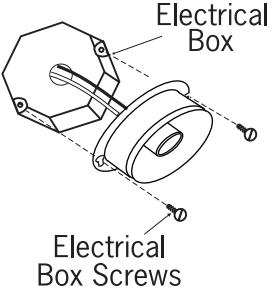
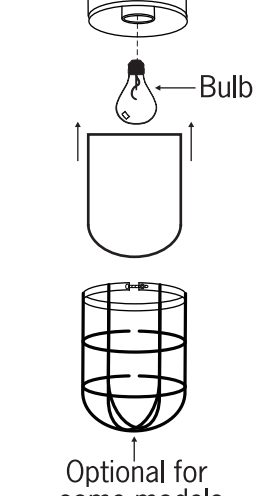
SAFETY PRECAUTIONS:

1. TURN OFF ELECTRICAL POWER BEFORE STARTING INSTALLATION OF LIGHT FIXTURE.
2. THIS PRODUCT MUST BE INSTALLED IN ACCORDANCE WITH THE APPLICABLE INSTALLATION CODE BY A PERSON FAMILIAR WITH THE CONSTRUCTION AND OPERATION OF THE PRODUCT AND THE HAZARDS INVOLVED.
3. CONNECT THE GROUND WIRE (BARE COPPER OR GREEN) FROM YOUR FIXTURE TO THE GROUND WIRE (BARE COPPER OR GREEN) OR GROUND SCREW IN THE ELECTRICAL OUTLET BOX OR CONNECT THE GROUND WIRE FROM THE ELECTRICAL OUTLET BOX TO THE GROUND SCREW ON THE OUTLET BOX COVER OF THE FIXTURE.
4. FIXTURE SHOULD NOT BE MOUNTED TO A 4" X 4" SQUARE ELECTRICAL OUTLET BOX OR ANY OTHER BOX RESULTING IN OPENINGS INTO THE WIRING COMPARTMENT.

NOTE: Product May Not Look Exactly As Shown In Diagrams. Bulbs Are Not Included.

INSTALLATION:

STYLE #1

Electrical Box
White Wire
Black Wire
Ground Wire
Ground Screw

Electrical Box
Electrical Box Screws

Bulb

Optional for some models

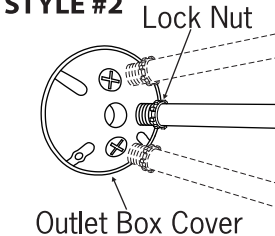
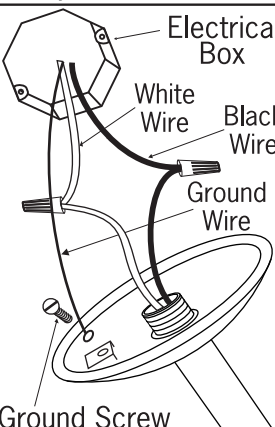
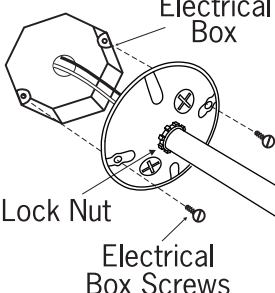
For Model BL04CWG

1. Connect the ground wire (bare copper or green) from your fixture to the ground wire (bare copper or green) or ground screw in the electrical outlet box. Connect white power lead(s) from light fixture to white wire in outlet box. Connect black wire(s) from light fixture to black wire in outlet box.

2. Tighten the outlet box cover to the electrical box using the electrical box screws.

3. Unscrew glass cylinder to install specified bulb (sold separately). Screw glass cylinder back on to the fixture.

STYLE #2

Lock Nut
Outlet Box Cover

Electrical Box
White Wire
Black Wire
Ground Wire
Ground Screw

Lock Nut
Electrical Box Screws

For Model BL04CWS

Optional Feature : This model can also be mounted in ceiling or wall with pipe 1/2 size/dia pipe and outlet box cover (sold separately). For mounting and electrical details, please consult your qualified electrician. Listed below are the parts available for this model.

Pipe : BL-PI-10

Outlet Box Cover : BL-OBC

Available in all Canarm Authorized Dealers or call toll free number for details

1. This fixture can be mounted in either ceiling or wall. Decide the way to unscrew the big screw. Select the angle of the fixture to be mounted to the outlet box cover when wall mounted is selected. Make sure to close the hole by re-tighten the big screw after selection.

2. Insert the black and white wires from the top of the reflector through the pipe. Screw the pipe into the top of the reflector. Screw the outlet box cover to the end of the pipe.

3. Using wire connector, connect white supply wire to white lampholder lead. Connect black supply wire to black lampholder lead. The green (earth) ground (or bare) wire from the metal electrical box is connected to the green grounding screw on the inside of the outlet box cover. Pull on each wire lead to make sure connections are secure. Ensure no bare wires are exposed outside the wire connectors.

4. Align the luminaire cove plate. Tighten the 2 lock nuts once the luminaire has been positioned correctly. Tighten the outlet box cover to the electrical box using the electrical box screws.

5. Unscrew glass cylinder to install specified bulb (sold separately). Screw glass cylinder back on to the fixture.