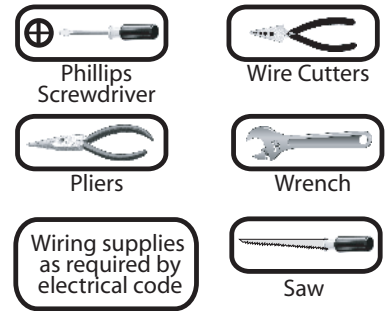


QUESTIONS OR CONCERNS CONTACT CANARM AT:

1-800-265-1833 (English) 1-800-567-2513 (French) 1-800-267-4427 (USA)
Monday through Friday 8:00 AM to 5:00 PM E.S.T.

TOOLS AND MATERIALS REQUIRED:



"INSTRUCTIONS PERTAINING TO RISK OF FIRE OR INJURY TO PERSONS"
"READ ALL INSTRUCTIONS"

"IMPORTANT SAFETY INSTRUCTIONS"

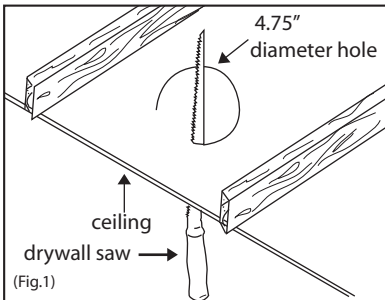
"SAVE THESE INSTRUCTIONS"

SAFETY PRECAUTIONS:

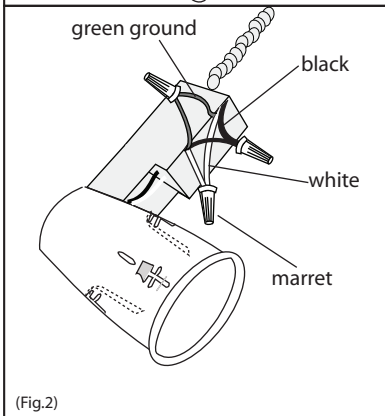
1. **TURN OFF ELECTRICAL POWER BEFORE STARTING INSTALLATION OF LIGHT FIXTURE.**
2. **THIS PRODUCT MUST BE INSTALLED IN ACCORDANCE WITH THE APPLICABLE INSTALLATION CODE BY A PERSON FAMILIAR WITH THE CONSTRUCTION AND OPERATION OF THE PRODUCT AND THE HAZARDS INVOLVED.**
3. **CAUTION – RISK OF FIRE. CONSULT A QUALIFIED ELECTRICIAN TO ENSURE CORRECT BRANCH CIRCUIT CONDUCTOR.**
4. **KEEP INSULATION AT LEAST 3 INCHES AWAY FROM HOUSING. (FIG.5)**
5. **CONNECT THE GROUND WIRE (BARE COPPER OR GREEN) FROM YOUR FIXTURE TO THE GROUND WIRE (BARE COPPER OR GREEN) OR GROUND SCREW IN THE ELECTRICAL OUTLET BOX.**

NOTE: Product May Not Look Exactly As Shown In Figures.

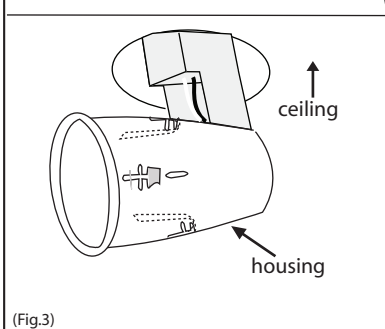
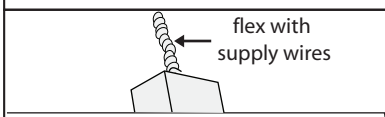
INSTALLATION:



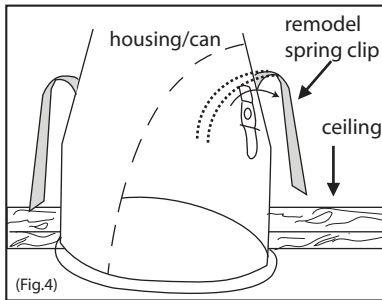
1. Using 4.75" template on the box, mark the openings and cut the openings with a drywall saw where you intend to install the lights. (Fig.1)



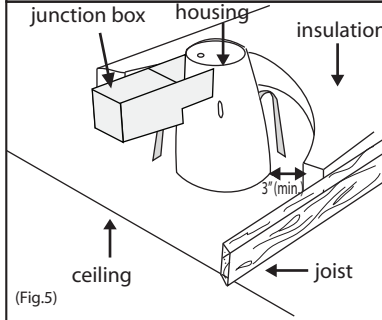
2. Pull wiring through hole cut out. Using the wire-nut, connect the incoming and outgoing wires by matching white to white, black to black and green to ground wire and twist on. (Fig.2)



3. Lift the housing onto the drywall. (Fig.3)



4. Push to lock the three remodel clips to hold the can against the ceiling. (Fig.4)



5. Do not install insulation within 76 mm (3 in) of any part of the luminaire. (Fig.5)

6. Install the bulb.