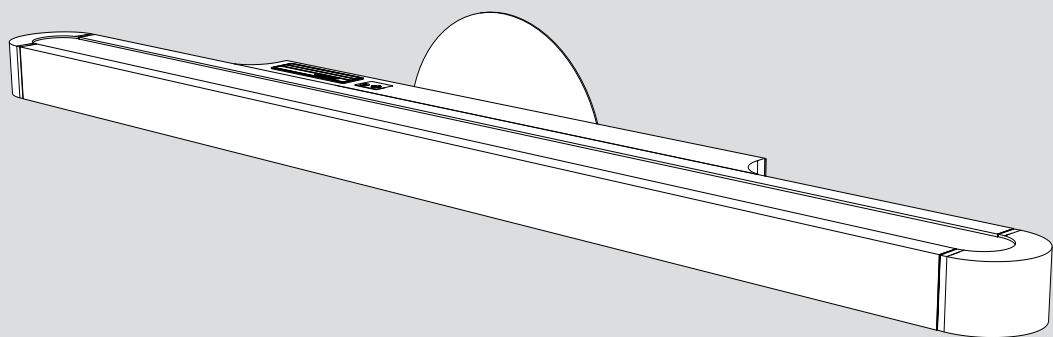


Artemide®

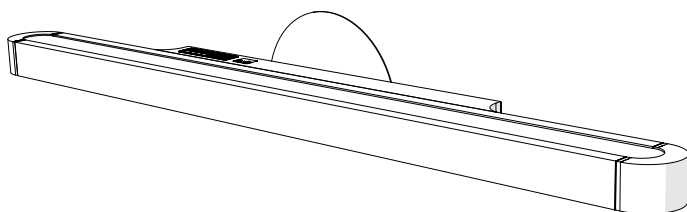
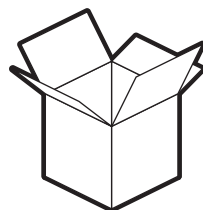
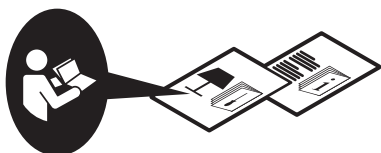
Talo

design
N. Poulton

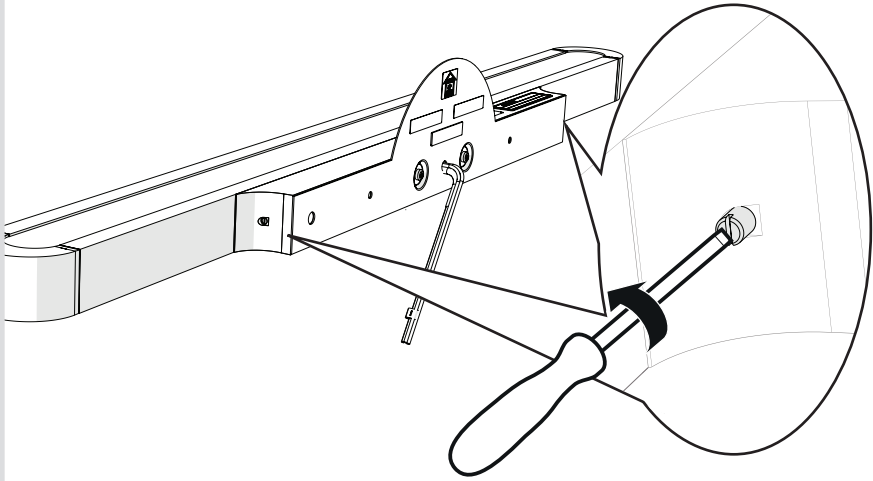




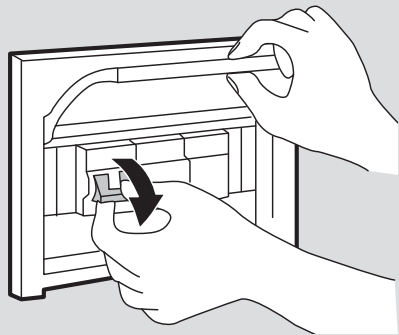
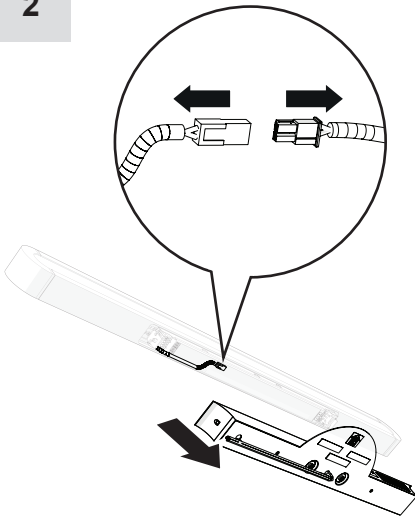
i



1

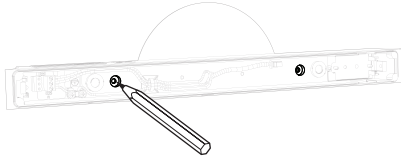


2

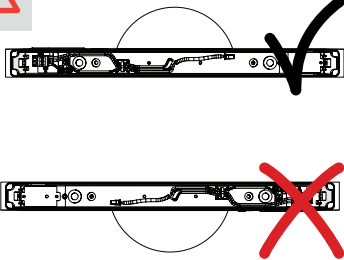
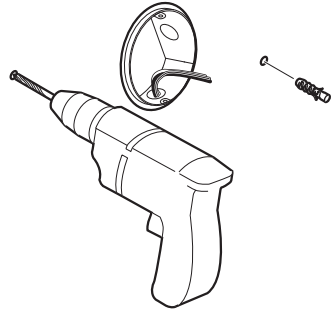


Only 1-10 V dimming control
Dimmable 1-10 V seulement
Únicamente regulable mediante control 1-10V

3



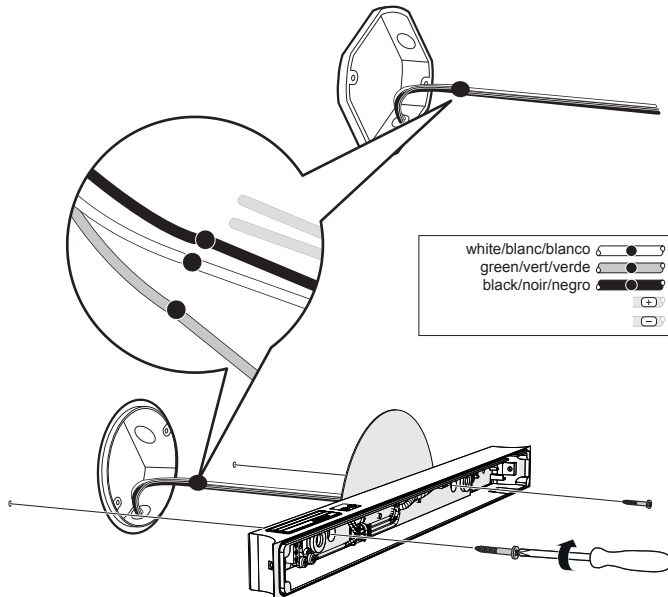
4



5a



For voltage refer to lamp driver
 Pour la tension, se référer au driver de la lampe
 Para el voltaje consultar el alimentador de la lámpara



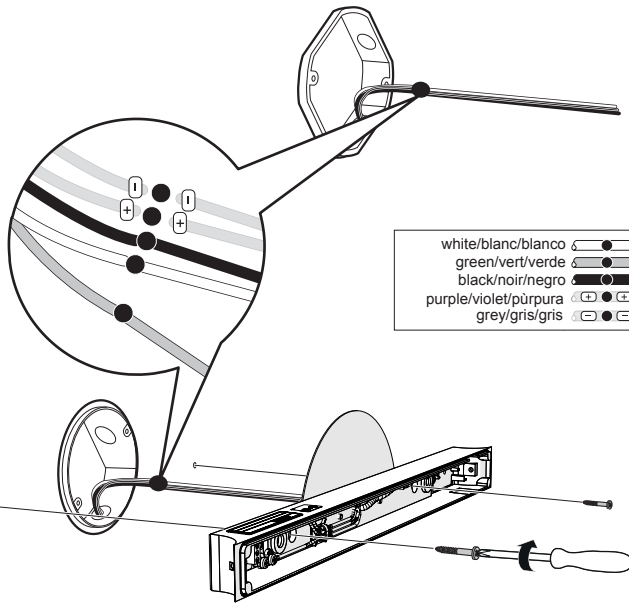
- | | | |
|--------------------|--|--------------------------|
| white/blanc/blanco | | white/blanc/blanco |
| green/vert/verde | | green/vert/verde |
| black/noir/negro | | black/noir/negro |
| | | transparent/transparents |
| | | transparent/transparents |

5b



120-277 V

1-10 V dimming control
Dimmable 1-10 V
Regulable mediante control 1-10 V



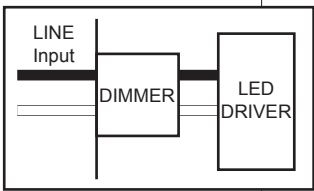
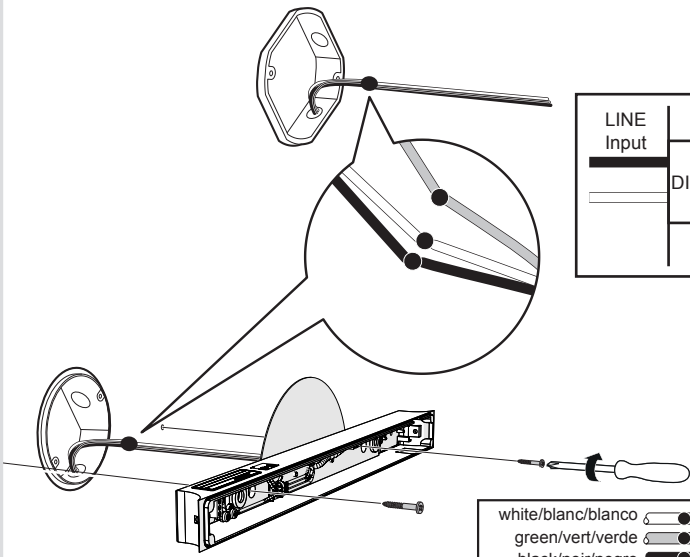
white/blanc/blanco		white/blanc/blanco
green/vert/verde		green/vert/verde
black/noir/negro		black/noir/negro
purple/violet/pùrpura		transparent/transparentsente
grey/gris/gris		transparent/transparentsente

5c

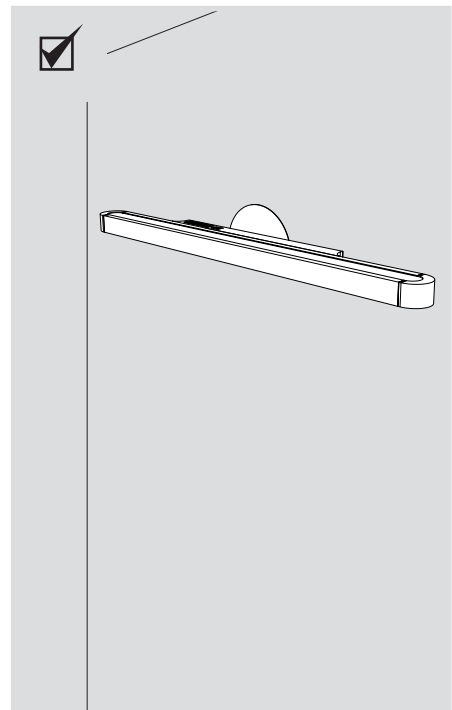
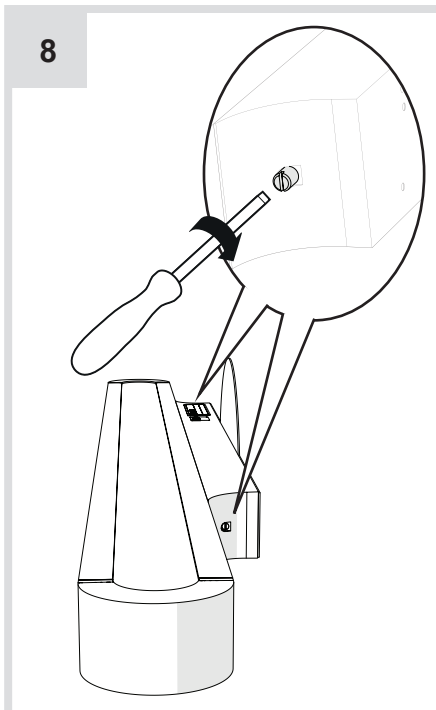
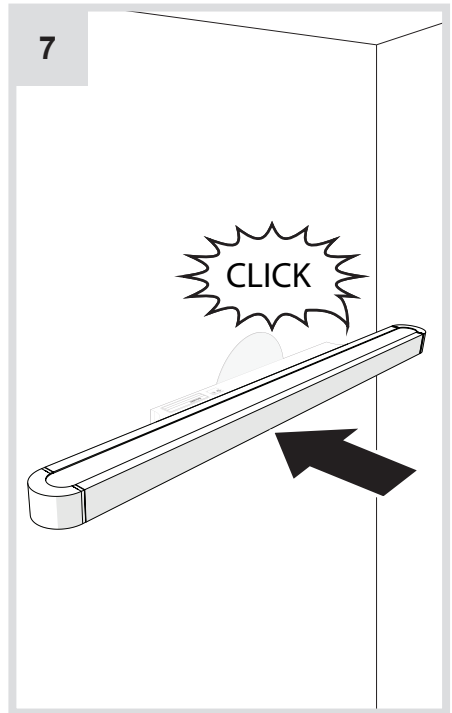
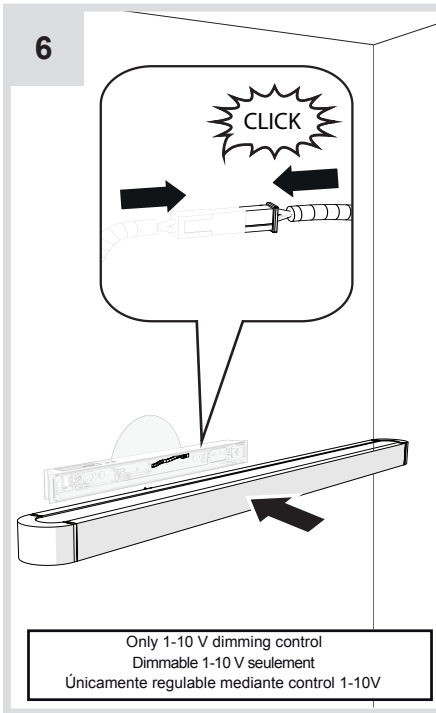


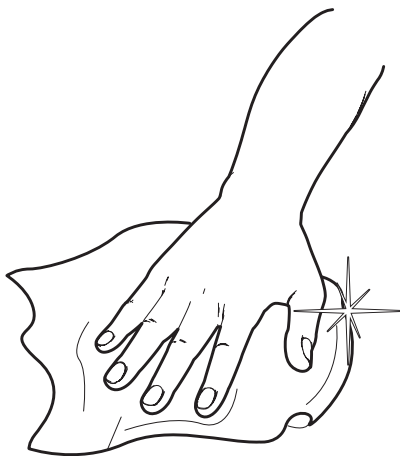
120 V

Phase cut
Coupure de phase
Corte de fase

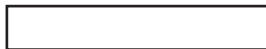


white/blanc/blanco		white/blanc/blanco
green/vert/verde		green/vert/verde
black/noir/negro		black/noir/negro





Artemide®



Artemide

via Bergamo, 18
20010 Pregnana M.se (MI)
ITALIA

tel. +39 02 935 181
fax +39 02 935 90 254
fax +39 02 935 90 496

www.artemide.com

VAT IT00846890150

Artemide Inc.

250 Karin Lane
Hicksville, NY 11801

Tel. 631 694 9292
Toll Free 1-877-Art-9111
Fax 631 694 9275

www.artemide.net

Artemide Ltée/Ltd.

11105 rue Renaude Lapointe
Montréal, Québec H1J 2T4

Tel. 514 323 6537
Toll Free 888 777 2783
Fax 514 323 8864

www.artemide.net

cod. Y513000263B