



Attention: Read and understand these instructions before installing fixture. This fixture is intended for installation in accordance with National Electric Code and local regulation: To assure full compliance with local codes and regulations, check with your local electrical inspector before installation. This equipment is guaranteed only when used as indicated in these instructions; Therefore they should be kept for future reference. To prevent electrical shock, turn off power supply before carrying out any connection or maintenance operations.

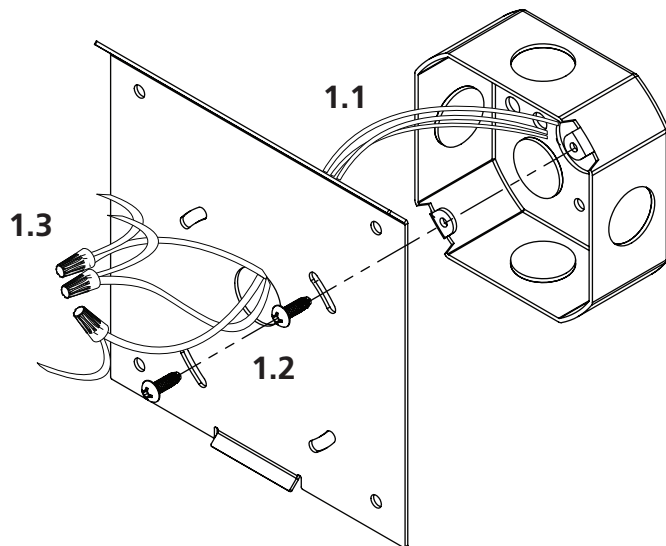
### STEP 1

#### Mounting

1. Pass wire through mounting plate

2. Install mounting plate

3. Make appropriate connections



| FIXTURE WIRES |     | CEILING WIRES |  |
|---------------|-----|---------------|--|
| GREEN         | (G) | GREEN         |  |
| BLACK         | (L) | BLACK         |  |
| WHITE         | (N) | WHITE         |  |

| FOR 0-10V DIM VERSION |               |
|-----------------------|---------------|
| FIXTURE WIRES         | CEILING WIRES |
| PURPLE                | (+) 0-10V +   |
| GREY                  | (-) 0-10V +   |

### STEP 2

1. Engage fixture body on mounting plate tab

2. Rotate flat to wall

3. Fix the fixture using set screw provided

