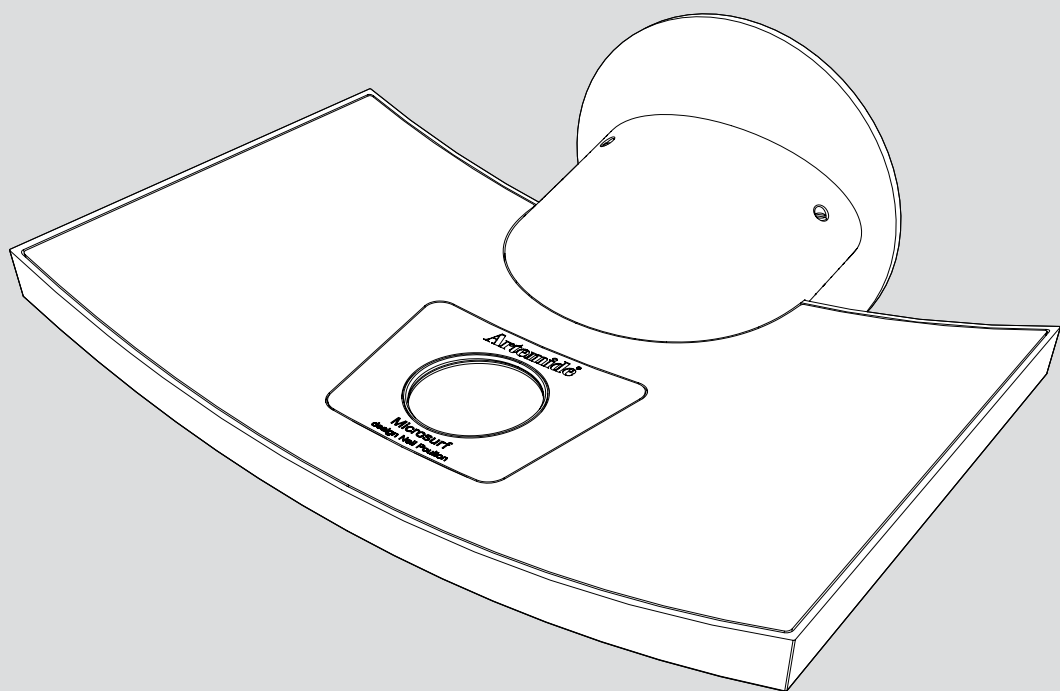


Artemide®

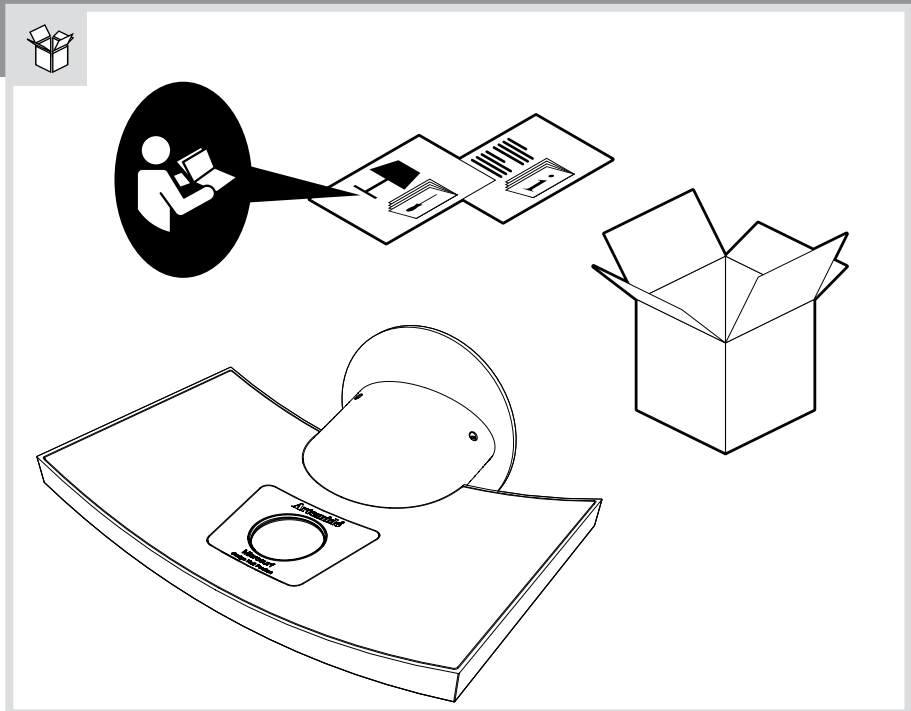
Microsurf

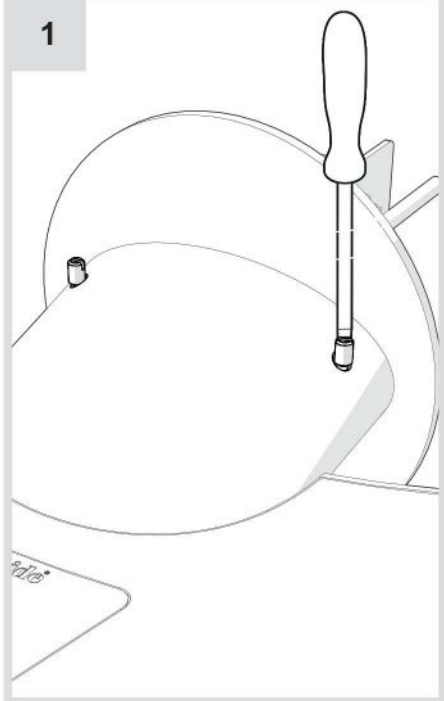
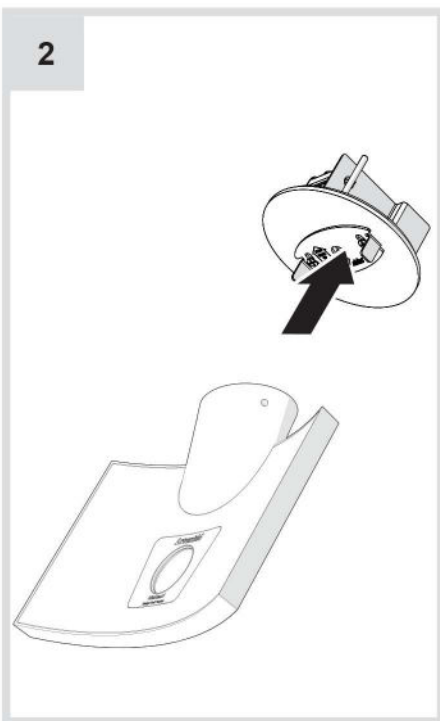
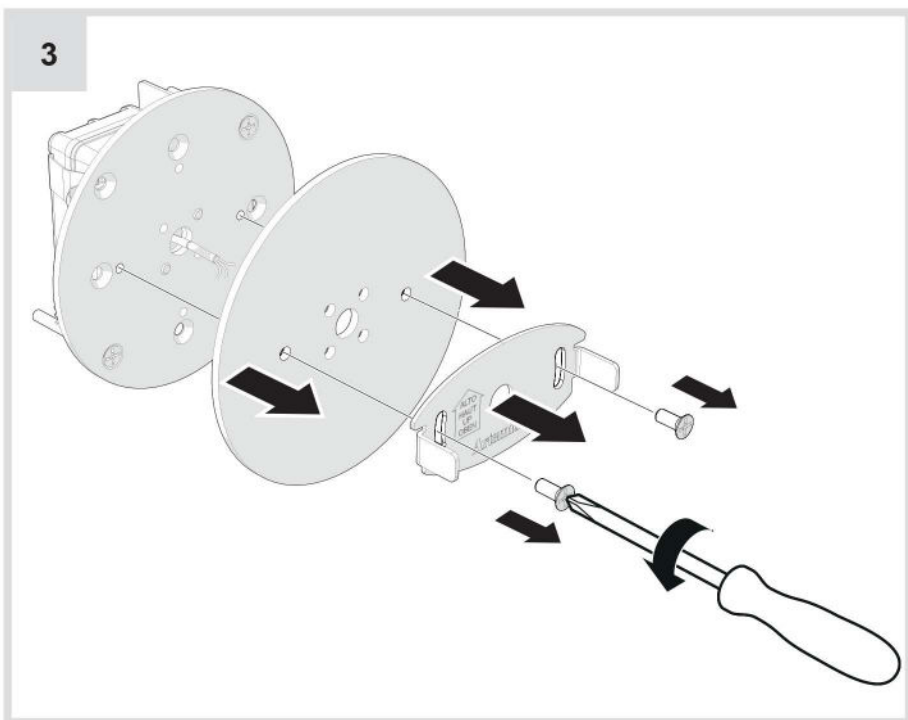
design
N. Poulton





i



1**2****3**

4a



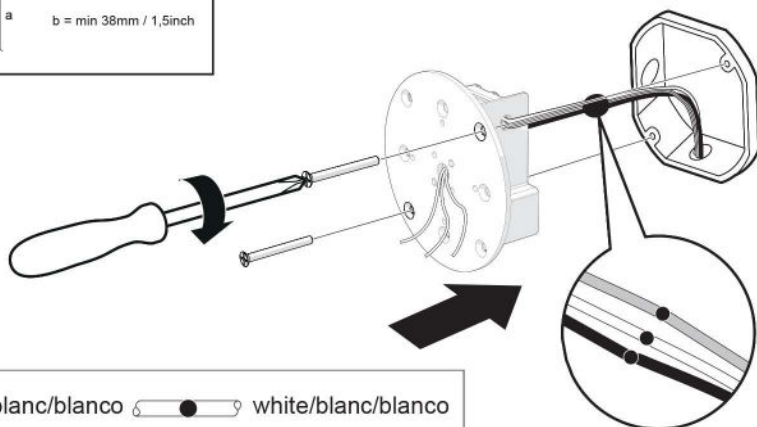
For voltage refer to lamp driver
 Pour la tension, se référer au driver de la lampe
 Para el voltaje consultar el alimentador de la lámpara



Vol = min 250cm² / 15,25 inch²

a = min 86mm / 3,4 inch

b = min 38mm / 1,5inch



white/blanc/blanco		white/blanc/blanco
black/noir/negro		black/noir/negro
green/vert/verde		green/vert/verde

4b



120-277 V

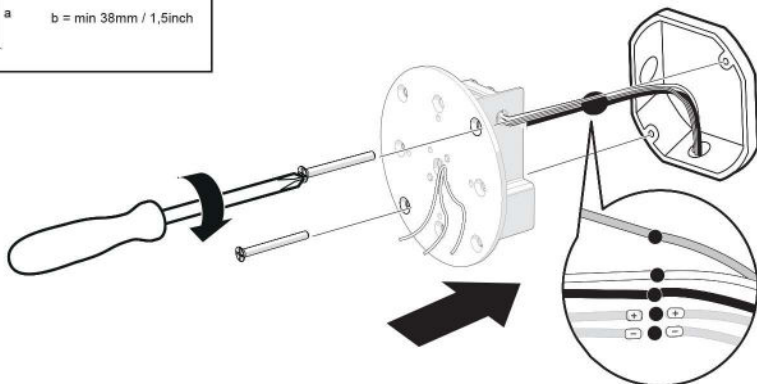
0-10 V dimming control
 Dimmable 0-10 V
 Regulable mediante control 0-10 V



Vol = min 250cm² / 15,25 inch²

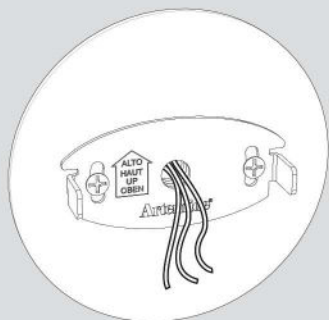
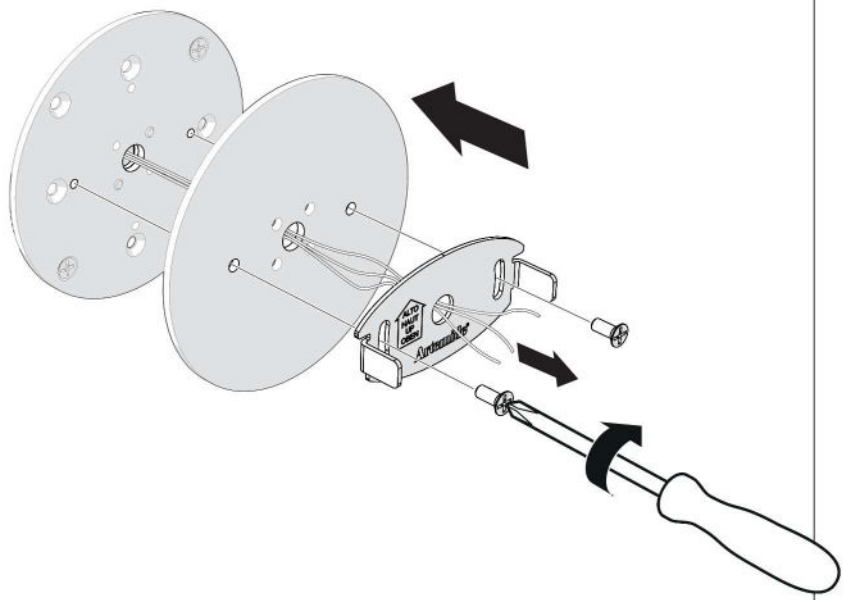
a = min 86mm / 3,4 inch

b = min 38mm / 1,5inch

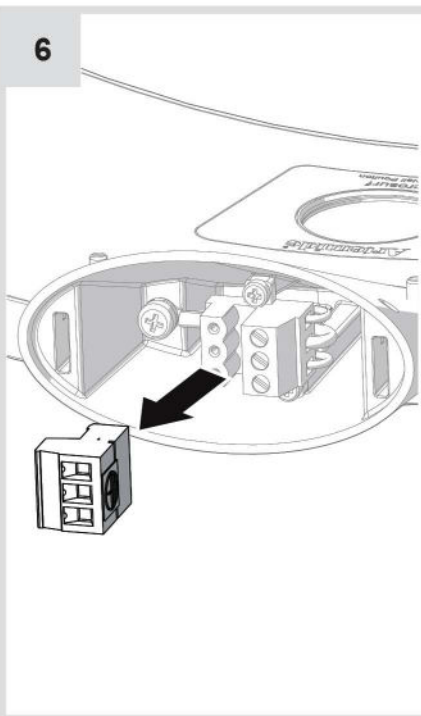


white/blanc/blanco		white/blanc/blanco
green/vert/verde		green/vert/verde
black/noir/negro		black/noir/negro
purple/violet/púrpura		transparent/transparents
grey/gris/gris		transparent/transparents

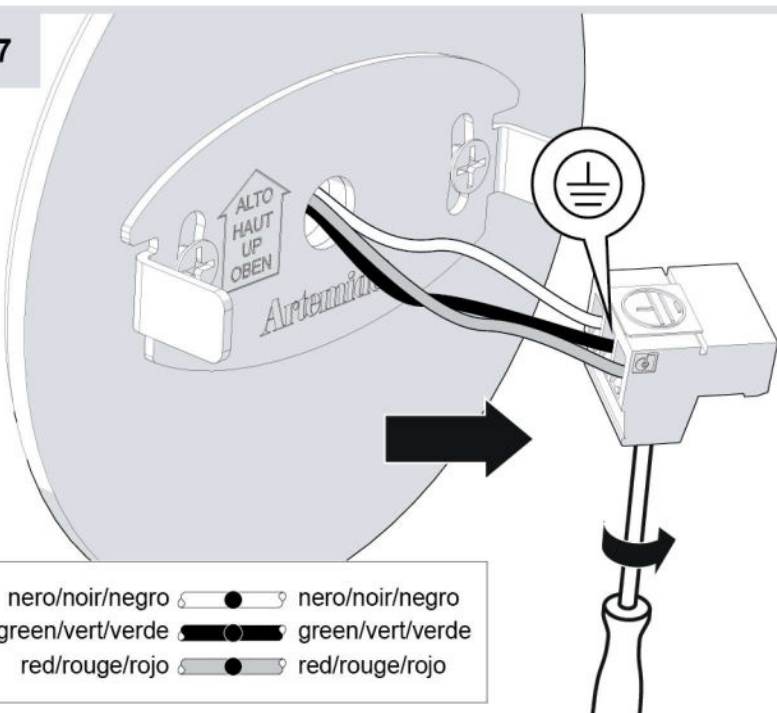
5



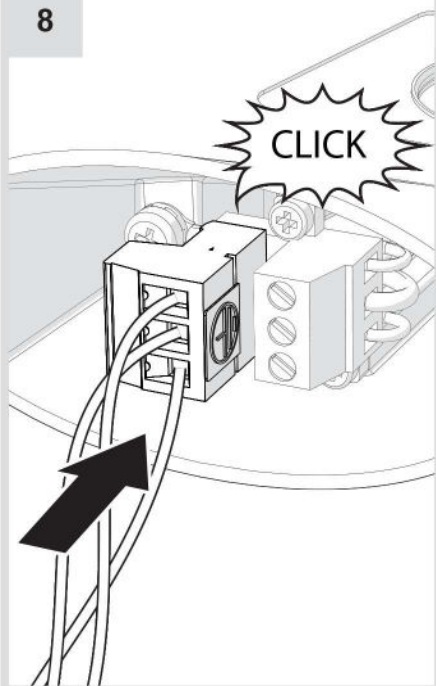
6



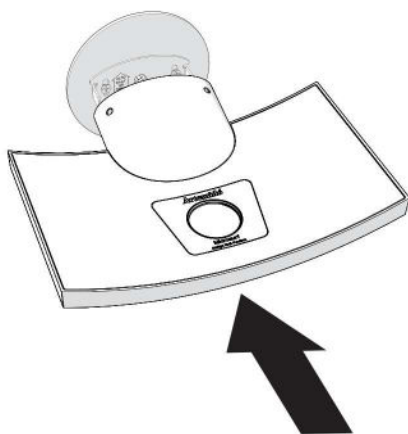
7



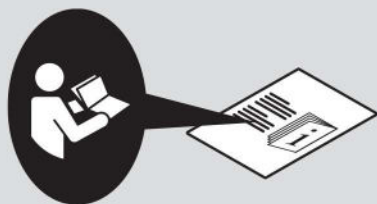
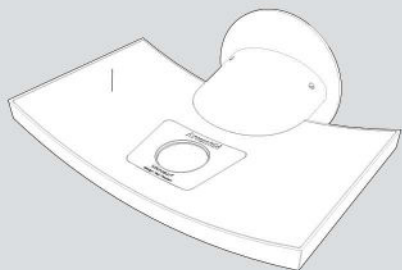
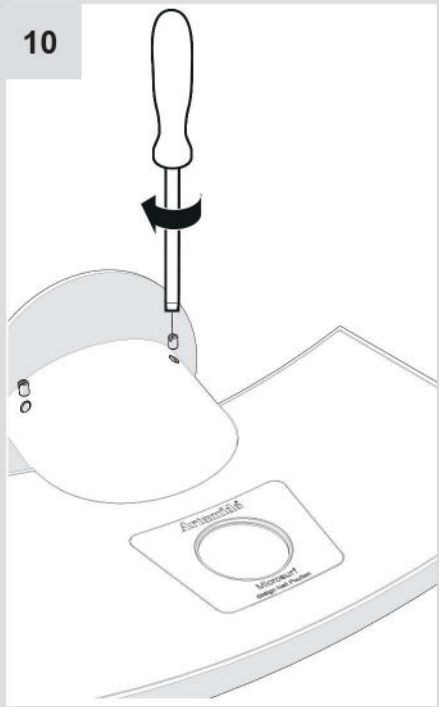
8



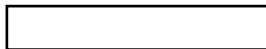
9



10



Artemide®



Artemide

via Bergamo, 18
20010 Pregnana M.se (MI)
ITALIA

tel. +39 02 935 181
fax +39 02 935 90 254
fax +39 02 935 90 496

www.artemide.com

VAT IT00846890150

Artemide Inc.

250 Karin Lane
Hicksville, NY 11801

Tel. 631 694 9292
Toll Free 1-877-Art-9111
Fax 631 694 9275

www.artemide.net

Artemide Ltée/Ltd.

11105 rue Renaude Lapointe
Montréal, Québec H1J 2T4

Tel. 514 323 6537
Toll Free 888 777 2783
Fax 514 323 8864

www.artemide.net

cod. Y513000293C