



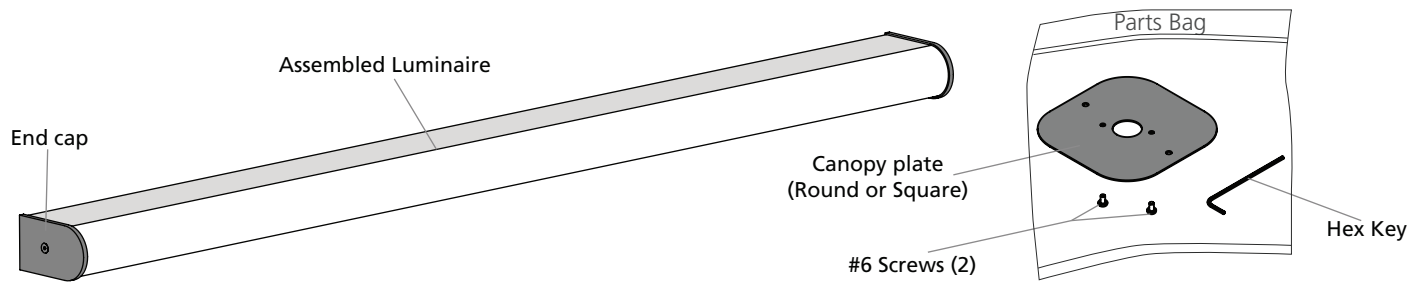
Attention: Read and understand these instructions before installing fixture. This fixture is intended for installation in accordance with the National Electric Code and local regulation. To assure full compliance with local codes and regulations, check with your local electrical inspector before installation. This equipment is guaranteed only when used as indicated in these instructions; therefore they should be kept for future reference. To prevent electrical shock, turn off power supply before carrying out any connection or maintenance operations. During installation, the LED chips may be exposed; please do not touch them to ensure proper long-term operation.

NOTE

The following instructions apply to both Round and Square versions of LEDBAR identically; only the round model is illustrated to simplify. The fixture can be mounted in any desired orientation.

STEP 1

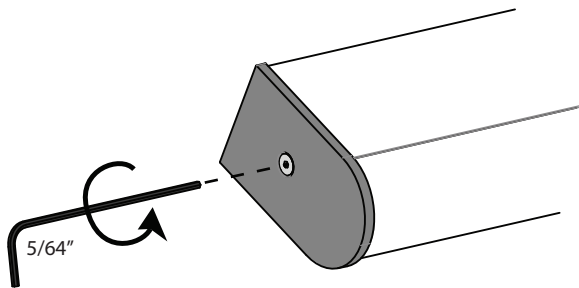
Make sure you have all the elements of the fixture. Your box should contain the following parts:



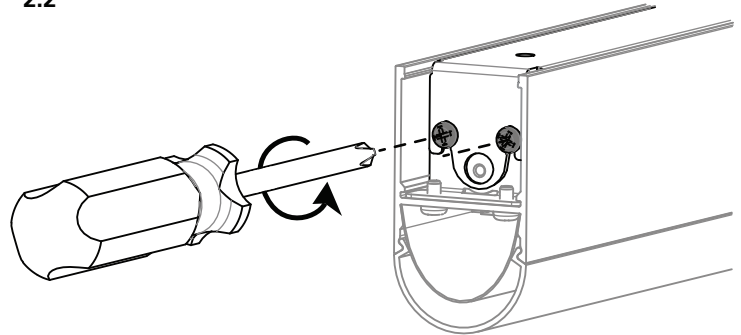
STEP 2

- 2.1 Remove both end caps using 5/64" Hex Key (supplied) to expose mounting backplate
- 2.2 Loosen screws (Philips #2) slightly on each end to release backplate from luminaire

2.1

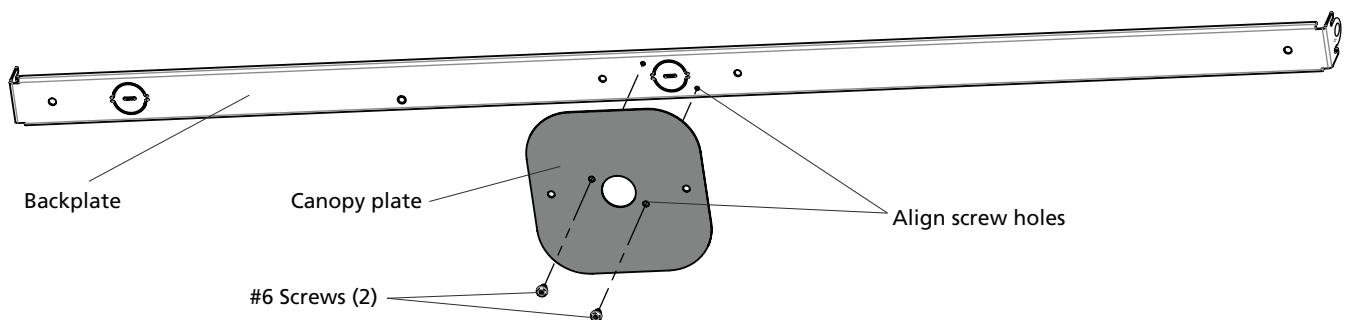


2.2



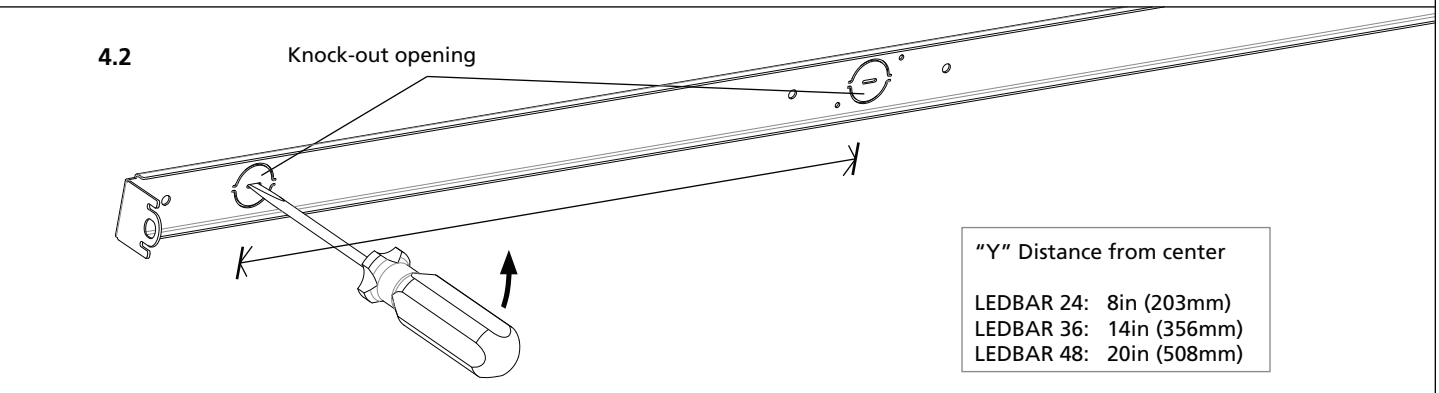
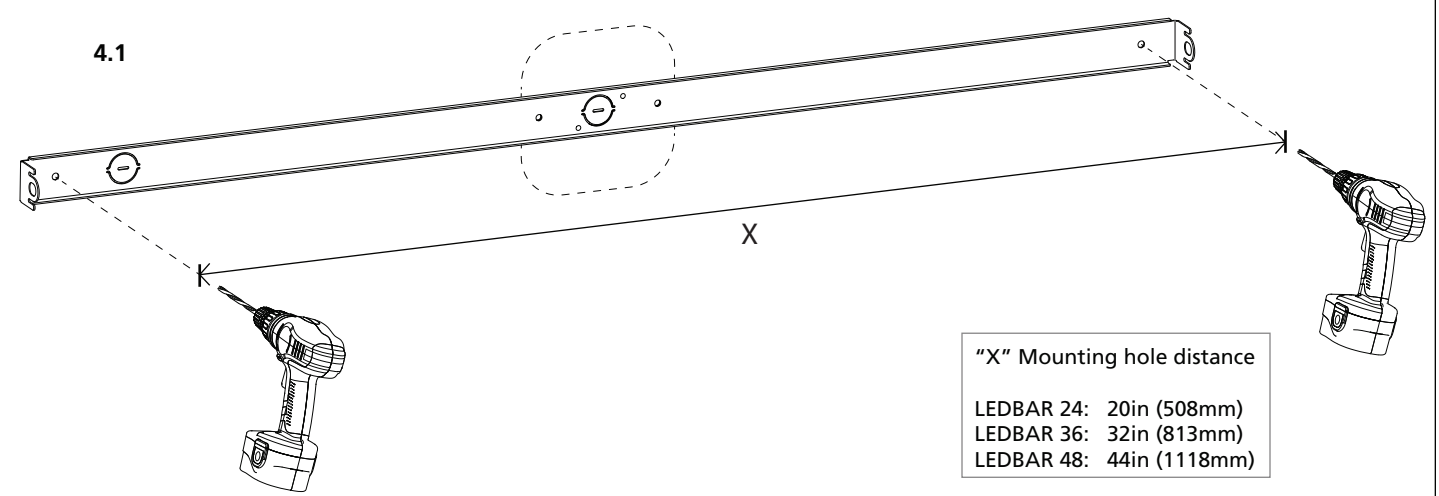
STEP 3 (Optional)

If mounting luminaire directly over electrical junction box, mount canopy plate to luminaire backplate using the provided #6 screws (2)

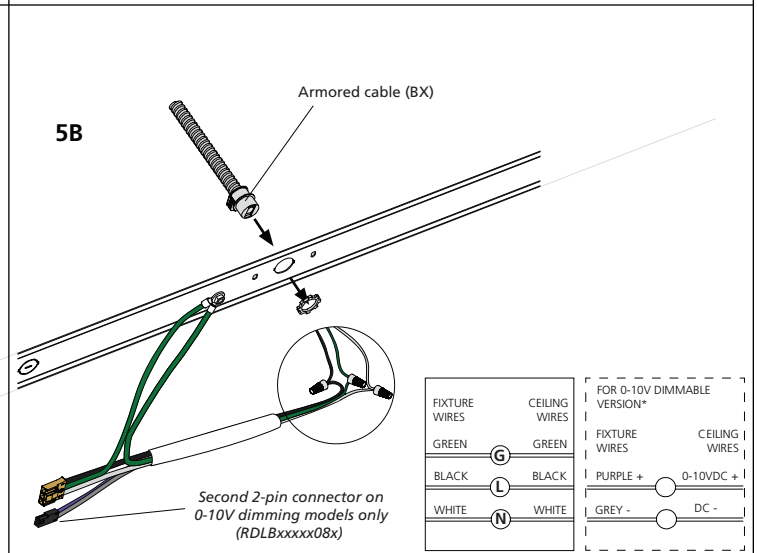
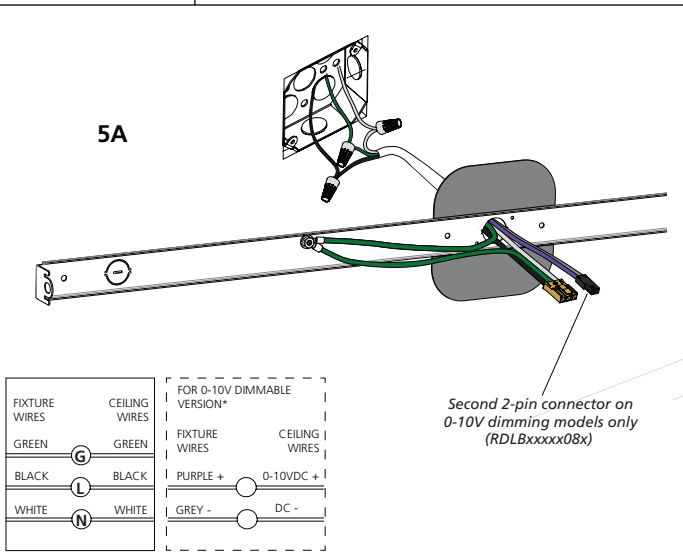




STEP 4 4.1 Measure and mark and drill appropriate hole distance to mount backplate to wall or ceiling. Install anchors if required (not included).
4.2 Pry out the knock-out opening corresponding to the installation type, to feed the wiring through



STEP 5 (A) In case of junction box mounting Make appropriate electrical connections to backplate harness, passing through knock-out opening
(B) In case of direct wire mounting (BX Connection): Connect the electrical feed to the backplate of the fixture through the knock-out opening, and make the electrical connections to the backplate harness

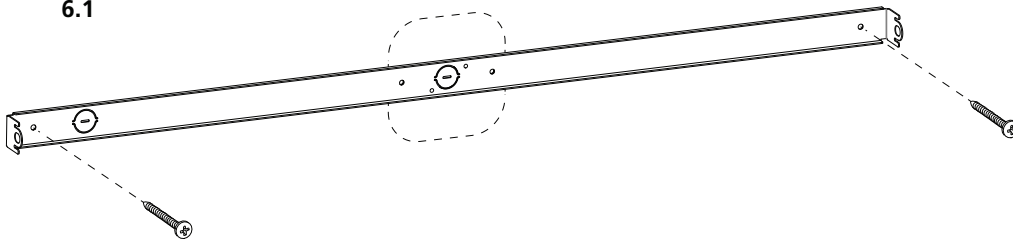




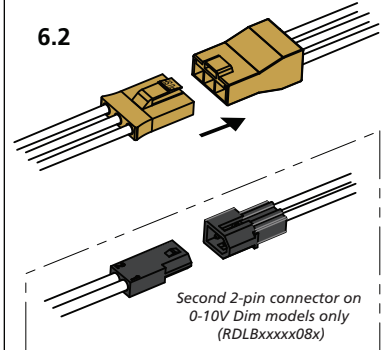
STEP 6

1. Fix the mounting plate to the wall using the holes previously drilled (screws not supplied)
2. Connect the backplate's female to the fixture's male connector (yellow)
3. Mount the fixture to the backplate and secure it using the screws removed in STEP 2.2

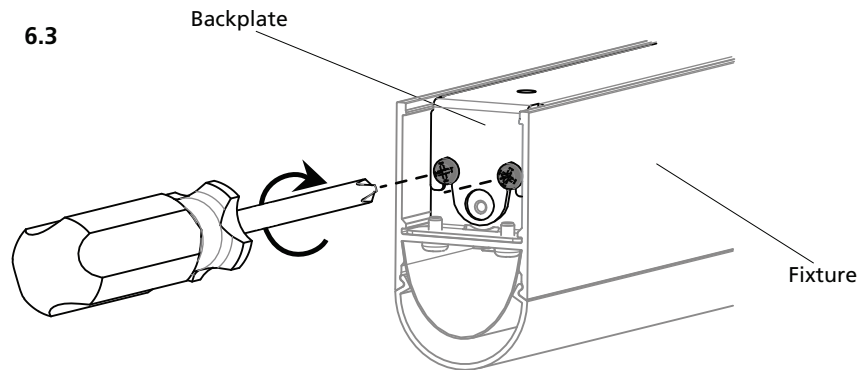
6.1



6.2



6.3



STEP 7

Screw the end caps back onto the fixture

