

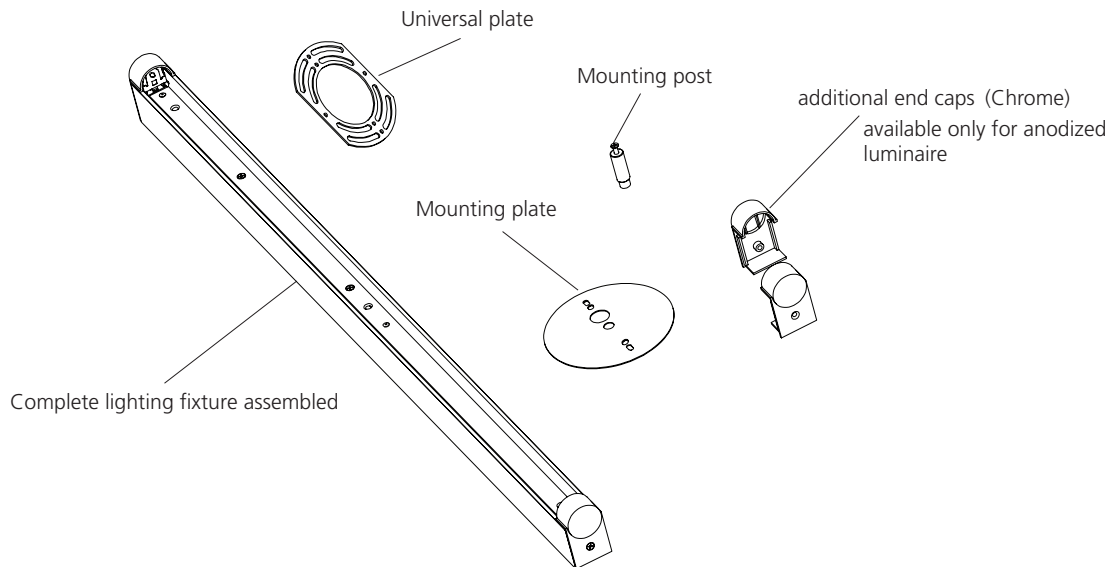


Attention: Read and understand these instructions before installing fixture. This fixture is intended for installation in accordance with National Electric Code and local regulation: To assure full compliance with local codes and regulations, check with your local electrical inspector before installation. This equipment is guaranteed only when used as indicated in these instructions; Therefore they should be kept for future reference. To prevent electrical shock, turn off power supply before carrying out any connection or maintenance operations.

STEP 1

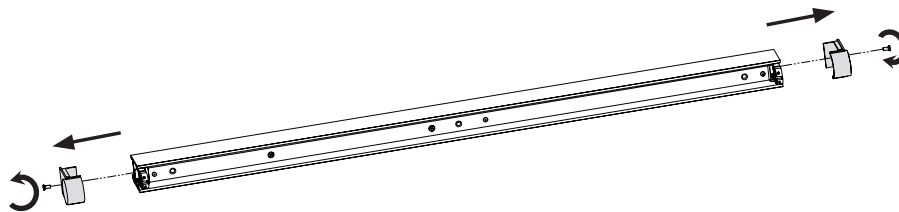
Make sure you have all the elements of the fixture

Your box should contain the following parts



STEP 2

Remove the end-caps





STEP 3	<ol style="list-style-type: none"> 1. Fix the universal plate to the J-Box (screws not supplied) 2. Connect the mounting post to the mounting plate 	<ol style="list-style-type: none"> 3. Pass wire through large hole of the mounting plate and make the appropriate electrical connection

STEP 4	<p>Mount the fixture on the wall/ceiling</p> <ol style="list-style-type: none"> 1. Fix the mounting plate to the universal plate 2. Fix the fixture to the mounting post 3. Mark the mounting points on the wall/ceiling through the mounting holes <p>For reference: Basic Strip 24: D=20" (508mm) Basic Strip 36: D=32" (813mm) Basic Strip 48: D=44" (1118mm)</p> <ol style="list-style-type: none"> 4. Pivot the fixture to any position to see the mounting points 5. Drill the mounting holes according to surface condition and selected hardware (not supplied) 6. Reposition the fixture 7. Mount the fixture on the wall/ceiling using the appropriate screws and anchors (not supplied) 8. Install the lamps 	

