

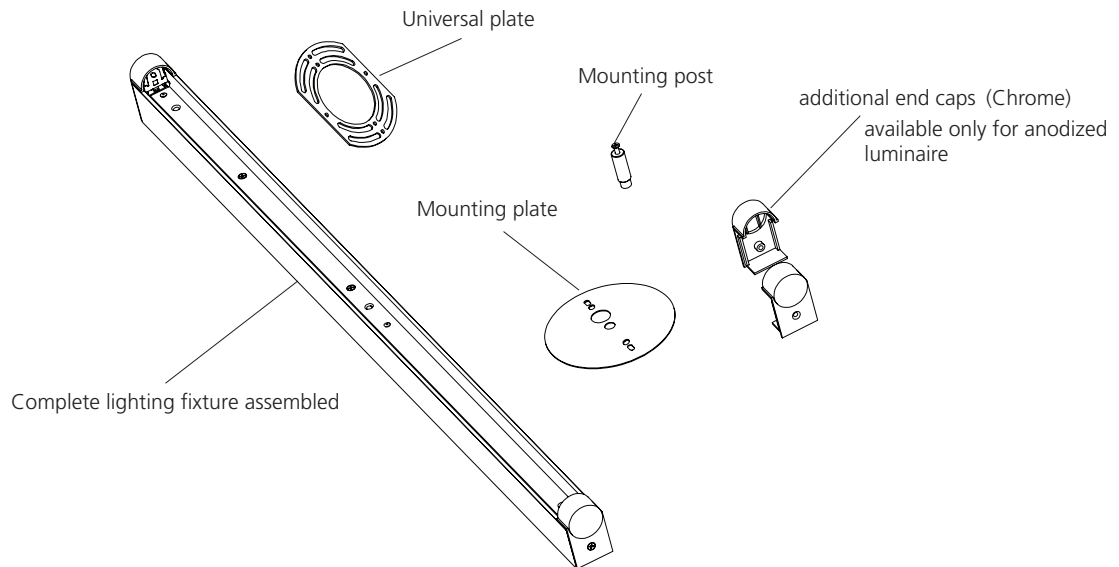


*Attention: Read and understand these instructions before installing fixture. This fixture is intended for installation in accordance with National Electric Code and local regulation: To assure full compliance with local codes and regulations, check with your local electrical inspector before installation. This equipment is guaranteed only when used as indicated in these instructions; Therefore they should be kept for future reference. To prevent electrical shock, turn off power supply before carrying out any connection or maintenance operations.*

### STEP 1

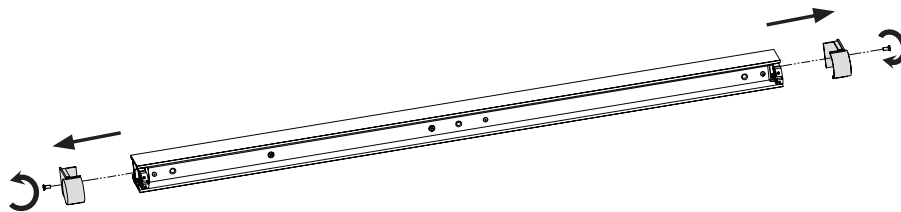
Make sure you have all the elements of the fixture

Your box should contain the following parts



### STEP 2

Remove the end-caps





<b>STEP 3</b>	<ol style="list-style-type: none"> <li>1. Fix the universal plate to the J-Box (screws not supplied)</li> <li>2. Connect the mounting post to the mounting plate</li> </ol>	<ol style="list-style-type: none"> <li>3. Pass wire through large hole of the mounting plate and make the appropriate electrical connection</li> </ol>

<b>STEP 4</b>	<p>Mount the fixture on the wall/ceiling</p> <ol style="list-style-type: none"> <li>1. Fix the mounting plate to the universal plate</li> <li>2. Fix the fixture to the mounting post</li> <li>3. Mark the mounting points on the wall/ceiling through the mounting holes</li> </ol> <p>For reference:            Basic Strip 24: D=20" (508mm)            Basic Strip 36: D=32" (813mm)            Basic Strip 48: D=44" (1118mm)</p> <ol style="list-style-type: none"> <li>4. Pivot the fixture to any position to see the mounting points</li> <li>5. Drill the mounting holes according to surface condition and selected hardware (not supplied)</li> <li>6. Reposition the fixture</li> <li>7. Mount the fixture on the wall/ceiling using the appropriate screws and anchors (not supplied)</li> <li>8. Install the lamps</li> </ol>	

