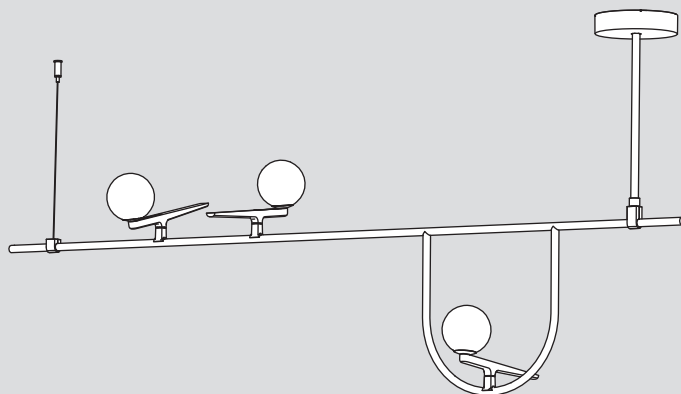
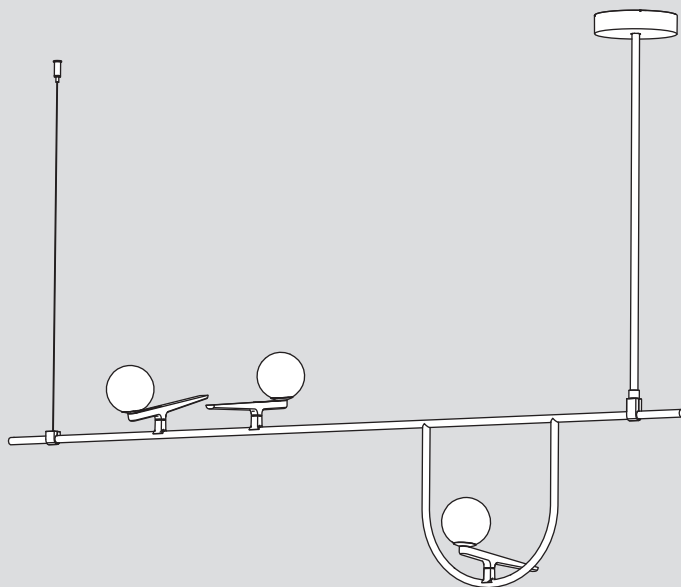


# Artemide®

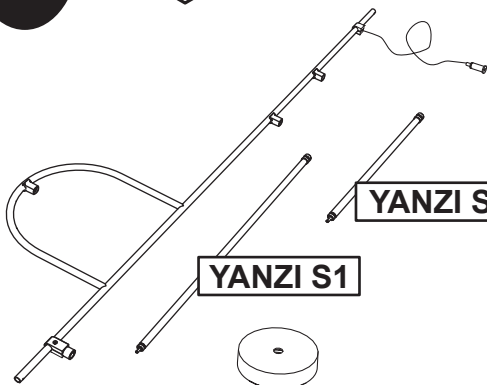
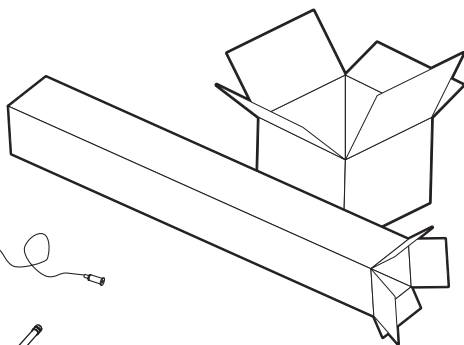
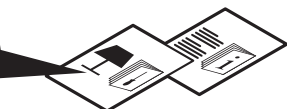
## Yanzi

design  
Neri & Hu



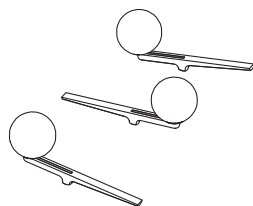


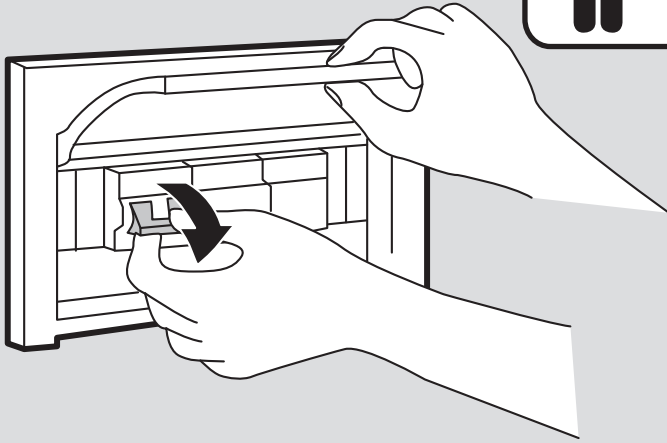
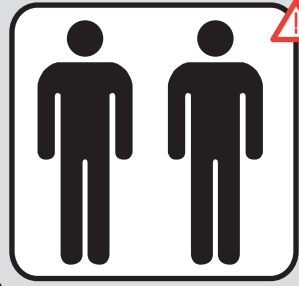
i



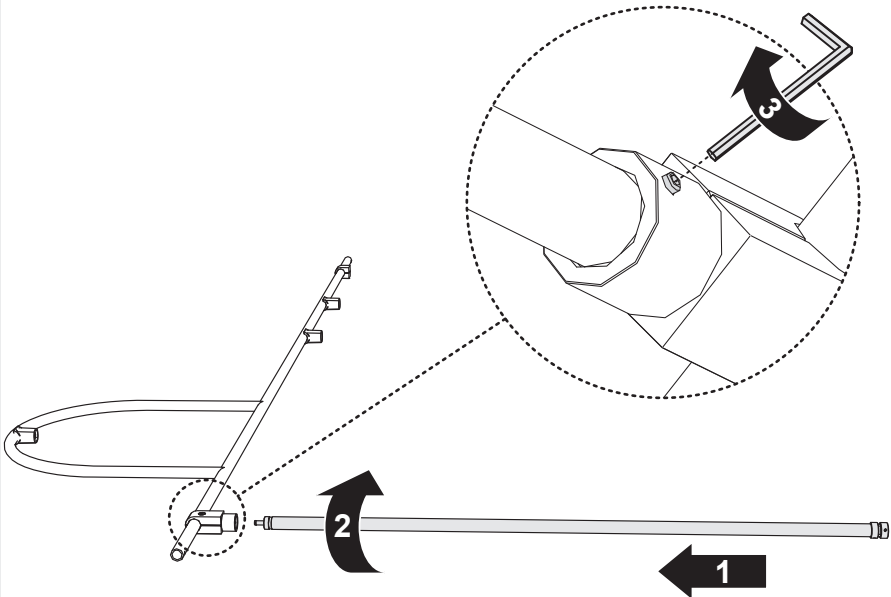
YANZI S1

YANZI S/C1

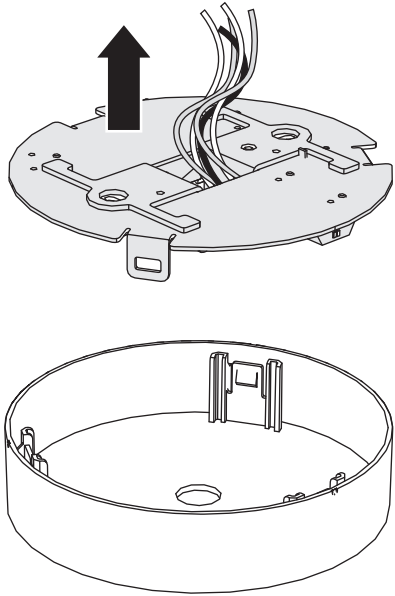




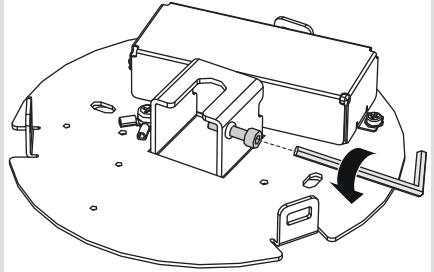
1



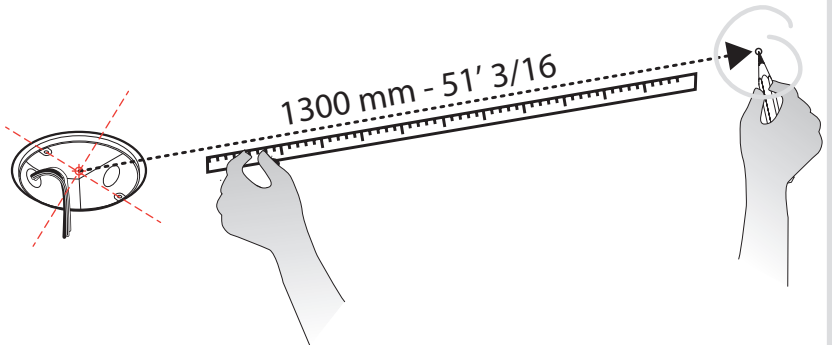
2



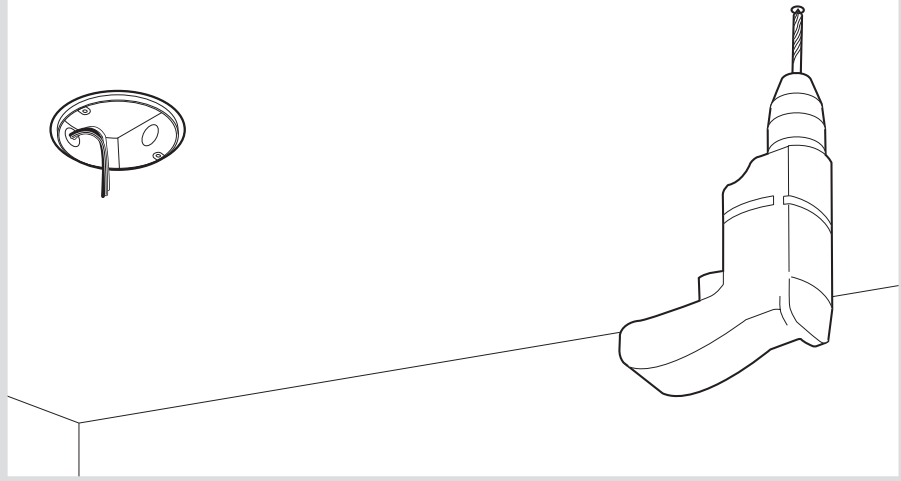
3



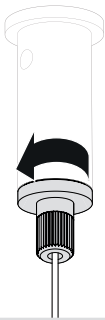
4



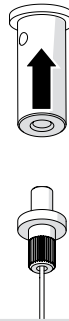
5



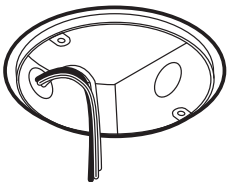
6



7



8

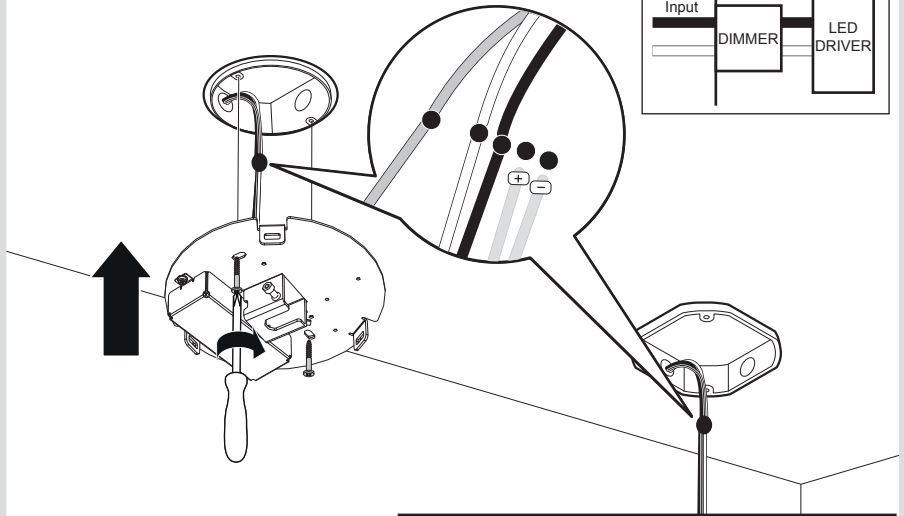
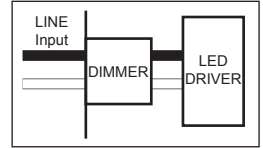


9a



120 V

Phase cut  
Coupure de phase  
Corte de fase



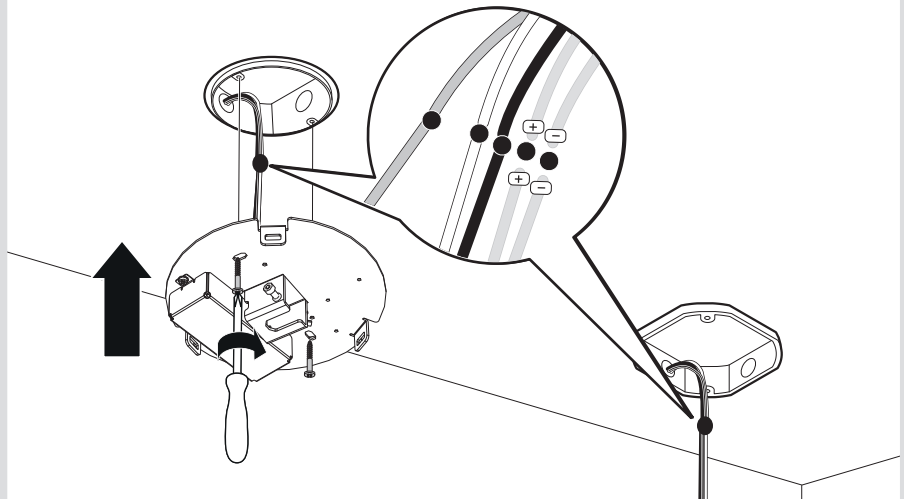
- white/blanc/blanco white/blanc/blanco
- green/vert/verde green/vert/verde
- black/noir/negro black/noir/negro

9b



120-277 V

1-10 V dimming control  
Dimmable 1-10 V  
Regulable mediante control 1-10 V

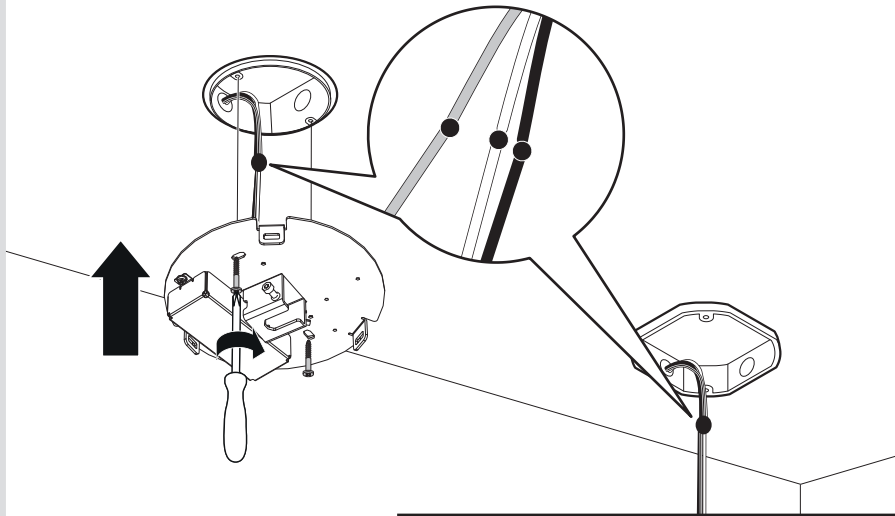


- white/blanc/blanco white/blanc/blanco
- green/vert/verde green/vert/verde
- black/noir/negro black/noir/negro
- purple/violet/pùrpura transparent/transparentsente
- grey/gris/gris transparent/transparentsente

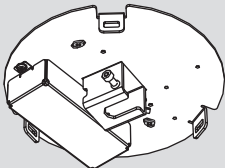
9c



120-277 V



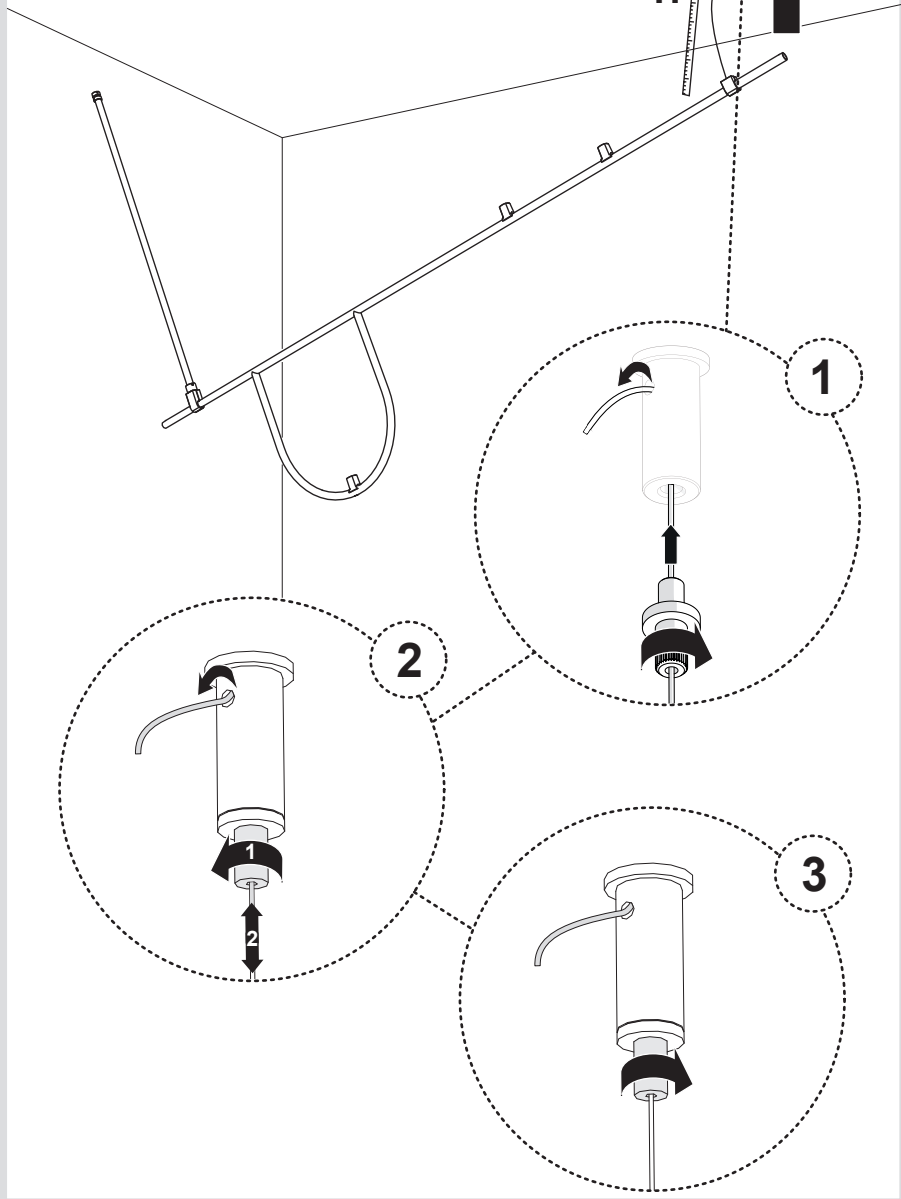
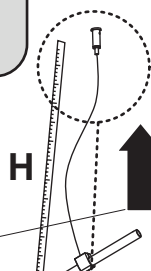
white/blanc/blanco		white/blanc/blanco
green/vert/verde		green/vert/verde
black/noir/negro		black/noir/negro



10

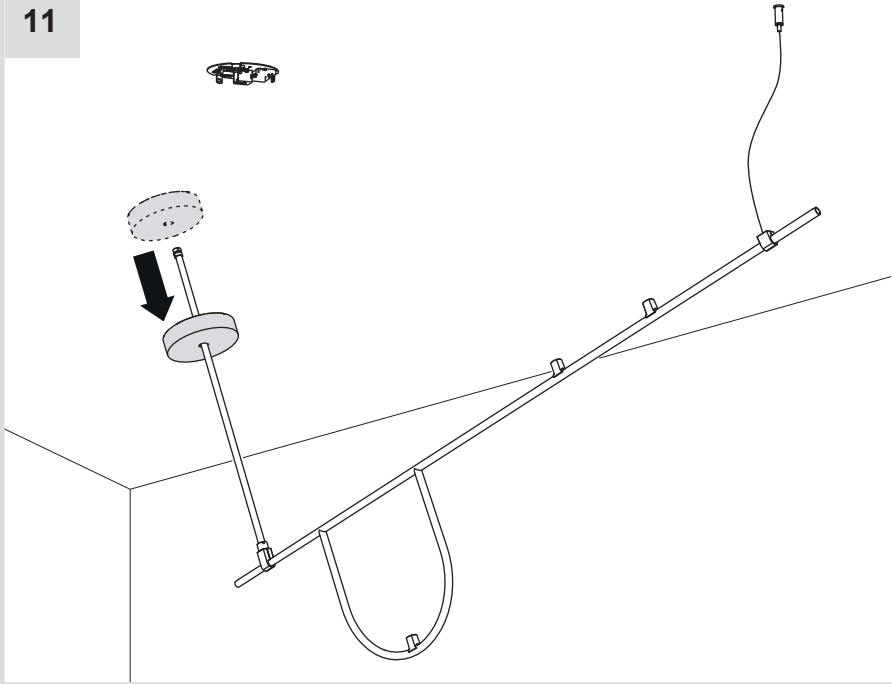
YANZI S/C1 ➔ H=275 mm / 10' 53/64

YANZI S1 ➔ H=700 mm / 29' 9/16

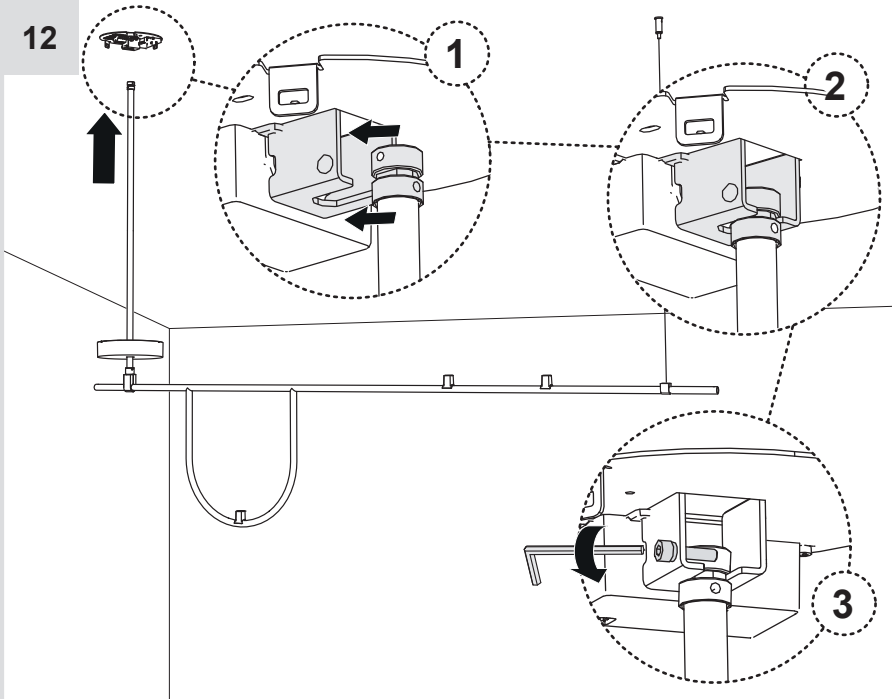




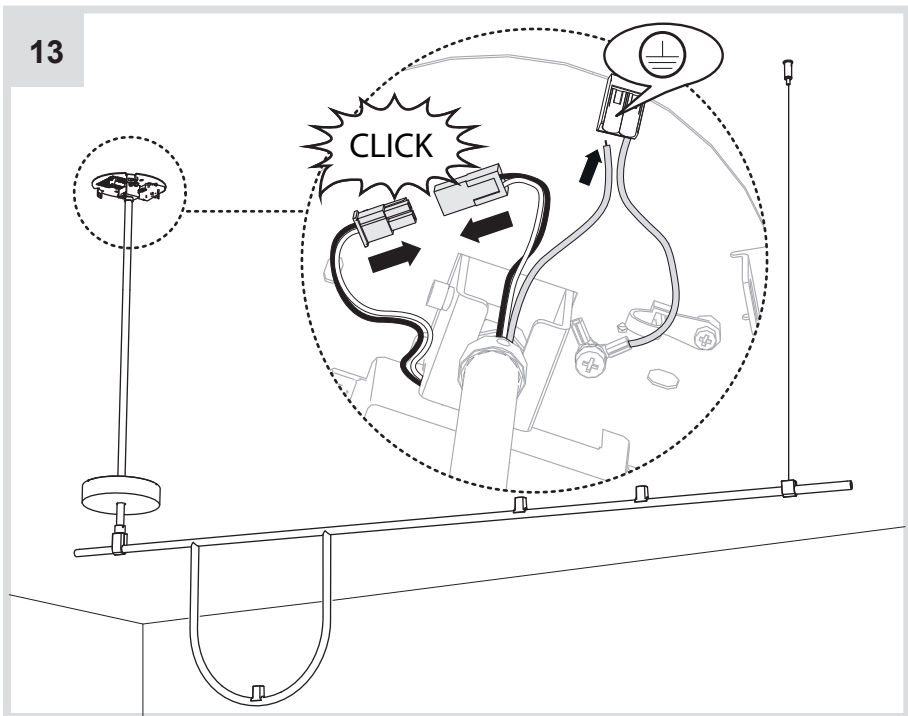
11



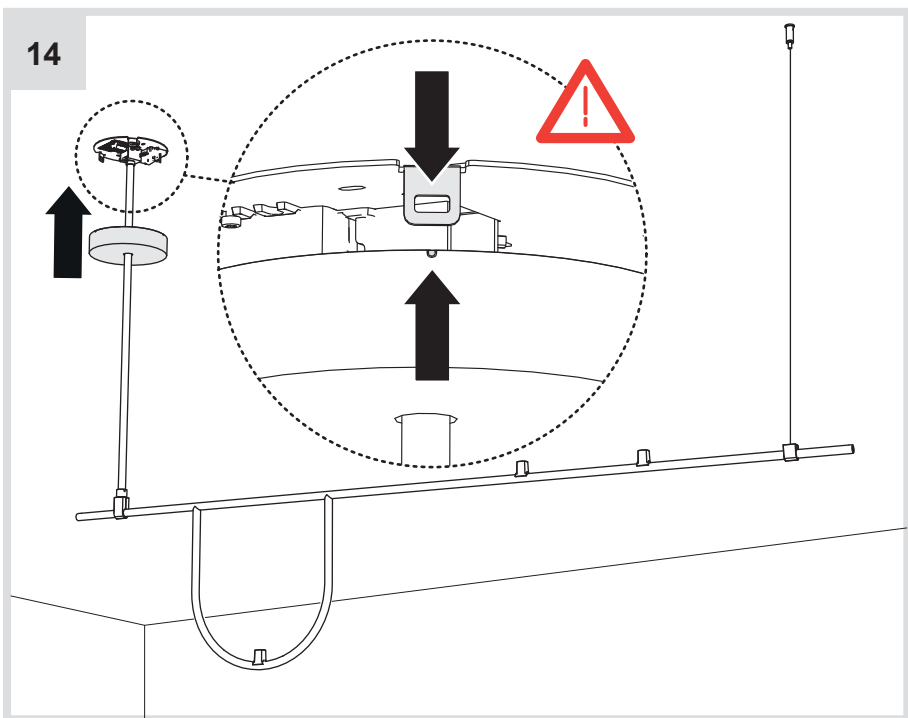
12



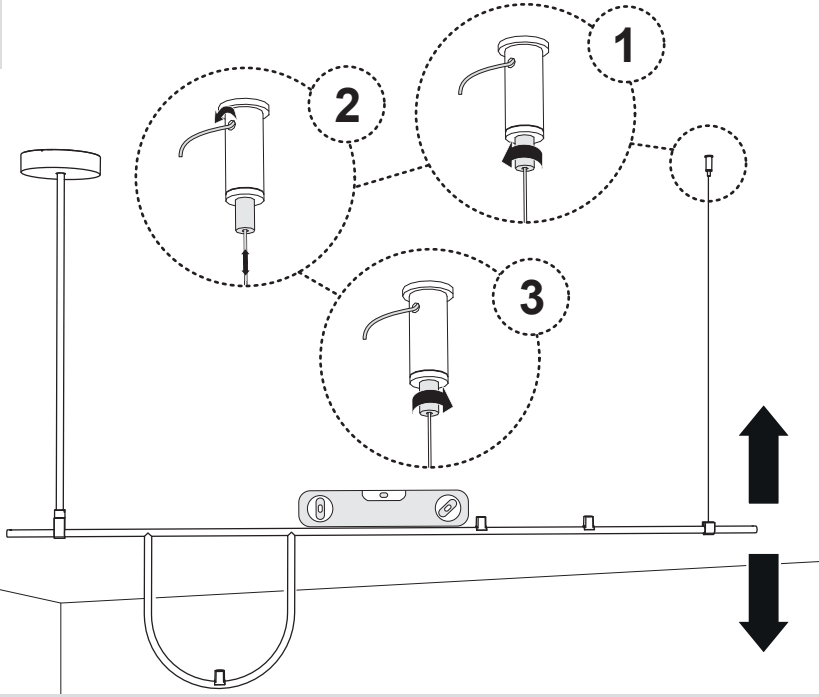
13



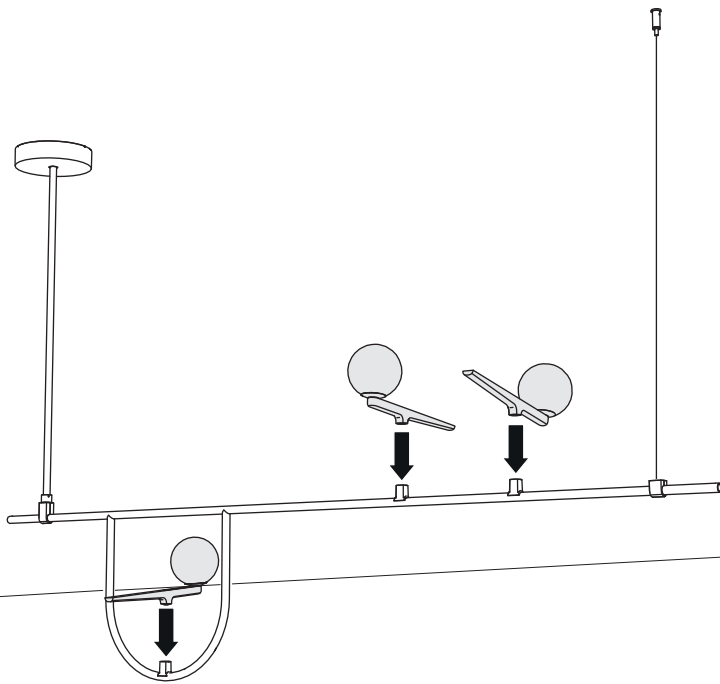
14

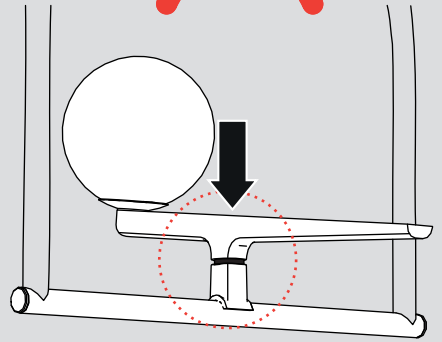
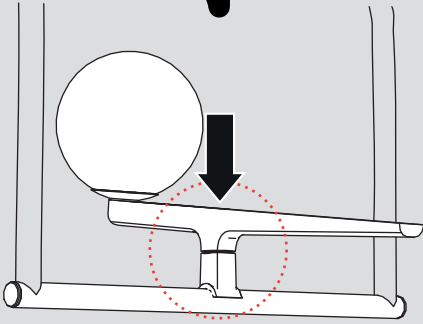


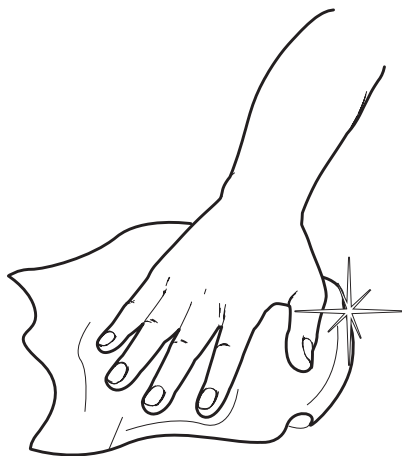
15



16











# Artemide®



## **Artemide**

via Bergamo, 18  
20010 Pregnana M.se (MI)  
ITALIA

tel. +39 02 935 181  
fax +39 02 935 90 254  
fax +39 02 935 90 496

[www.artemide.com](http://www.artemide.com)

VAT IT00846890150

## **Artemide Inc.**

250 Karin Lane  
Hicksville, NY 11801

Tel. 631 694 9292  
Toll Free 1-877-Art-9111  
Fax 631 694 9275

[www.artemide.net](http://www.artemide.net)

## **Artemide Ltée/Ltd.**

11105 rue Renaude Lapointe  
Montréal, Québec H1J 2T4

Tel. 514 323 6537  
Toll Free 888 777 2783  
Fax 514 323 8864

[www.artemide.net](http://www.artemide.net)

cod. Y513000915A