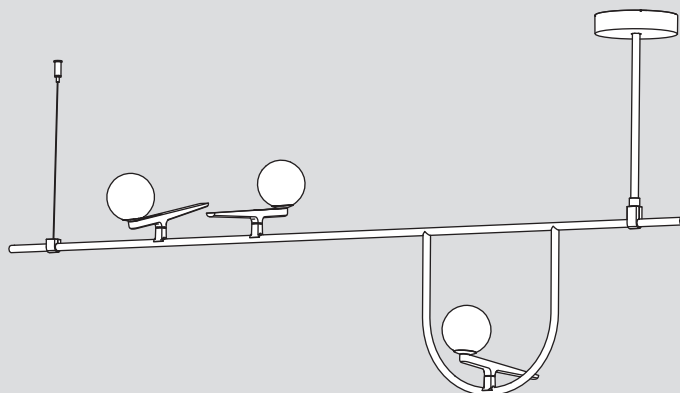
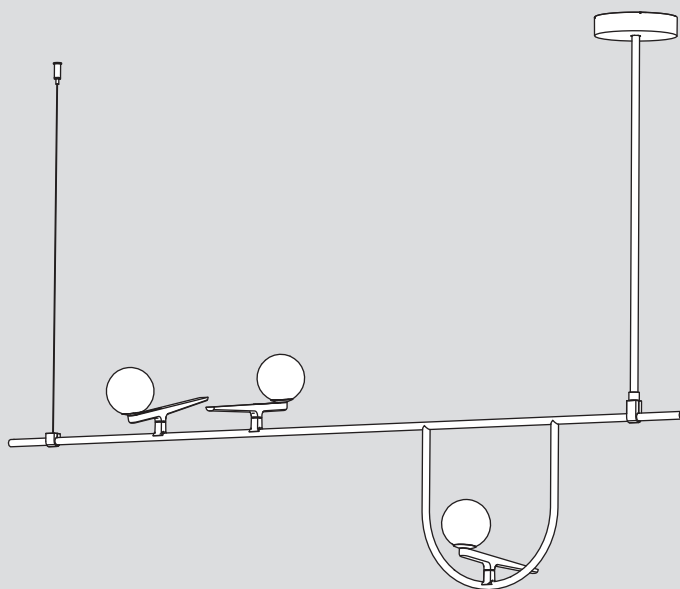


Artemide®

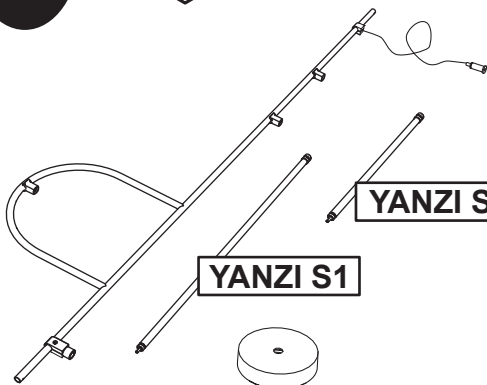
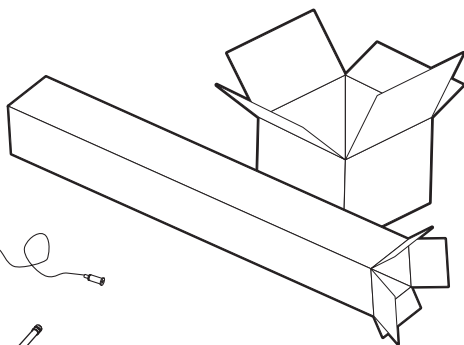
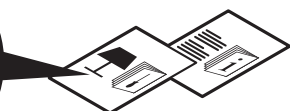
Yanzi

design
Neri & Hu



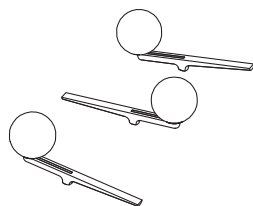


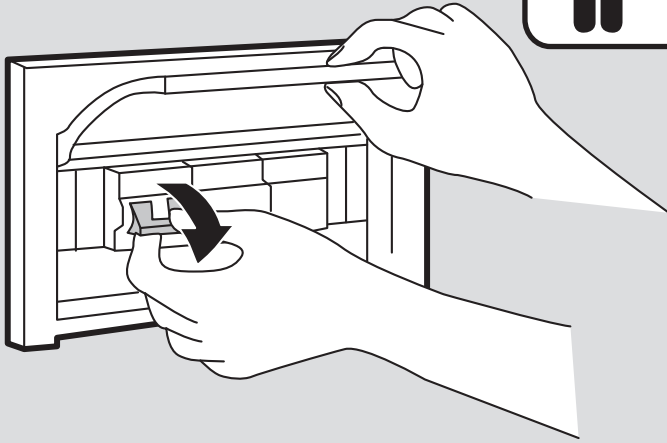
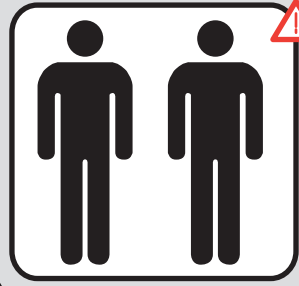
i



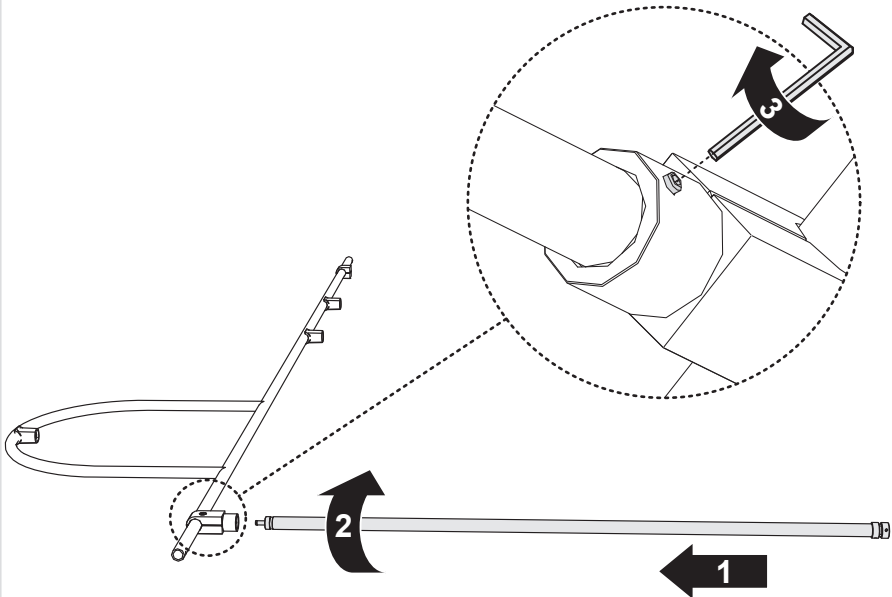
YANZI S1

YANZI S/C1

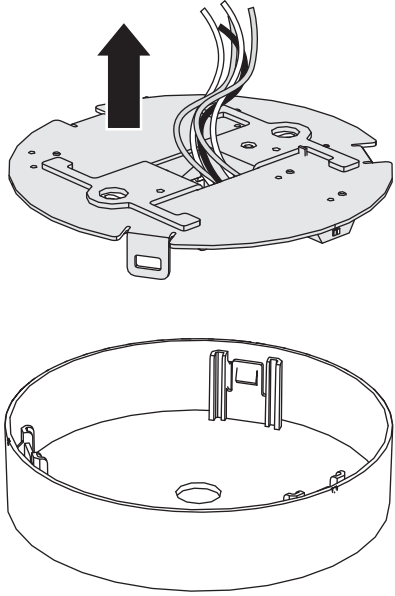




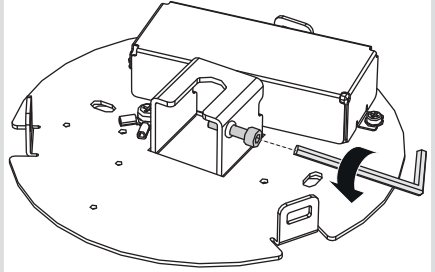
1



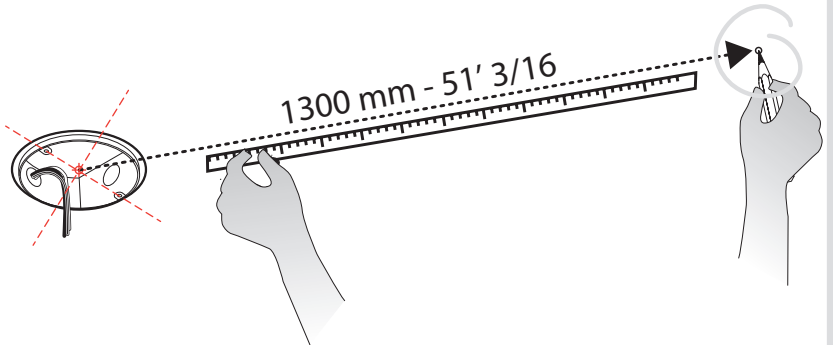
2



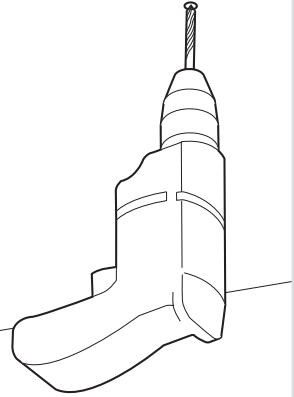
3



4



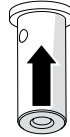
5



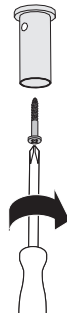
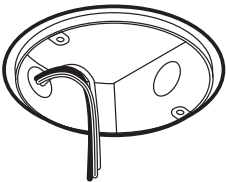
6



7

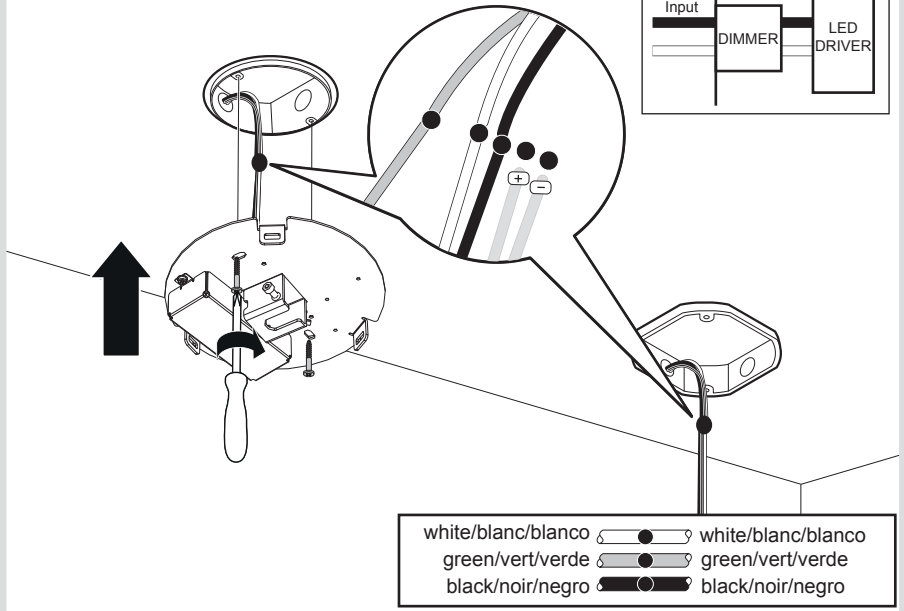
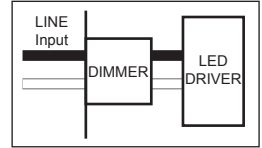


8



9a

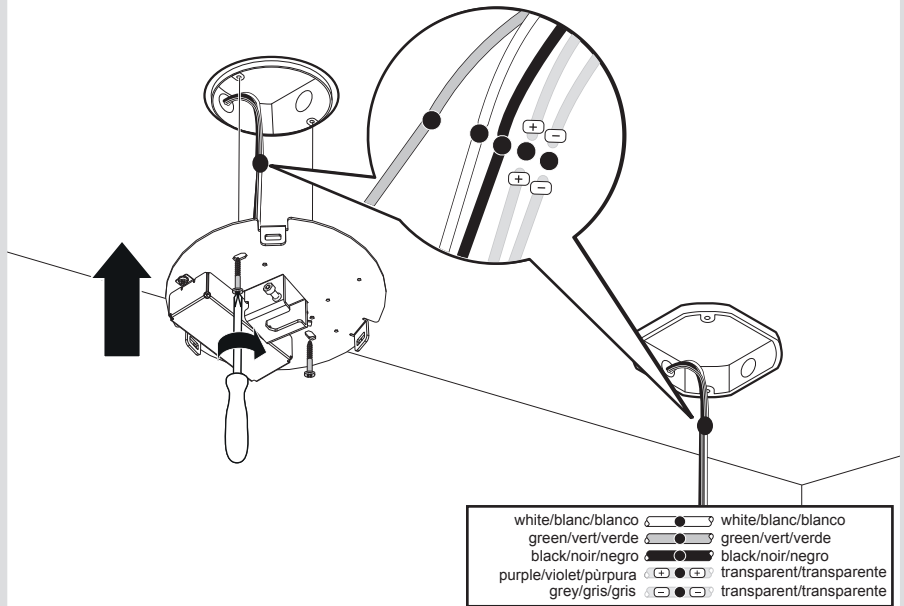
120 V

 Phase cut
 Coupure de phase
 Corte de fase


white/blanc/blanco	↔	●	↔	white/blanc/blanco
green/vert/verde	↔	●	↔	green/vert/verde
black/noir/negro	↔	●	↔	black/noir/negro

9b

120-277 V

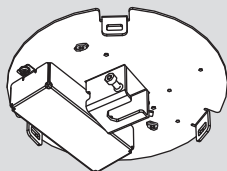
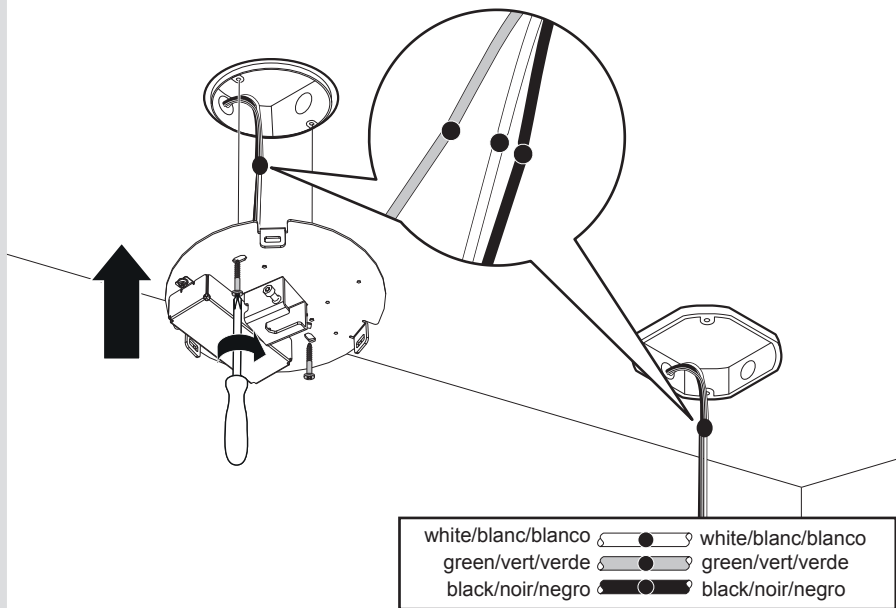
 1-10 V dimming control
 Dimmable 1-10 V
 Regulable mediante control 1-10 V


white/blanc/blanco	↔	●	↔	white/blanc/blanco
green/vert/verde	↔	●	↔	green/vert/verde
black/noir/negro	↔	●	↔	black/noir/negro
purple/violet/púrpura	↔	□	↔	transparent/transparente
grey/gris/gris	↔	□	↔	transparent/transparente

9c



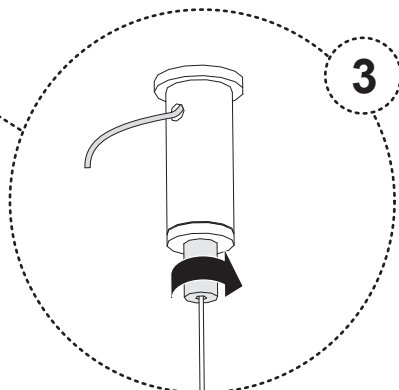
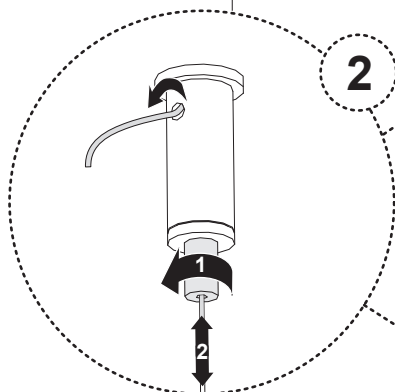
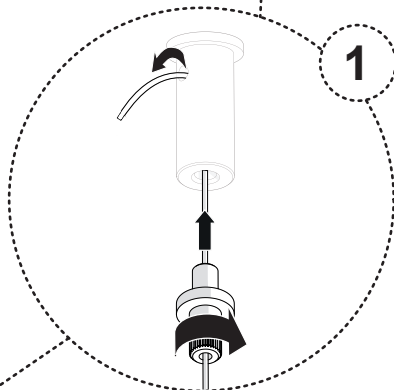
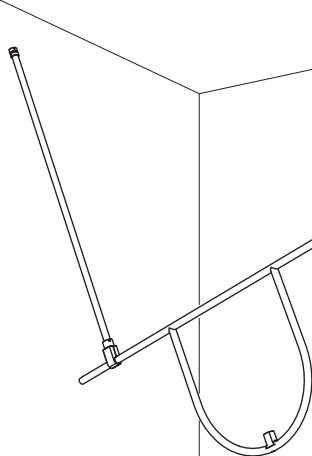
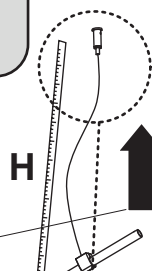
120-277 V



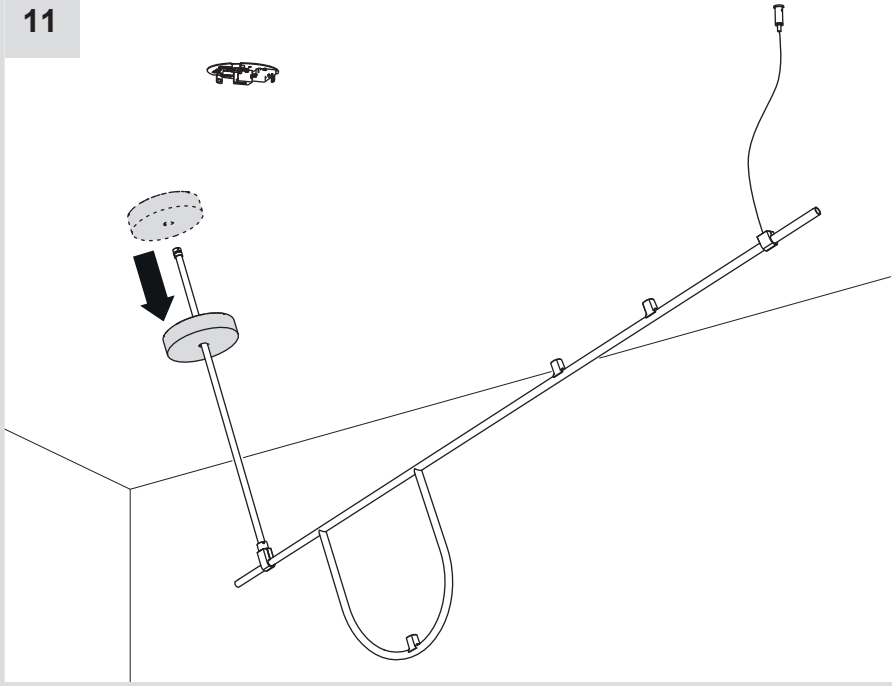
10

YANZI S/C1 ➔ H=275 mm / 10' 53/64

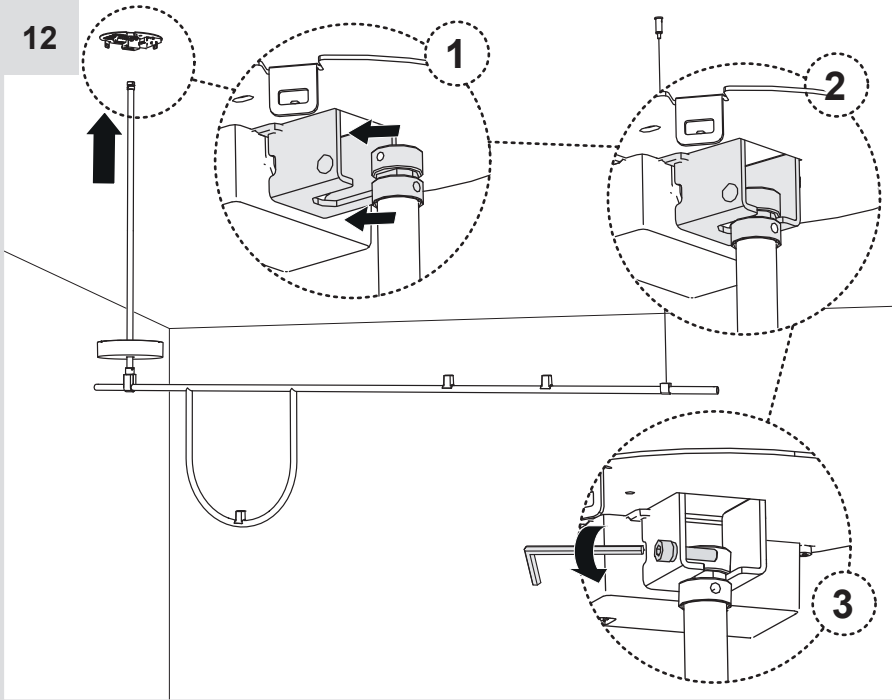
YANZI S1 ➔ H=700 mm / 29' 9/16



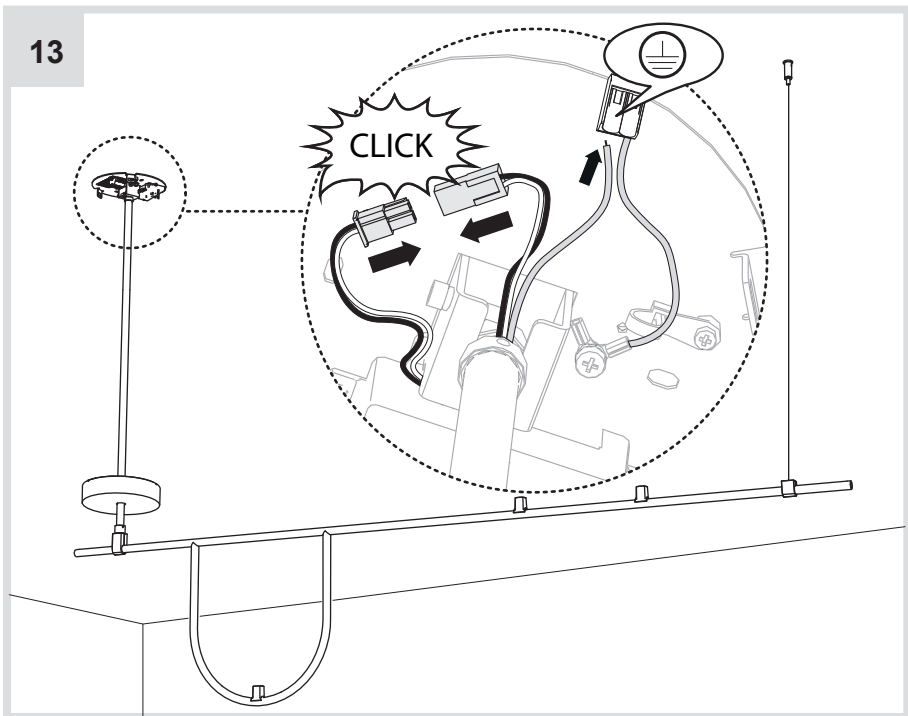
11



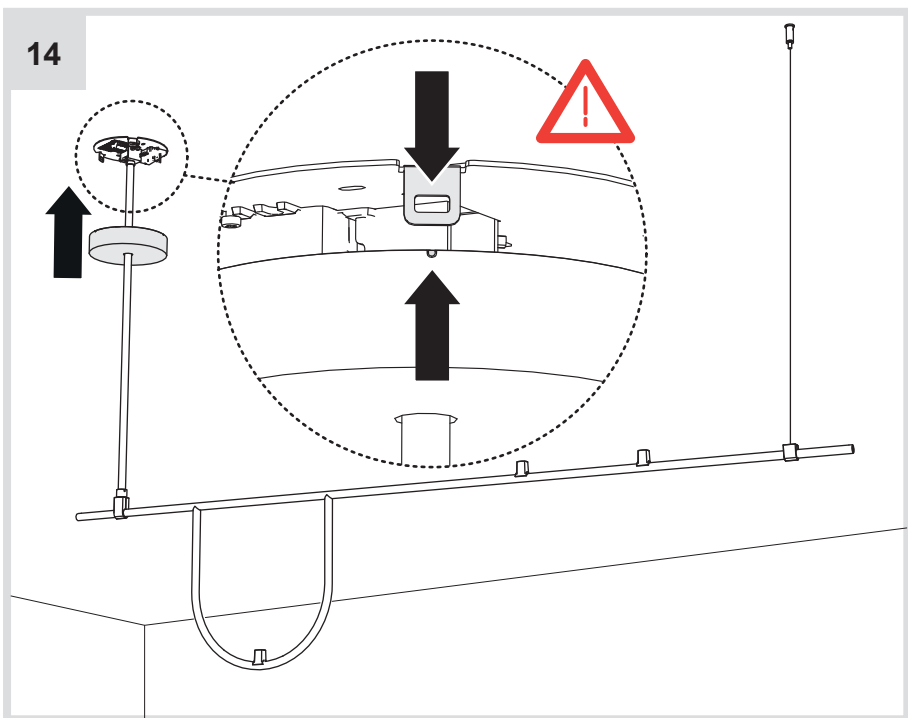
12



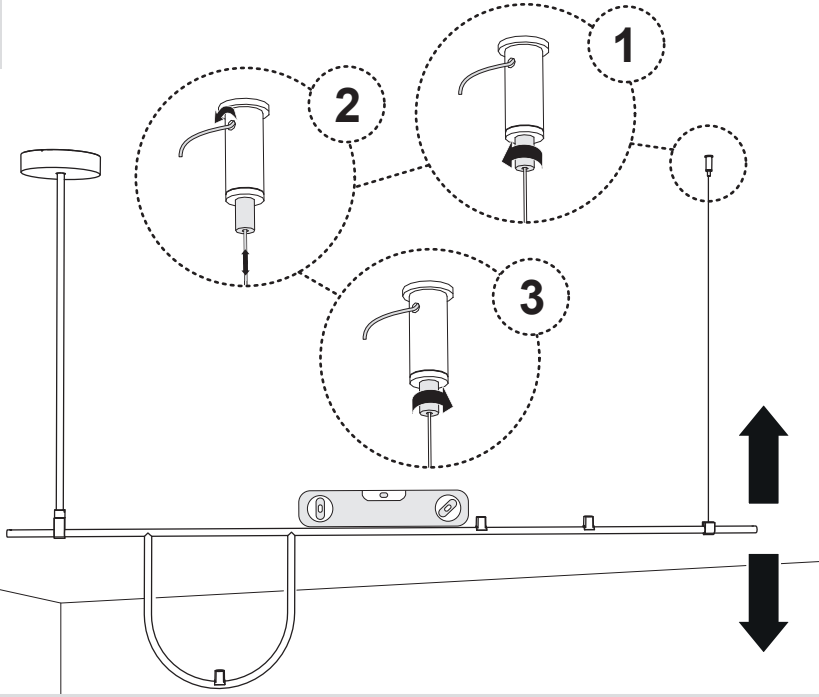
13



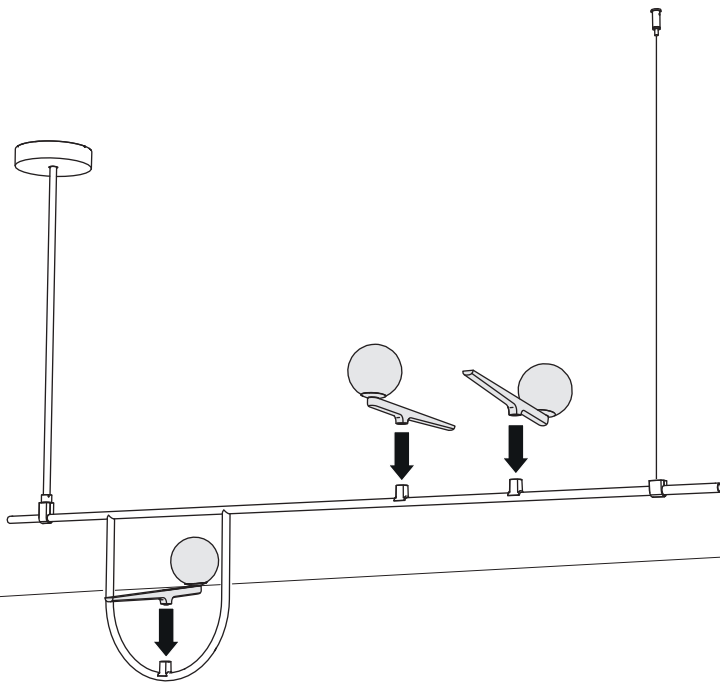
14

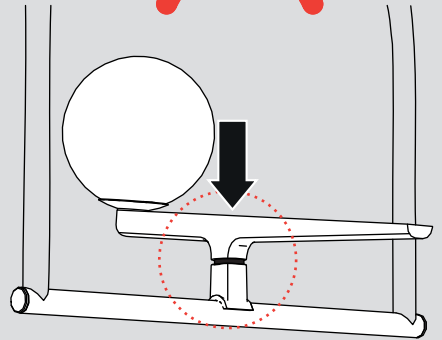
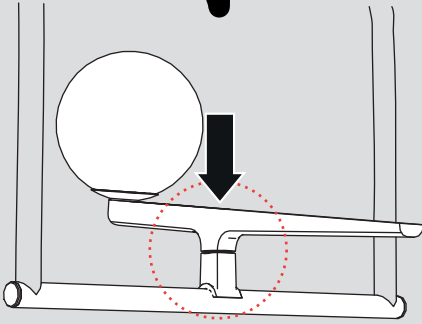


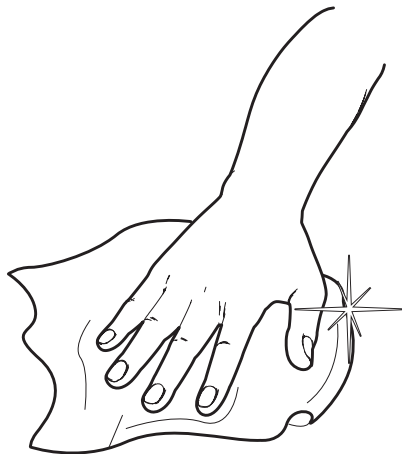
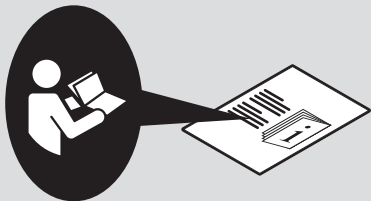
15



16







Artemide®



Artemide

via Bergamo, 18
20010 Pregnana M.se (MI)
ITALIA

tel. +39 02 935 181
fax +39 02 935 90 254
fax +39 02 935 90 496

www.artemide.com

VAT IT00846890150

Artemide Inc.

250 Karin Lane
Hicksville, NY 11801

Tel. 631 694 9292
Toll Free 1-877-Art-9111
Fax 631 694 9275

www.artemide.net

Artemide Ltée/Ltd.

11105 rue Renaude Lapointe
Montréal, Québec H1J 2T4

Tel. 514 323 6537
Toll Free 888 777 2783
Fax 514 323 8864

www.artemide.net

cod. Y513000915A