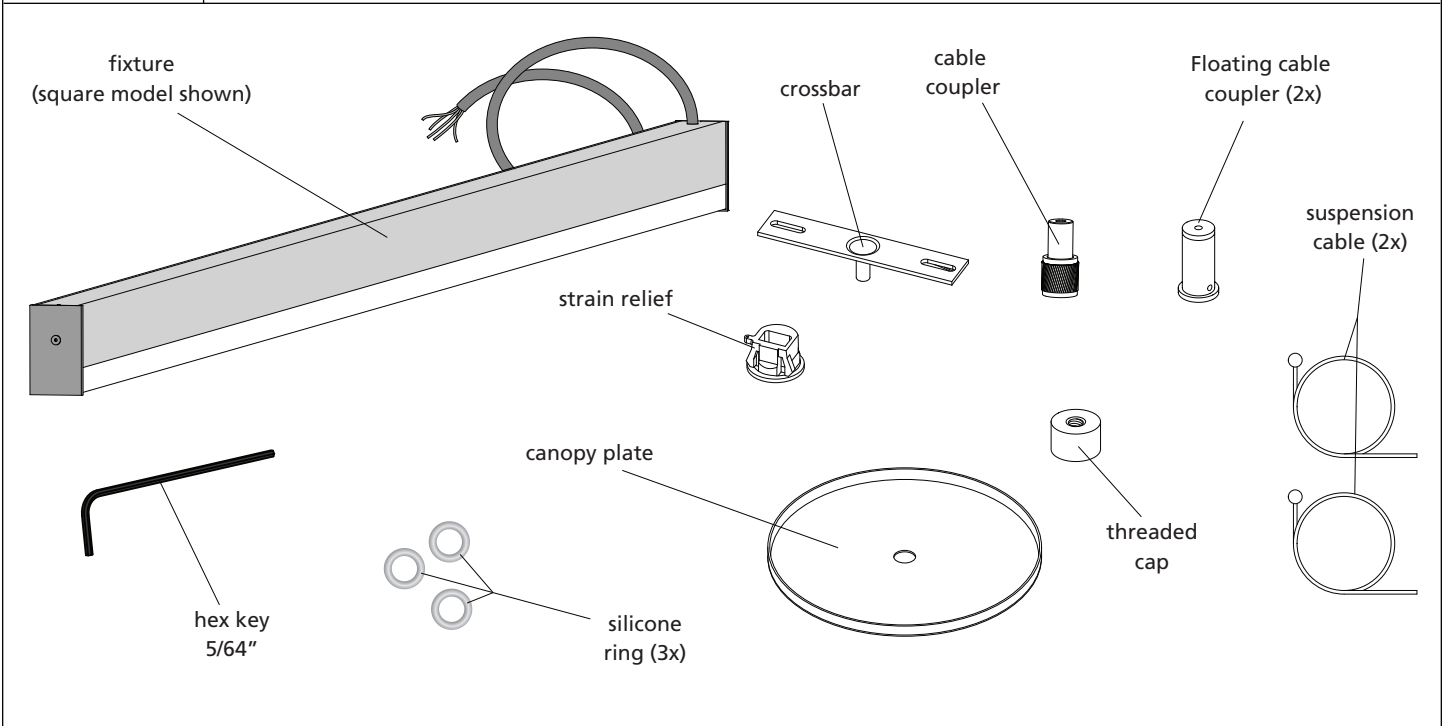




**Attention:** Read and understand these instructions before installing fixture. This fixture is intended for installation in accordance with the National Electric Code and local regulation. To assure full compliance with local codes and regulations, check with your local electrical inspector before installation. This equipment is guaranteed only when used as indicated in these instructions; therefore they should be kept for future reference. To prevent electrical shock, turn off power supply before carrying out any connection or maintenance operations. During installation, the LED chips may be exposed; please do not touch them to ensure proper long-term operation.

### STEP 1

Make sure you have all the elements of the fixture. Your box should contain the following parts:



### NOTE

This fixture can be installed with the suspension cable centered on the canopy (fig A), as well as with the canopy mounted independently (fig B). The installation process will vary, you may have leftover parts.

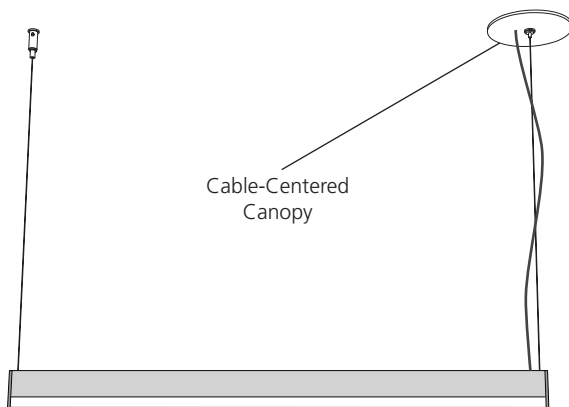


fig. A

**GO TO PAGE 2**

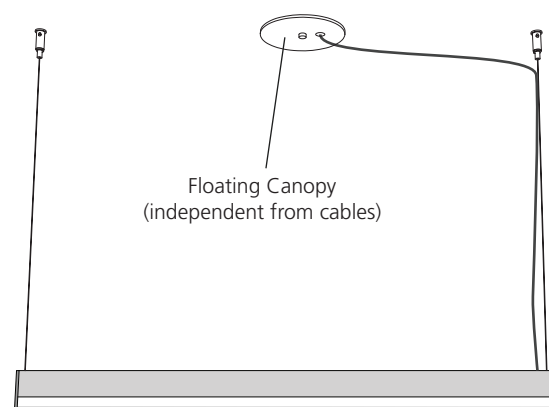


fig. B

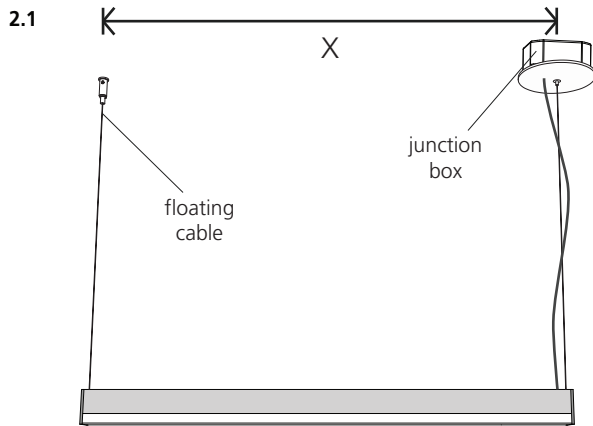
**GO TO PAGE 6**



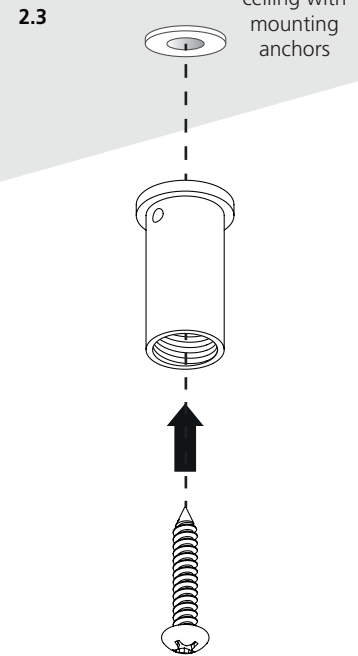
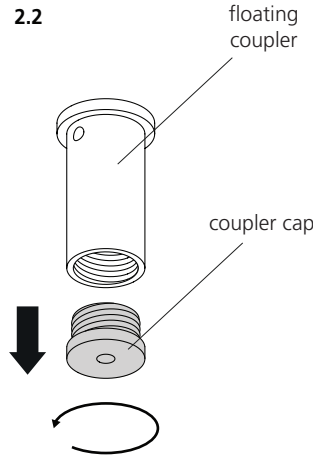
### STEP 2

**Steps for Canopy-Centered Cable Installation. For Floating Canopy Installation, skip to page 6.**

- 2.1 Measure and mark the suspension point for mounting the floating cable. Install appropriate mounting hardware/anchor depending on surface type (not supplied).
- 2.2 Unscrew standoff coupler cap.
- 2.3 Insert mounting screw (not supplied) through coupler and attach to ceiling

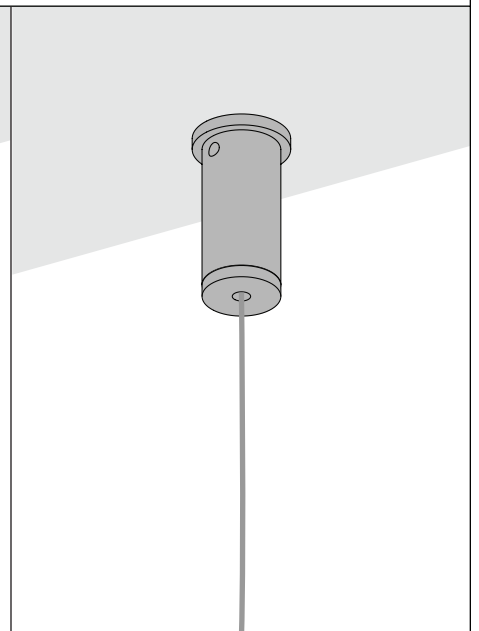
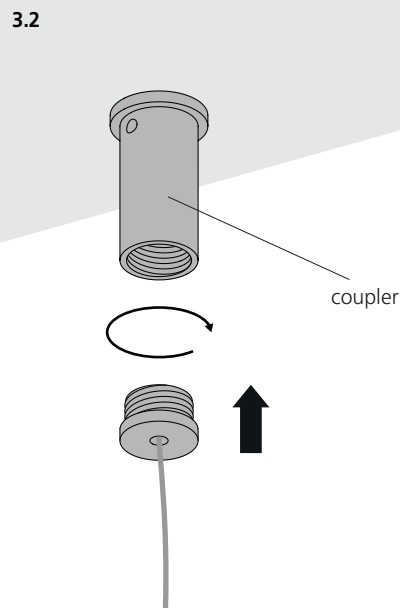
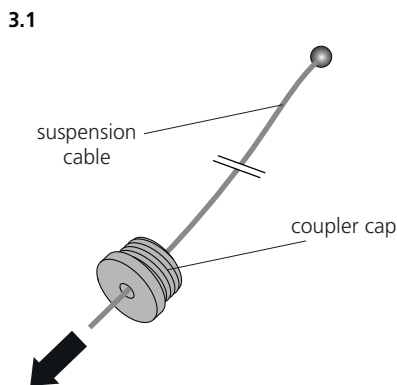


Model	Mounting Distance "X" (from junction box)
4FT	45 3/4in (1162mm)
5FT	57 1/8in (1452mm)
6FT	68 3/4in (1745mm)
8FT	91 5/8in (2327mm)



### STEP 3

- 3.1 Feed the suspension cable through the coupler cap
- 3.2 Screw the coupler cap back onto the coupler

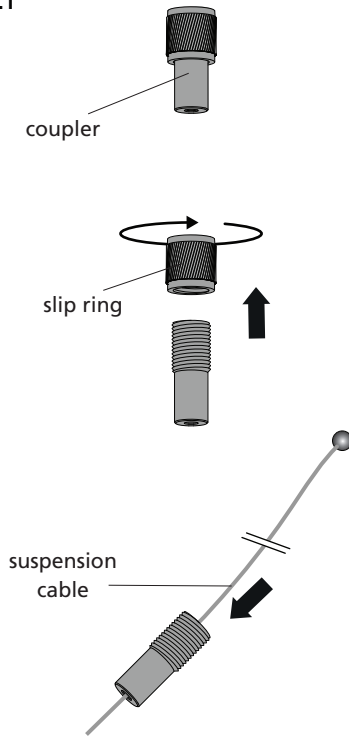




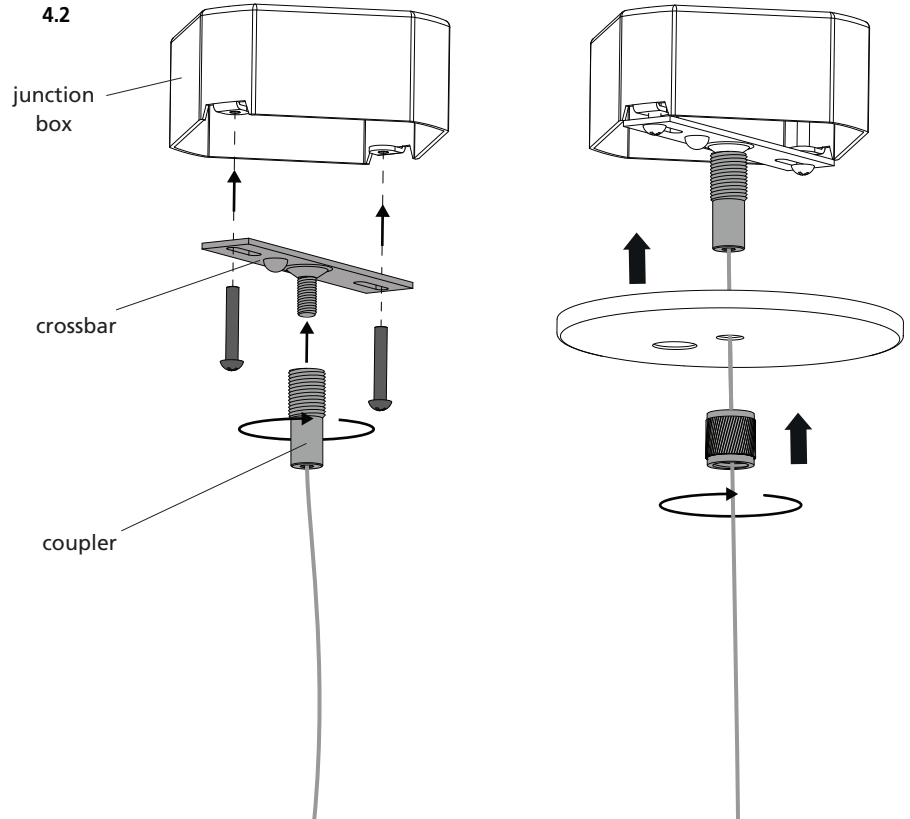
### STEP 4

- 4.1 Remove the coupler slip ring, and insert the suspension cable through.
- 4.2 Mount the crossbar to the junction box using appropriate hardware (not supplied), and screw on the coupler and cable.
- 4.3 In order to facilitate mounting, feed the suspension cable through the canopy cover and tighten the slip ring in order to hold it.

4.1



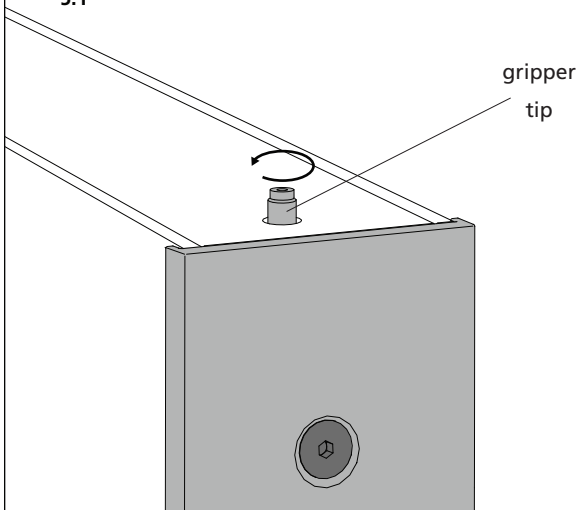
4.2



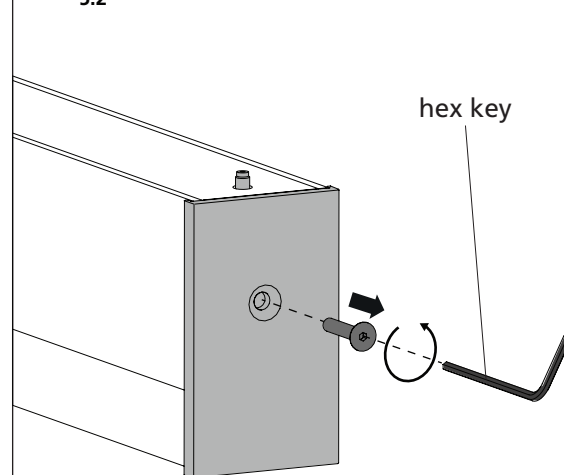
### STEP 5

- 5.1 On the fixture, loosen the cable gripper tips to allow cable insertion (do not remove them completely).
- 5.2 Remove end cap screws (2) using Hex Key (provided) and pull off both end caps.

5.1



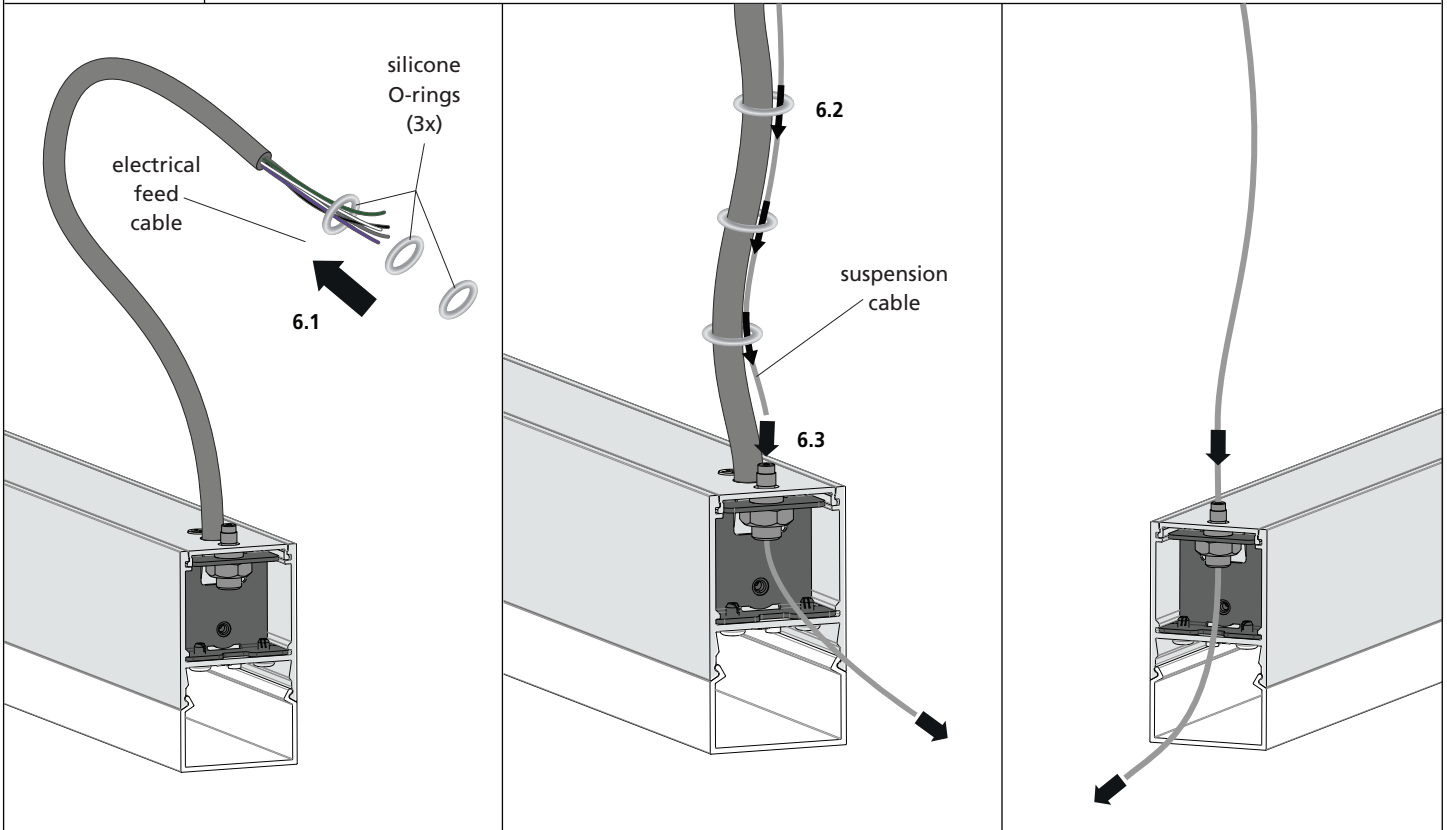
5.2





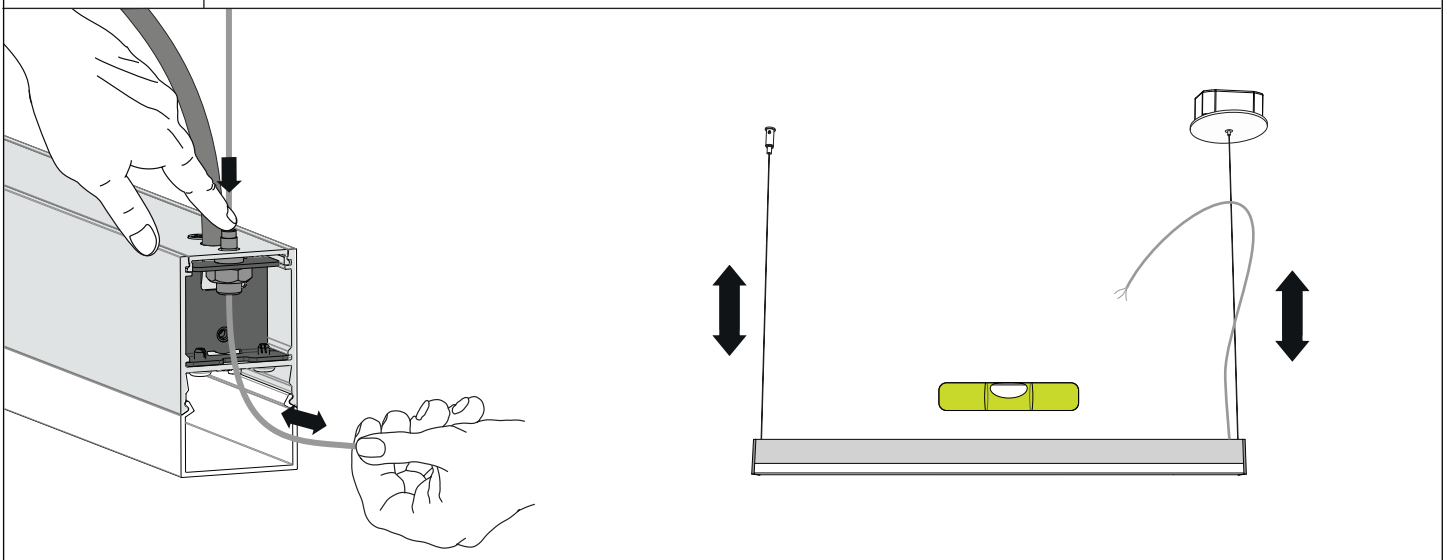
### STEP 6

- 6.1 Insert the 3 silicone O-rings over the electrical feed cable. A small flathead screwdriver makes this easier.
- 6.2 Feed the suspension cable through the O-rings.
- 6.3 Insert suspension cable into gripper tip hole and push through.
- 6.4 Insert the second suspension cable on the opposite end of the fixture.



### STEP 7

- 7.1 Now that both cables are inserted, adjust the fixture height and level it. Pressing on the gripper tip allows unlocking of cable movement.
- 7.2 Once satisfied with the height and leveling, tighten the gripper tips to lock the cable. Cut the excess cable and screw the end caps back in place.

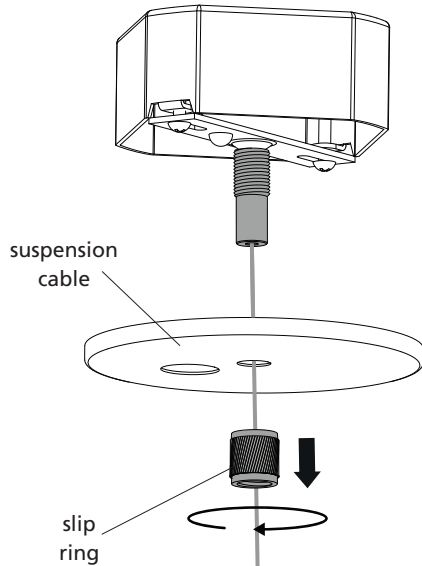




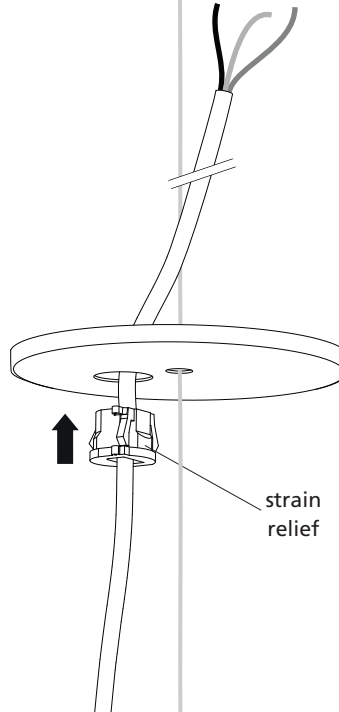
### STEP 8

- 8.1 Unscrew slip ring and pass electrical wiring through canopy cover.
- 8.2 Feed the electrical wire through the canopy cover hole and adjust to proper length. Clip in strain relief to lock it in.
- 8.3 Cut and strip excess length if necessary

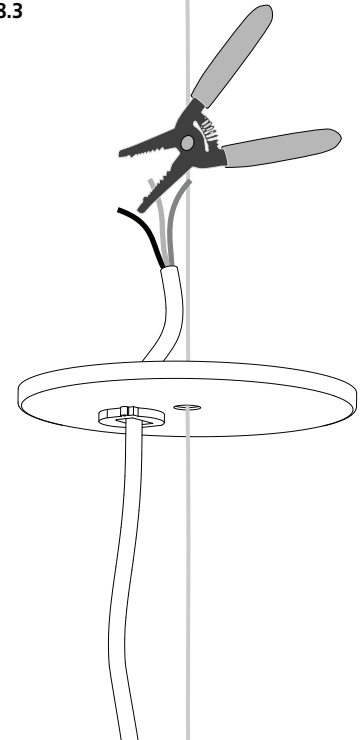
8.1



8.2



8.3



### STEP 9

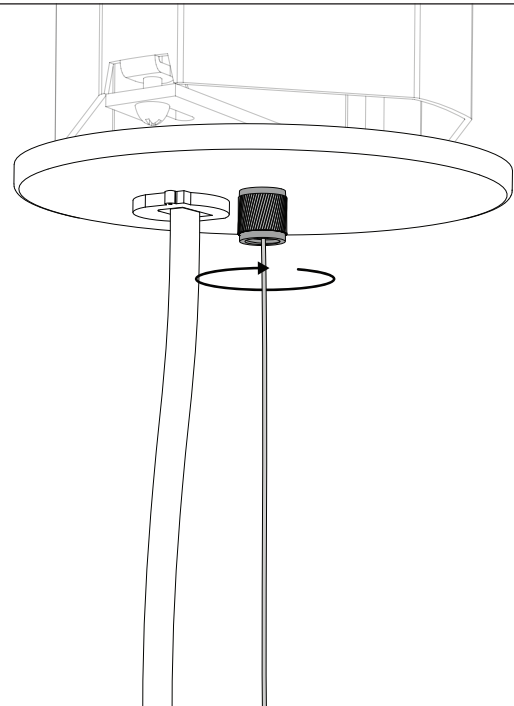
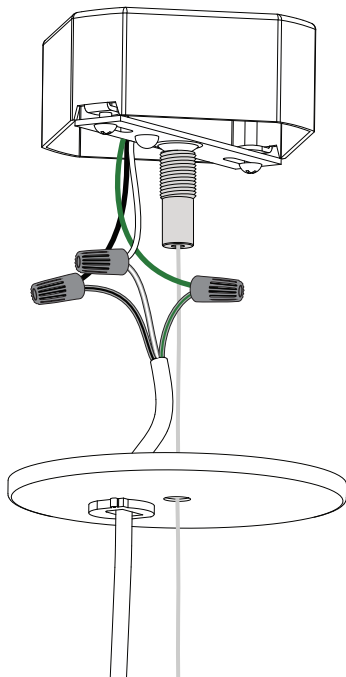
- 9.1 Make electrical connections according to wiring type.
- 9.2 Push up the canopy cover onto the junction box, and tighten it in place using the slip ring. Adjust the silicone O-rings in order to hold up the cable evenly. Fixture installation is complete.

FIXTURE WIRES	CEILING WIRES
GREEN (G)	GREEN
BLACK (L)	BLACK
WHITE (N)	WHITE

FOR 0-10V DIMMABLE VERSION:  
(USC-RALBC\*\*\*\*\*08\* models)

FIXTURE WIRES	CEILING WIRES
VIOLET (+)	0-10V (+)
GREY (-)	0-10V (-)

Leave disconnected if  
using 2-wire dimming fixture  
(USC-RALBC\*\*\*\*\*06\* models)



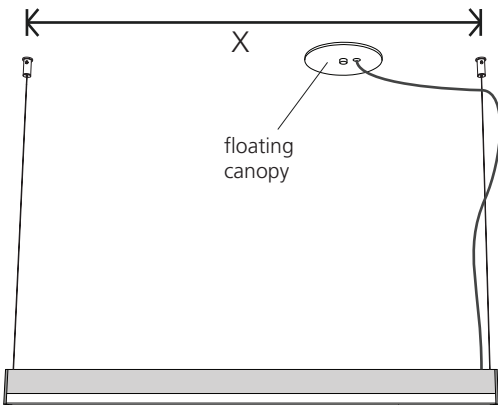


### STEP 2

#### Steps for Floating Canopy Installation.

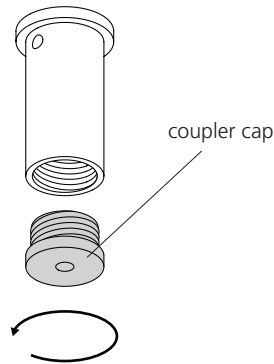
- 2.1 Measure and mark the suspension points for mounting. Install appropriate mounting hardware/anchors depending on surface type (not supplied).
- 2.2 Unscrew standoff coupler cap.
- 2.3 Insert mounting screw (not supplied) through coupler and attach to ceiling. Repeat for second cable.

2.1

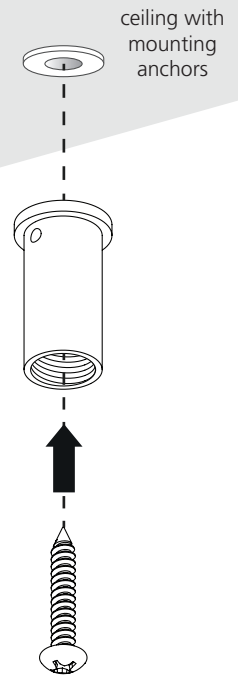


Model	Mounting Distance "X"
4FT	45 3/4in (1162mm)
5FT	57 1/8in (1452mm)
6FT	68 3/4in (1745mm)
8FT	91 5/8in (2327mm)

2.2



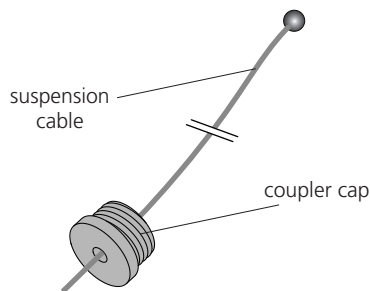
2.3



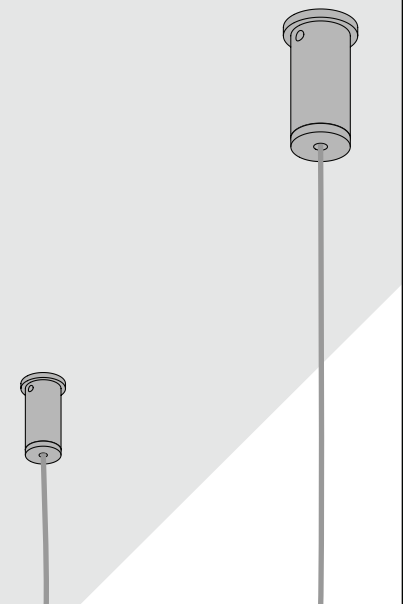
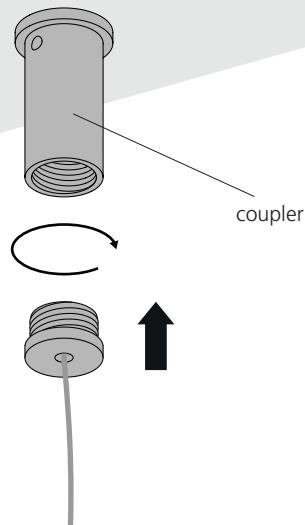
### STEP 3

- 3.1 Feed the suspension cable through the coupler cap.
- 3.2 Screw the coupler cap back onto the coupler. Repeat steps for the second cable and coupler.

3.1

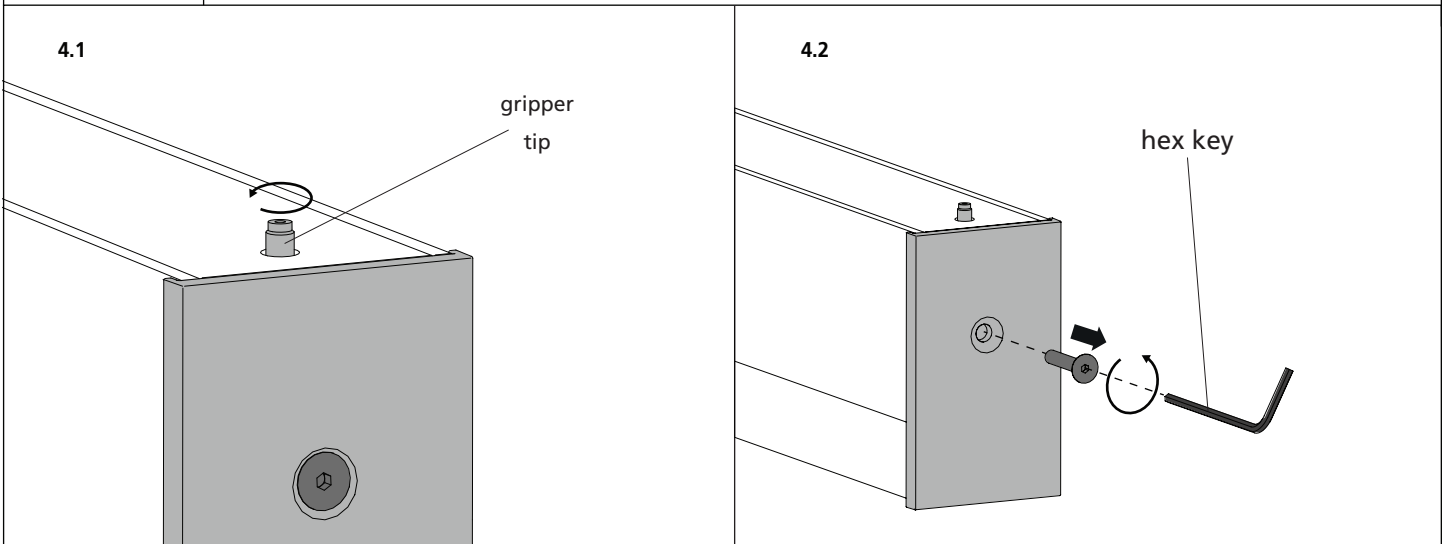


3.2

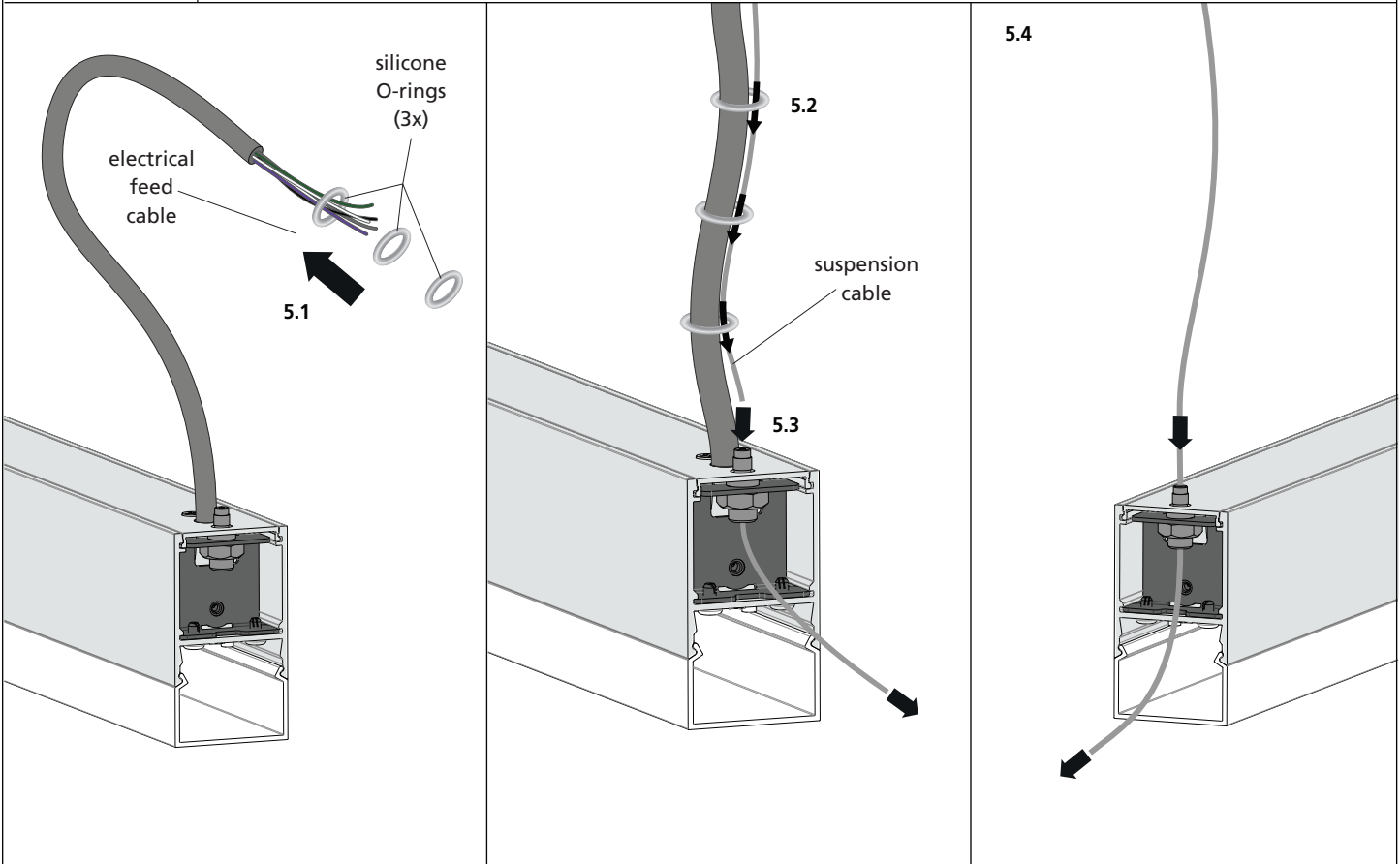




- STEP 4**
- 4.1 On the fixture, loosen the cable gripper tips to allow cable insertion (do not remove them completely).
  - 4.2 Remove end cap screws (2) using Hex Key (provided) and pull off both end caps.



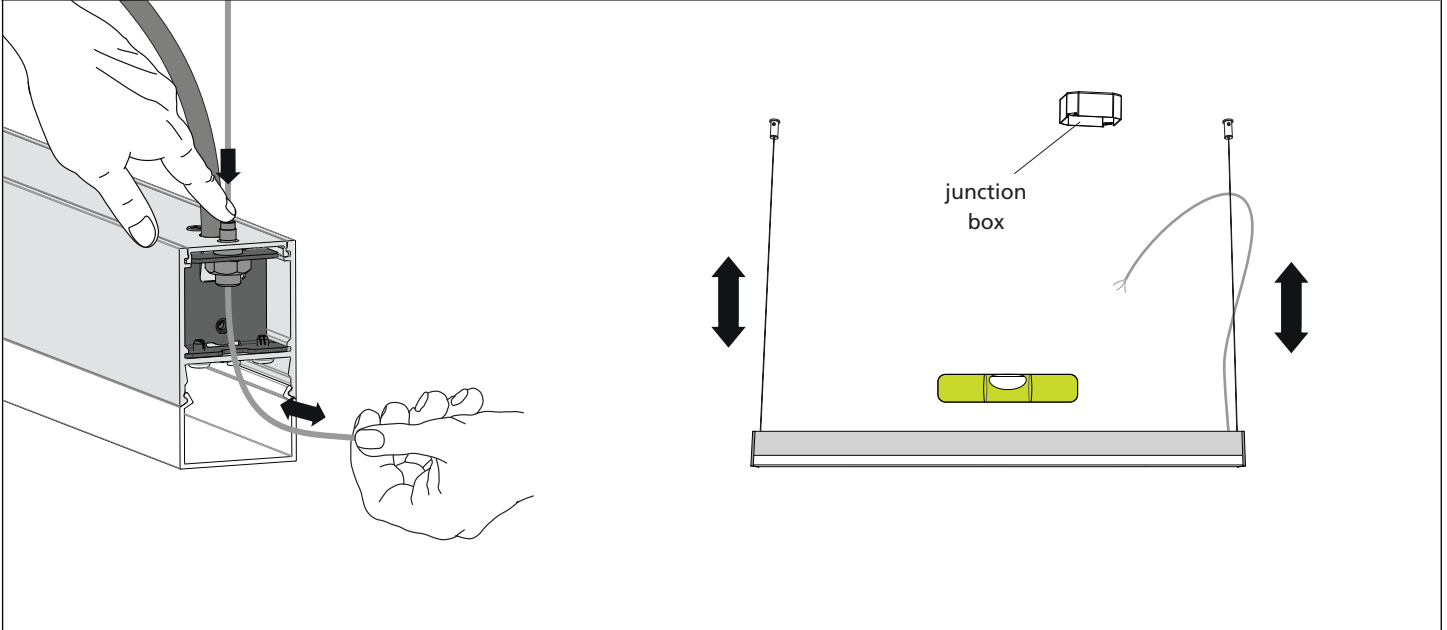
- STEP 5**
- 5.1 Insert the 3 silicone O-rings over the electrical feed cable. A small flathead screwdriver makes this easier.
  - 5.2 Feed the suspension cable through the O-rings.
  - 5.3 Insert suspension cable into gripper tip hole and push through.
  - 5.4 Insert the second suspension cable on the opposite end of the fixture.





### STEP 6

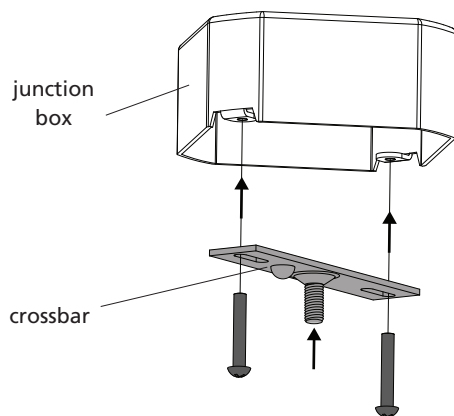
- 6.1 Now that both cables are inserted, adjust the fixture height and level it. Pressing on the gripper tip allows unlocking of cable movement.
- 6.2 Once satisfied with the height and leveling, tighten the gripper tips to lock the cable. Cut the excess cable and screw the end caps back in place.



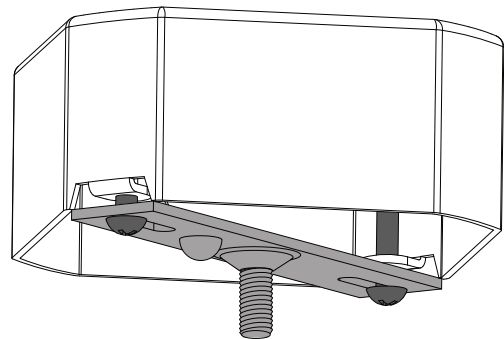
### STEP 7

- 7.1 Mount the crossbar to the junction box using appropriate hardware (not supplied).

8.2



8.3



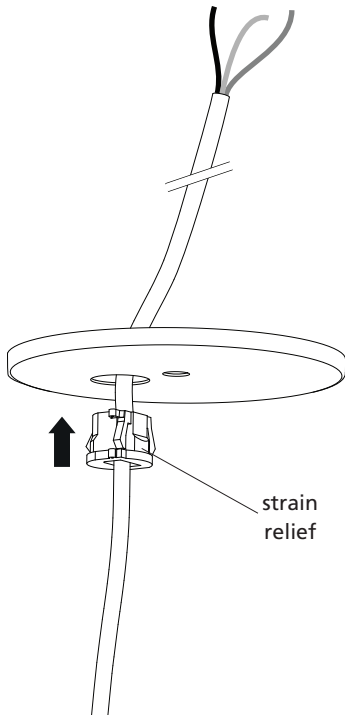




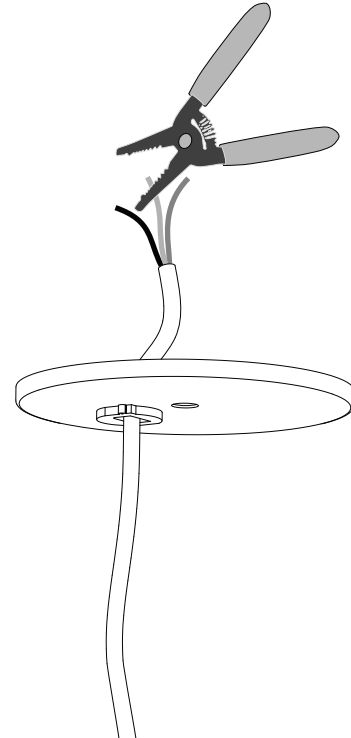
### STEP 8

- 8.1 Unscrew slip ring and pass electrical wiring through canopy cover.
- 8.2 Feed the electrical wire through the canopy cover hole and adjust to proper length. Clip in strain relief to lock it in.
- 8.3 Cut and strip excess length if necessary.

8.1



8.2



### STEP 9

- 9.1 Make electrical connections according to wiring type.
- 9.2 Push up the canopy cover onto the junction box, and tighten it in place using the threaded cap. Adjust the silicone O-rings in order to hold up the cable evenly. Fixture installation is now complete.

FIXTURE WIRES	CEILING WIRES
GREEN	GREEN
BLACK	BLACK
WHITE	WHITE

FOR 0-10V DIMMABLE VERSION:  
(USC-RALBC\*\*\*\*\*08\* models)

FIXTURE WIRES	CEILING WIRES
VIOLET (+)	0-10V (+)
GREY (-)	0-10V (-)

Leave disconnected if using 2-wire dimming fixture  
(USC-RALBC\*\*\*\*\*06\* models)

