

Project: _____

Type: _____

Drawn by: _____ Catalogue #: _____

Date: _____

Individual Spec Sheet

LED TRI-LEVEL CEILING LUMINAIRE

11"

ORDERING INFORMATION

Order Code: 68367
Model Number: CTL11-R15A/40KWH
UPC: 069549010109
Master Box quantity: 4

PHYSICAL DATA

Dimensions in. (mm): 4.01" (102 mm) x 10.83" (275 mm)
Shape: Round
Type: Ceiling
Housing material: Steel
Finish: White
Lens Finish: Frosted
Lens material: PC
Mounting: Surface mount

PERFORMANCE DATA

Watts (W): 15
Volts (VAC): 120
Colour temp. (K)¹: 4000
Lumen output (lm)²: 1100
Lumen per Watts (lm/W): 75
CRI: 80+
Life L70 (h)³: 50 000
Beam angle (°): 120
Frequency (Hz): 60
Operating temp. range: -30° C - 45° C (- 22° F - 113° F)
Sensor type: High-Frequency

¹ Typical colour temperature range: +/- 5 %

² Lumen values are derived from Energy Star.

³ Life hours are derived from IESNA LM80-08 testing report and projected per IESNA TM-21-11 extrapolations



5
yrs
warranty



**quick
ship**



**LED
fixture**

6

**damp
location**

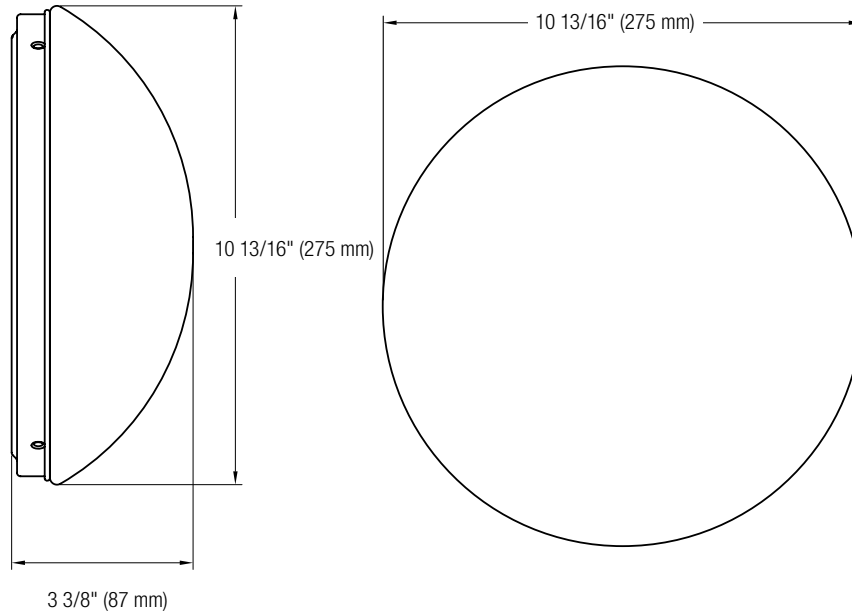


**ICES
005**



This lighting equipment complies with Canadian standard ICES-005 for use in residential applications.
Data is based upon tests performed in a controlled environment.
Actual performance can vary depending on operating conditions. Specifications are subject to change without notice.

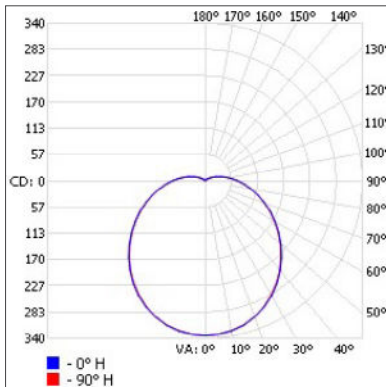
DIMENSIONS



PHOTOMETRIC DATA¹

68367 • CTL11-R15A/40KWH • 1285.6 lm

Polar candela distribution



Zonal lumen summary

Zone	Lumens	% Fixture
0-30	260.7	20.3
0-40	429.4	33.4
0-60	782.6	60.9
60-90	371.5	28.9
70-100	280.6	21.8
90-120	118.2	9.2
0-90	1 154.1	89.8
90-180	131.4	10.2
0-180	1 285.6	100

Illuminance at a distance

Center beam fc	Beam width
1.7'	116
3.3'	30.7
5.0'	13.4
6.7'	7.44
8.3'	4.85
10.0'	3.34

Beam width	Beam width
6.4'	6.3'
12.4'	12.2'
18.7'	18.5'
25.1'	24.7'
31.1'	30.7'
37.5'	36.9'

■ Vert. spread: 123.8°
■ Horiz. spread: 123.1°

¹ Complete IES files available on our website.

Qty	Description	Price

I accept the specifications of the luminaire configuration mentioned above.

Name: _____
 Company: _____
 Signature: _____

Date: _____

Data is based upon tests performed in a controlled environment. Actual performance can vary depending on operating conditions. All products are subject to change or may be discontinued any time without notice.