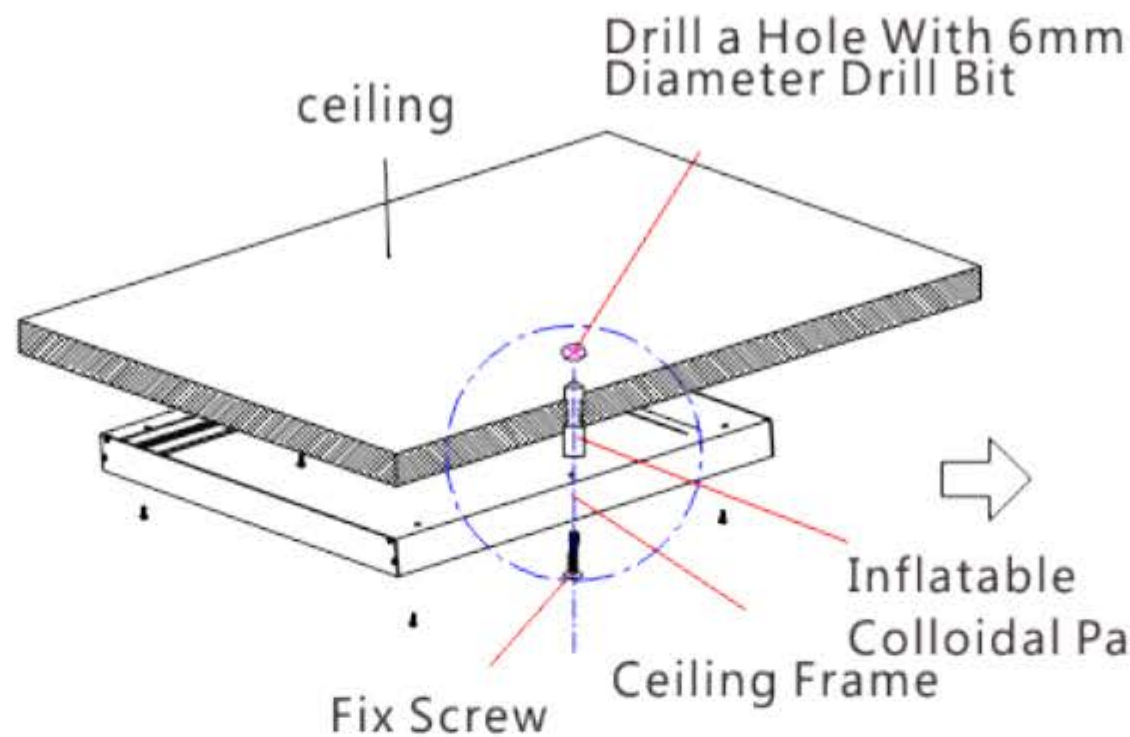
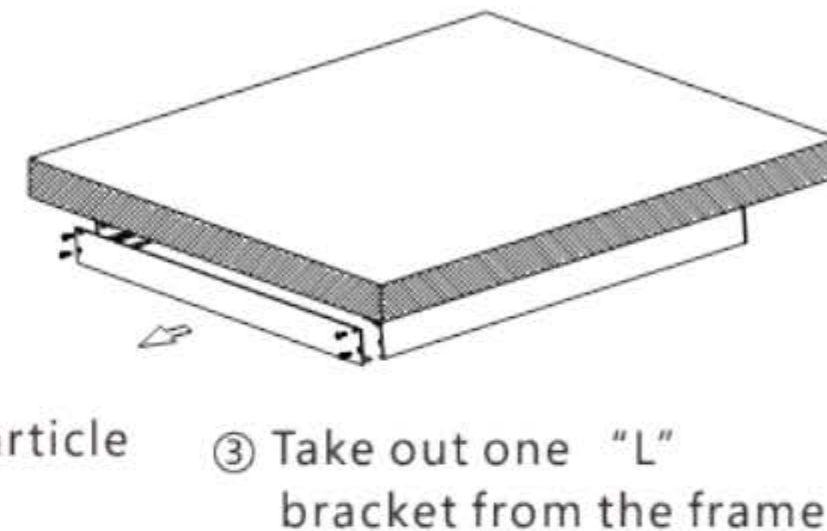


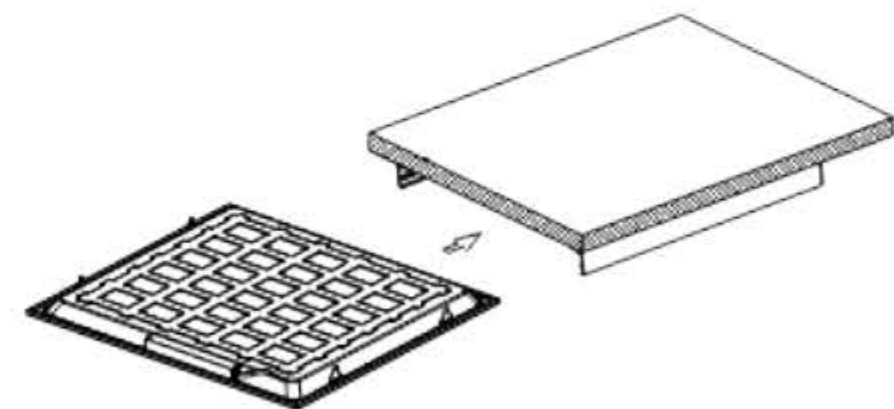
① Assemble the frame well



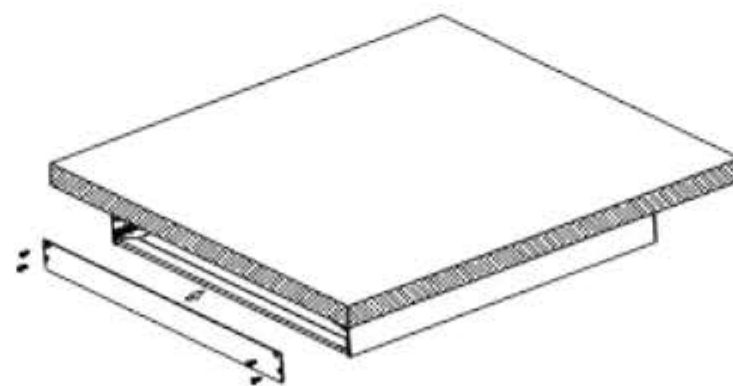
② Fix the frame on ceiling



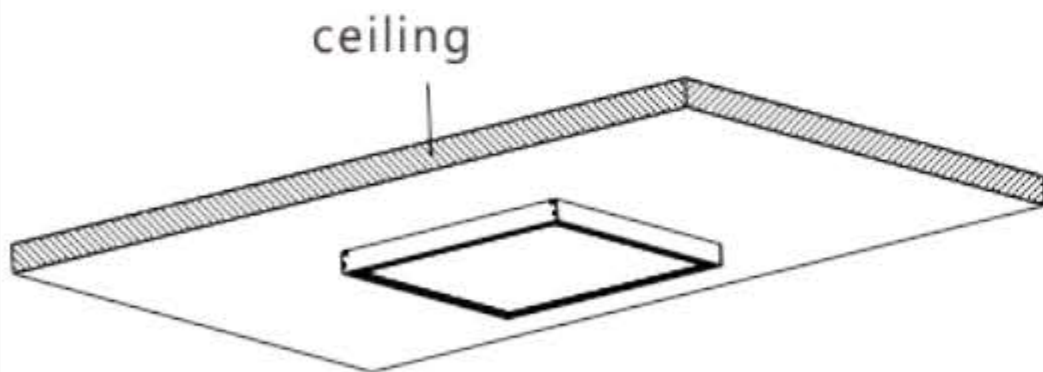
③ Take out one "L" bracket from the frame



④ Insert LED panel to the frame



⑤ Fix "L" bracket to the frame



⑥ Installation is complete

⚠ Please make sure the frame is assembled well before fixed on ceiling

Surface Mount Installation