

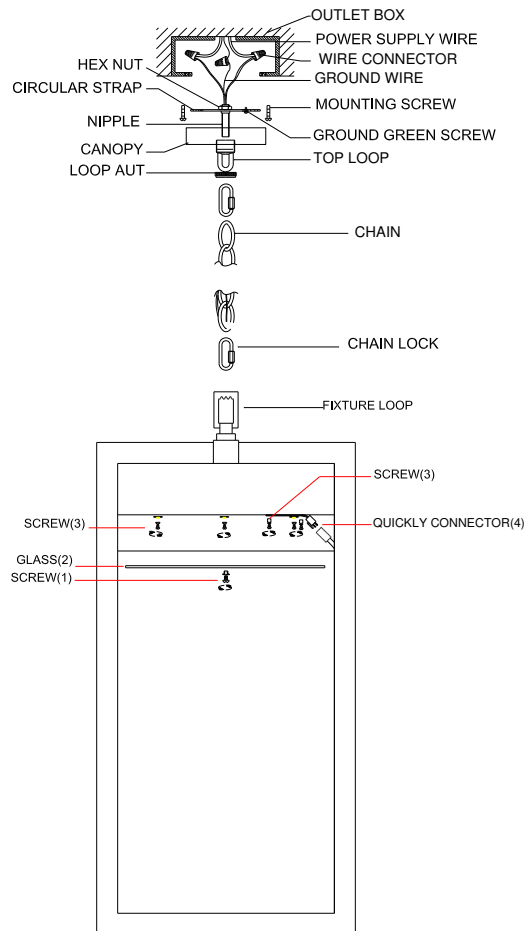
FOR YOUR SAFETY WARNING: BE SURE THE ELECTRICITY TO THE WIRES YOU ARE WORKING ON IS SHUT OFF; EITHER THE FUSE IS REMOVED OR THE CIRCUIT BREAKER IS SHUT OFF.

GENERAL You don't need special tools to install this fixture. Be sure to follow the steps in the order given. Under no circumstances should a fixture be hung on house electrical wires, nor should a swag type fixture be installed on a ceiling which contains a radiant type heating system. Read instructions carefully. If you are unclear as to how to proceed, consult a qualified electrician.

NOTE: Proper wiring is essential for the safe operation of this fixture.

ASSEMBLY INSTRUCTIONS

566CHXL-LED



READ & SAVE

INSTALLATION & OPERATION INSTRUCTIONS

TOOLS & MATERIALS REQUIRED

Screwdriver	Wire Cutters
Adjustable Wrench	Wiring Supplies

CAUTION

Prior to assembly, refer to ELECTRICAL CONNECTIONS section. If you do not have electrical wiring experience, refer to a do-it-yourself wiring handbook or have your fixture installed by a qualified licensed electrician.

GENERAL

1. Be sure to read these instructions and review the diagrams thoroughly before beginning.
2. Electrical connections must be in accordance with local codes, ordinances, or the National Electric Code. If you are unfamiliar with methods of installing electrical wiring, secure the

services of a qualified licensed electrician.

3. Before starting the installation, disconnect the power by turning off the circuit breaker or by removing appropriate fuse at fuse box. Turning the power off at the light switch is not sufficient to prevent electrical shock.

PREPARE THE FIXTURE

NOTE: First turn off electricity

1. Thread nipple into loop until snug. Thread the other end of nipple into the crossbar strap until snug and secure with the lock washer and hex nut. Note the length of nipple into circular strap may be adjusted if necessary.

2. Attach the crossbar strap assembly to the ceiling outlet box with screws, the side of the strap marked "GND" must face out. Tighten screws securely with screwdriver. Determine the desired hanging height and remove the excess chain with proper chain pliers to avoid damaging the finish.

3. Open one end of the chain and connect it to the fixture chain loop and close the link. Thread the wire carefully through the chain links. Place threaded ring followed by canopy over the chain and allow them to carefully rest on the fixture body. Open the other end of the chain and attach it to chain loop and close the link. Feed the wires through loop, and nipple.

4. Connect the electrical wires, making sure that all wire connectors are secured. If your outlet has a ground wire (green or bare copper), connect the fixture's ground wire to it. Otherwise, connect the fixture's ground wire directly to the crossbar using the green screw provided.

ELECTRICAL CONNECTIONS 120V~, 60Hz

Connect white wire(s) from fixture to white neutral wire from supply circuit.

Connect black wire(s) to black hot wire from supply circuit. Connect green wire to green or bare wire or grounding screw on mounting bracket. In all cases grounding conductor to earth must be used. Use UL/CSA Listed wire connects suitable for the size, type, and number of conductors. No loose strands or loose wires should be present. Secure wire connectors with UL/CSA Listed electrical tape.

Tuck the wire connections neatly into the junction box.

5. Raise the canopy to the ceiling and secure with threaded ring.

6. Installation is complete. Turn on the power at the circuit breaker or fuse box. Turn the light switch on to activate the fixture.

7. LED replacement. Take down the screw(1) and glass(2), unscrew the screws(3), then pull out LED module, finally replace LED module by quick connector(4), secure the screws.

CAUTION: LED fixtures can operate at high temperatures please use caution when touching during operation or after operation.

