

# ASSEMBLY AND INSTALLATION INSTRUCTIONS

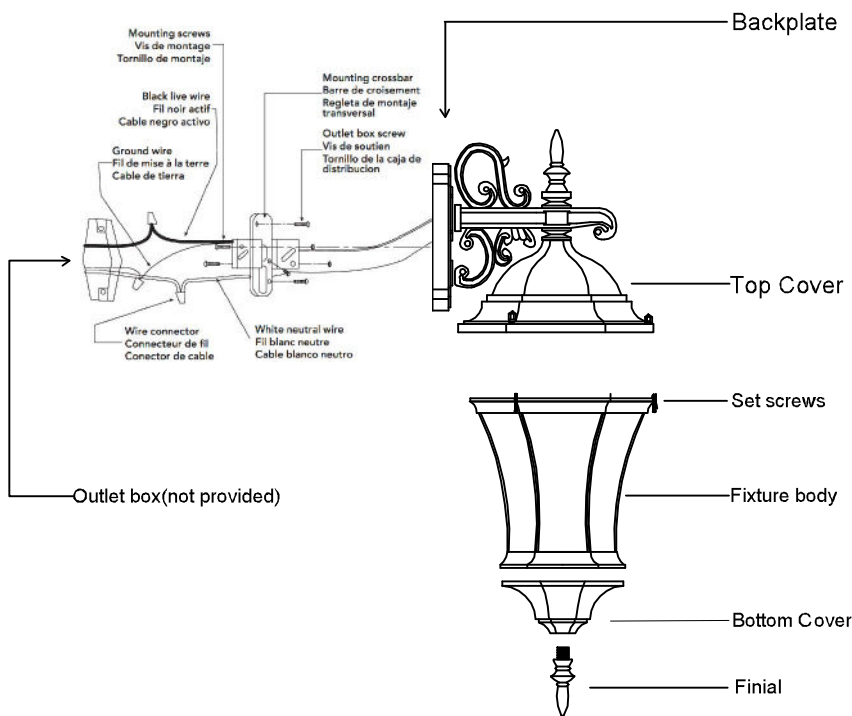
**WARNING:** Be sure the electricity to the wires you are working on is shut off, either the fuse is removed or the circuit breaker is shut off.

**NOTE:** Before installing, consult local electrical codes for wiring and grounding requirements.

Carefully remove the fixture from the carton, and check that all parts are included, as shown in figure. Be careful not to misplace any of the screws or parts which are needed for installing the fixture.

## Assembly and Installation Step:

1. Switch off the power supply to the outlet box on which you plan to mount the lighting fixture (Caution: Disconnect all power before servicing).
2. Fix the cross bar to outlet box by using existing outlet box screws.
3. Connect fixture wires to house wires with the precided wire connectors. Ensure the right matching as black, white to white. Tie the ground wire from outlet box and from fixture to the ground screw on the cross bar. (Caution: make sure connections are secure in Right Polarity and in Good Insulation.)
4. Fix Lighting Fixture according to the drawing below.
5. Install bulb (Not include). See relamping label located at socket area for type and maxilum allowed wattage.
6. Caulk with silicon or similar caulking suitable for outdoor use, make a complete seal around Backplate and mounting surface.



**522S-BK/522M-BK**