

**MAGELLAN  
CH51825  
CHANDELIERS**

PROJECT



CH51825-BK  
Black

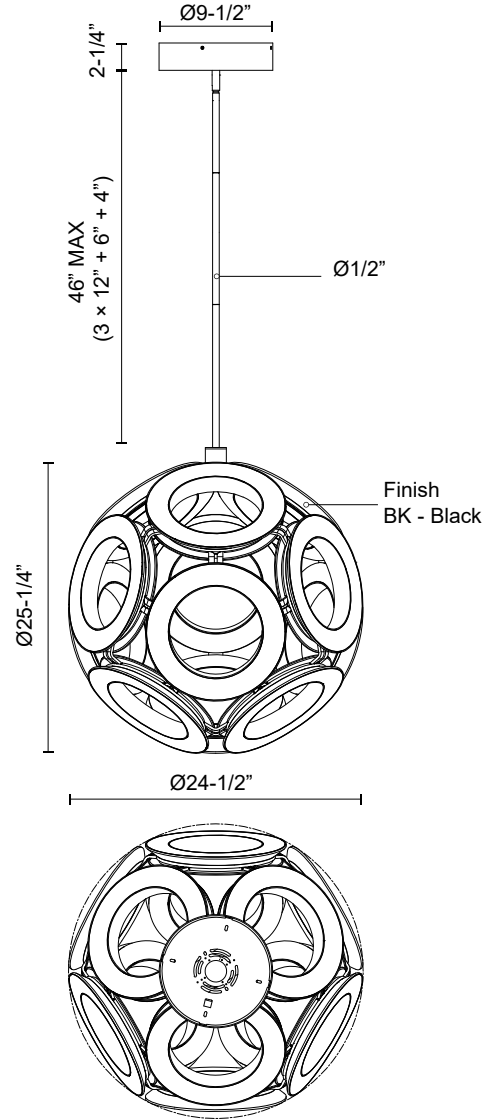
**SPECIFICATION DETAILS**

\* For custom options, consult factory for details.

<b>Fixture Dimensions</b>	D24-1/2" x H25-1/4"
<b>Light Source</b>	LED with DC Driver
<b>Wattage</b>	125W
<b>Total Lumens</b>	10625lm
<b>Delivered Lumens</b>	6750lm*
<b>Voltage</b>	120V
<b>Color Temperature</b>	3000K
<b>CRI (Ra)</b>	90CRI
<b>Optional Color Temps</b>	2700K - 5000K Available, Minimum Order Quantities Apply
<b>LED Rated Life</b>	50,000 hours
<b>Dimming</b>	100% - 10%, TRIAC or ELV Dimmer (Not Included)
<b>Adjustable</b>	Yes
<b>Rod Length</b>	46" Max (3x12" + 1x6" + 1x4")
<b>Wire Length</b>	60"
<b>Minimum Hang Height</b>	36"
<b>Diffuser Details</b>	Frosted Acrylic
<b>Location</b>	Dry
<b>Warranty</b>	5 Years
<b>Canopy Dimensions</b>	D9-1/2" x H2-1/4"

**DESCRIPTION**

Large-scale statement piece, multiple direct acrylic disc and a hollow core. Fine textured dark metallic frame



**KUZCO**

19054 28TH AVENUE  
SURREY - BC V3Z 6M3  
CANADA

WWW.KUZCOLIGHTING.COM

COMMENT

