

### LED Lamp Wall Sconce

- 1.** Remove the fixture from its original packaging. Remove the canopy mounting plate from within the canopy and attach it to the electrical junction box, using the two screws provided in the hardware package.
- 2.** Push the canopy mounting screws through the metal cover plate to mount the metal cover plate on the canopy mounting plate, (2a) then push the screws through the canopy back plate so they are poking through, once this is complete you can screw on the decorative nuts until tight. (Please be sure to pull the wires out of the electrical box, through the wire access hole in the metal cover plate, and the canopy back plate, so that they may be connected in step 3)
- 3.** Attach the fixture to the canopy back plate, which is attached to the electrical junction box. Attach all wiring with the provided marrets (white to white "N", black to black "L", ground to ground "G").
- 4.** Install the glass light cover onto the fixture by sliding the glass cover into place over top of the bulb, and along the glass receiver bar installed on the canopy of the fixture. (4a) Now tighten the metal clips using the locking nuts to secure the glass cover to the canopy. (4b) Finally you can now install the metal end plates to further secure the glass light cover to the fixture.
- 5.** You have now completed the installation of your fixture, please enjoy.

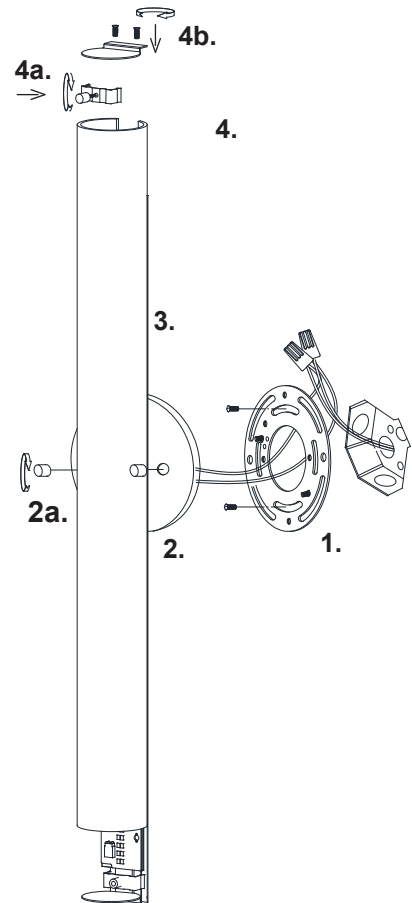
#### START FROM HERE

- Make sure power is completely off at the fuse box.
- Have your fixture installed by a qualified licensed electrician
- Prepare everything in clear area.
- Wear gloves at all times during this installation.
- Read instructions carefully before you start assembly.
- Keep this instruction sheet for future reference.

**Technical Support:** 1-877-452-6858

#### Please Note:

- All Kuzco LED fixtures come with pre-wired LED module(s).
- Unless instructed to do so, please do not touch any part of the LED module(s) as any unnecessary contact with the module could cause permanent damage.
- For dimming, an ELV (Electronic Low Voltage) dimmer is required.



# KUZCO LIGHTING

19054 28th Avenue Surrey, BC Canada V3Z 6M3  
T: 604 538 7162 TF: 1-855 85 KUZCO F: 604 538 7196  
W: kuzcolighting.com  
20150318