

LED Lamp Wall Sconce

WS53318

INSTALLATION SHEET

START FROM HERE

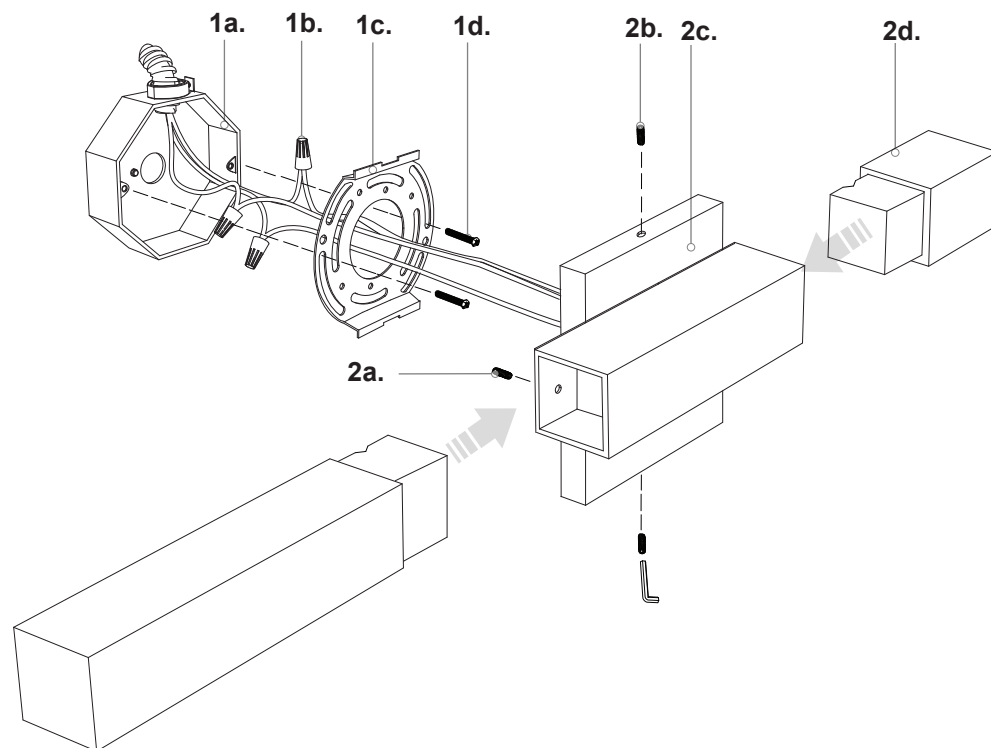
- Make sure power is completely off at the fuse box.
- Have your fixture installed by a qualified licensed electrician
- Prepare everything in a clear area.
- Wear gloves at all times during this installation.
- Read instructions carefully before you start assembly.
- Keep this instruction sheet for future reference.

Technical Support: 1-877-452-6858

Please Note:

- All Kuzco LED fixtures come with pre-wired LED module(s).
- Unless instructed to do so, please do not touch any part of the LED module(s) as any unnecessary contact with the module could cause permanent damage.
- For dimming, an ELV (Electronic Low Voltage) type of dimmer is required.

- 1.** Remove the fixture from its original packaging. Remove the mounting plate (1c) from within the canopy (2c) by unscrewing the two set screws (top and bottom) (2b). Attach the mounting plate to the electrical junction box (1a), using the two screws (1d) provided in the hardware package.
- 2.** Before you mount the canopy, install the two acrylic glass (2d) accordingly by using the two set screws (2a) provided.
- 3.** You can now attach the canopy to the mounting plate. First attach all wiring with the provided marrets (1b) (white to white "N", black to black "L", ground to ground "G"). Now push the canopy (2c) towards the mounting plate (1c) and use the two set screws (top and bottom) (2b) to secure the canopy to the mounting plate.
- 4.** You have now completed the installation of your fixture, please enjoy.



KUZCO LIGHTING

19054 28th Avenue Surrey, BC Canada V3S 6M3
T: 604 538 7162 TF: 1-855 85 KUZCO F: 604 538 7196
W: kuzcolighting.com
20170120