

# LED Lamp Wall Sconce

**WS10324**  
INSTALLATION SHEET

## START FROM HERE

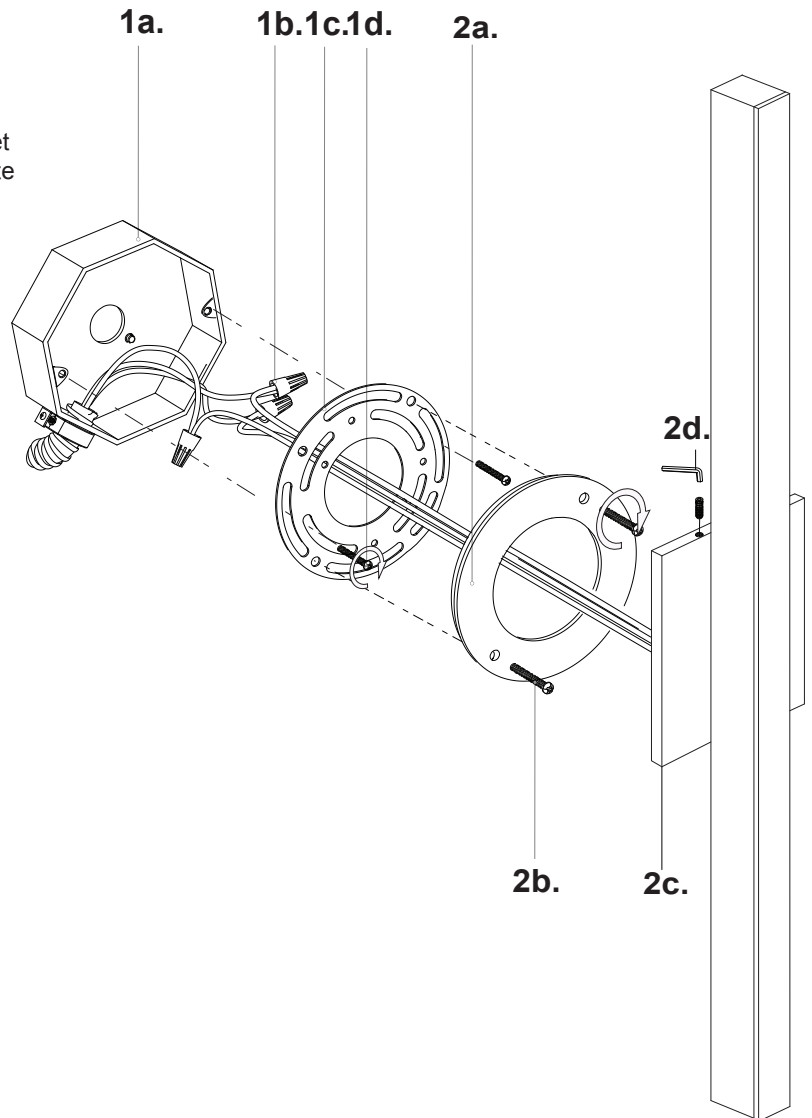
- Make sure power is completely off at the fuse box.
- Have your fixture installed by a qualified licensed electrician
- Prepare everything in a clear area.
- Wear gloves at all times during this installation.
- Read instructions carefully before you start assembly.
- Keep this instruction sheet for future reference.

**Technical Support:** 1-877-452-6858

### Please Note:

- All Kuzco LED fixtures come with pre-wired LED module(s).
- Unless instructed to do so, please do not touch any part of the LED module(s) as any unnecessary contact with the module could cause permanent damage.
- For dimming, an ELV (Electronic Low Voltage) type of dimmer is required.

- 1.** Remove the fixture from its original packaging. Remove the mounting plate **(1c)** and anchor plate **(2a)** from within the canopy **(2c)** by loosening the two set screws **(2d)**. Attach the mounting plate **(1c)** to the electrical junction box **(1a)**, using the two screws **(1d)** provided in the hardware package.
- 2.** Connect all wiring with the provided wirenuts **(1b)** (white to white "N", black to black "L", ground to ground "G"). Now connect the anchor plate **(2a)** to the mounting plate **(1c)** using the screws **(2b)** provided. Now push the canopy backplate **(2d)** onto the anchor plate **(2a)**. Using the two set screws **(2c)** thread the canopy backplate to the anchor plate turning clockwise until secure.
- 3.** You have now completed the installation of your fixture, please enjoy.



**KUZCO**  
LIGHTING

T: 604 538 7162 TF: 1-855 85 KUZCO F: 604 538 7196  
19054 28th Avenue Surrey, BC Canada V3z6M3  
W: kuzcolighting.com  
20170209