

LED Vanity Light

VL47337
INSTALLATION SHEET

START FROM HERE

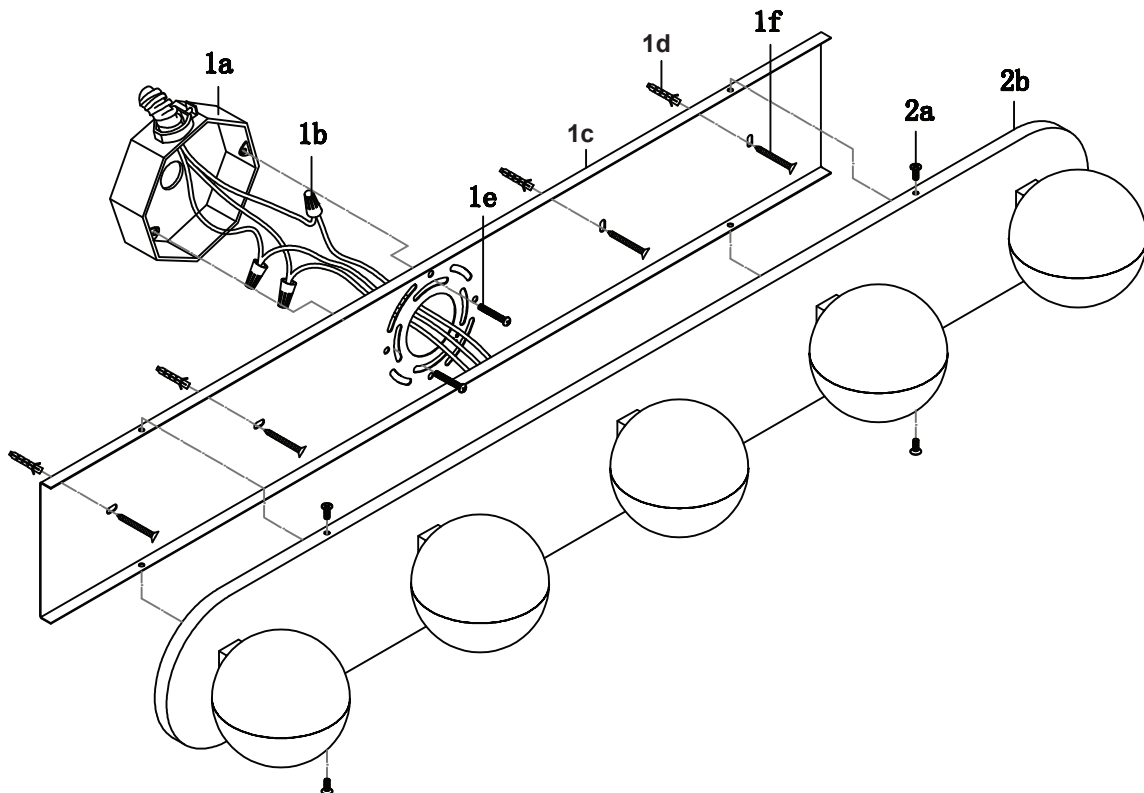
- Make sure power is completely off at the fuse box.
- Have your fixture installed by a qualified licensed electrician
- Prepare everything in a clear area.
- Wear gloves at all times during this installation.
- Read instructions carefully before you start assembly.
- Keep this instruction sheet for future reference.

Technical Support: 1-877-452-6858

Please Note:

- All Kuzco LED fixtures come with pre-wired LED module(s).
- Unless instructed to do so, please do not touch any part of the LED module(s) as any unnecessary contact with the module could cause permanent damage.
- For dimming, an ELV (Electronic Low Voltage) type of dimmer is required.

- 1.** Remove the fixture from its original packaging. Remove the mounting plate (**1c**) from the canopy(**2b**) by unscrew four screws (**2a**). Attach this mounting plate (**1c**) to the electrical junction box (**1a**), by using screws (**1e**) provided in the hardware package.
- 2.** Attach the canopy to the mounting plate, which is attached to the electrical junction box on the wall. First connect all wires correctly G ground to ground, N neutral wire (white to white), L live wire (black to black) with provided marrettes (**1b**) from the hardware package. For extra support, using the woodscrews (**1d & 1f**) to secure the mounting plate (**1c**). Now place the canopy (**2b**) onto the mounting plate (**1c**). As you move the backplate, align the top & bottom holes to the holes on the mounting plate (**1c**). Secure the canopy (**2b**) by using the screws (**2a**) provided.
- 3.** You have now completed the installation of your fixture, enjoy.



KUZCO
LIGHTING

19054 28th Avenue Surrey, BC Canada V3S 6M3
T: 604 538 7162 TF: 1-855 85 KUZCO F: 604 538 7196
W: kuzcolighting.com
20160527