

**DOWNEY**  
**SF15001**  
 SEMI FLUSH

PROJECT



SF15001-BK  
Black



SF15001-WH  
White

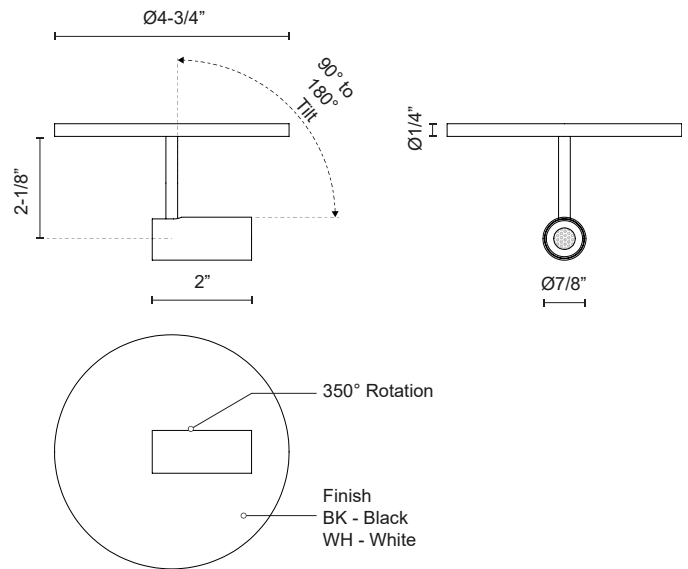
**SPECIFICATION DETAILS**

\* For custom options, consult factory for details.

<b>Fixture Dimensions</b>	D7/8" x H2"
<b>Light Source</b>	LED
<b>Wattage</b>	3W
<b>Total Lumens</b>	255lm
<b>Delivered Lumens</b>	178lm*
<b>Voltage</b>	120V
<b>Color Temperature</b>	3000K
<b>CRI (Ra)</b>	>90
<b>Optional Color Temps</b>	2700K - 5000K Available, Minimum Order Quantities Apply
<b>LED Rated Life</b>	50,000 hours
<b>Dimming</b>	100% - 10%, TRIAC or ELV Dimmer (Not Included)
<b>Diffuser Details</b>	Clear Acrylic TIR
<b>Location</b>	Dry
<b>Warranty</b>	5 Years
<b>Canopy Dimensions</b>	D4-3/4" x H1/4"

**DESCRIPTION**

Recessed within the minute barrel of the quintessential adjustable lamp is a spot light assembly applied across the X line. By utilizing slim AC LED boards the canopy scale is reduced to a fundamental trim plate and minimizes the visual footprint of the functional fixtures. Available in two petite cylindrical sizes and a single or multi-light configuration.



**KUZCO**

19054 28TH AVENUE  
 SURREY - BC V3Z 6M3  
 CANADA

WWW.KUZCOLIGHTING.COM

COMMENT

