

LED Pendant

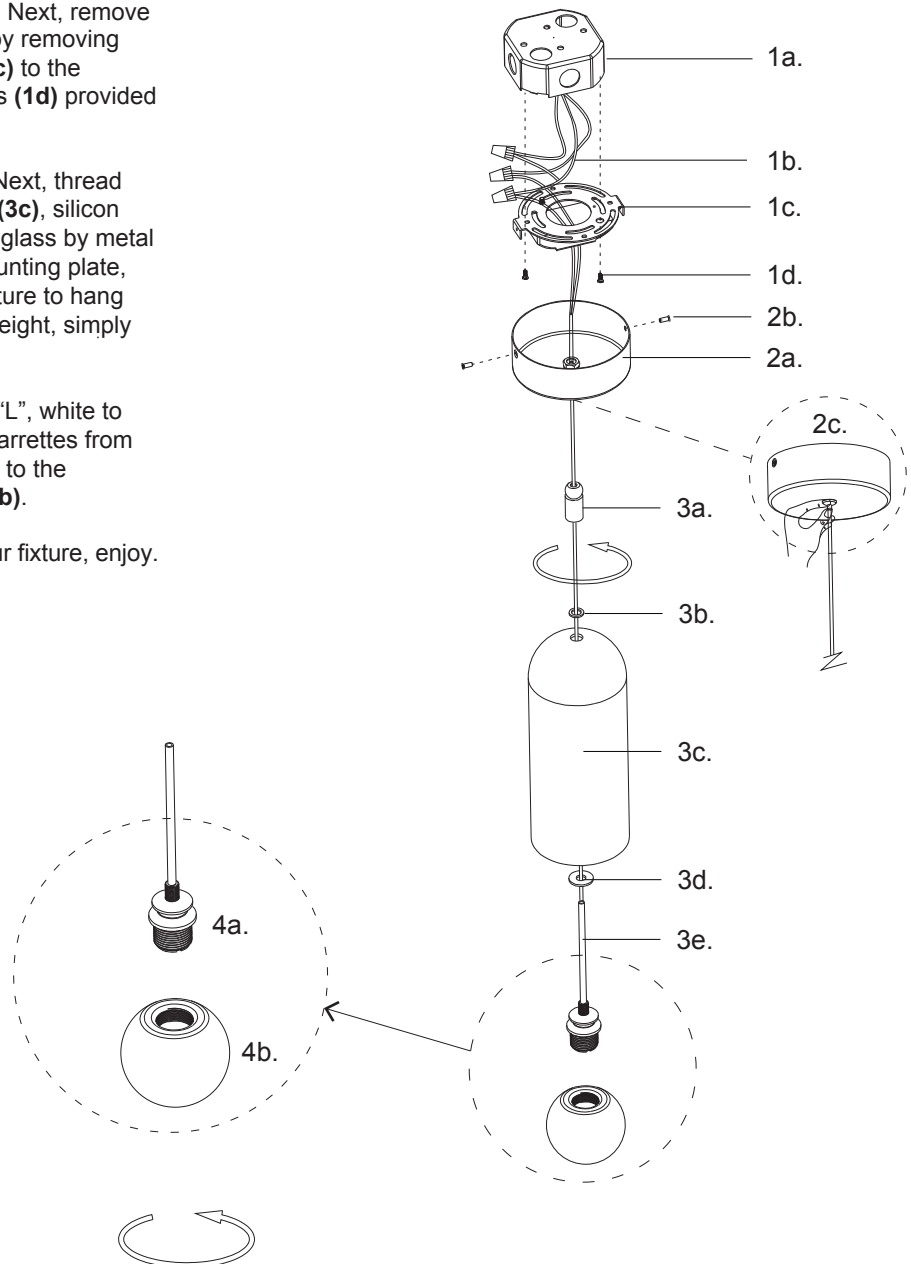
PD19804
INSTALLATION SHEET

START FROM HERE

- Make sure power is completely off at the fuse box.
- Have your fixture installed by a qualified licensed electrician
- Prepare everything in a clear area.
- Wear gloves at all times during this installation.
- Read instructions carefully before you start assembly.
- Keep this instruction sheet for future reference.

Technical Support: 1-855-855-8926

- 1.** Remove the fixture from its original packaging. Next, remove the mounting plate (1c) from the canopy (2a) by removing the screws (2b). Attach the mounting plate (1c) to the electrical junction box (1a) using the two screws (1d) provided in the hardware package.
- 2.** Install the glass (4b) to the LED module (4a). Next, thread the metal tube (3e) through silicon (3d), glass (3c), silicon (3b) to the nut (3a). [Caution: Do not tight the glass by metal too hard]. Before you mount canopy to the mounting plate, select the desired length you would like the fixture to hang down from the ceiling. To set fixture hanging height, simply push in the sleeve (2c) at the canopy.
- 3.** Connect all wires (1b) correctly black to black "L", white to white "N" and the ground wire with provided marrettes from the hardware package. Attach the canopy (2a) to the mounting plate (1c) and secure with screws (2b).
- 4.** You have now completed the installation of your fixture, enjoy.



KUZCO

19054 28th Avenue Surrey, BC Canada V3S 6M3
T: 604 538 7162 TF: 1-855 85 KUZCO F: 604 538 7196
W: kuzcolighting.com
20190104