

Ceiling LED Multi Pendant

MP47613
INSTALLATION SHEET

START FROM HERE

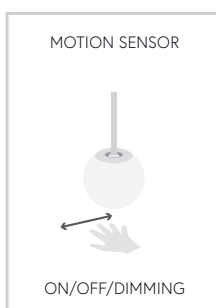
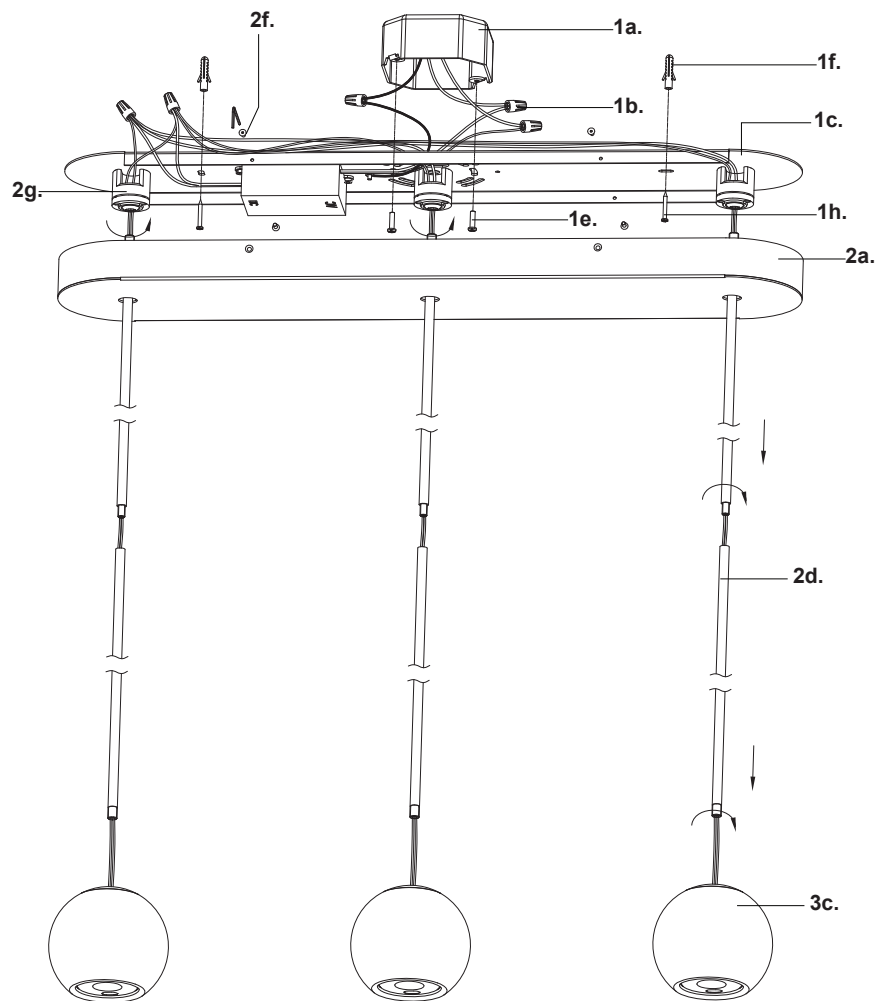
- Make sure **POWER** is **COMPLETELY OFF** at the fuse box
- Have your fixture installed by a qualified licensed electrician
- Prepare everything in a clear area
- Wear gloves at all times during this installation
- Read instructions carefully before you start assembly
- Keep this installation sheet for future reference

Technical Support: 1-855-855-8926

Please Note:

- This Kuzco LED fixture comes with pre-wired LED module(s)
- Unless instructed, Do Not touch any part of the LED module(s) as any unnecessary contact with the module could cause permanent damage
- Motion sensor: On/Off/Dimming

1. Remove fixture from its original package
2. Separate mounting plate (1c) from canopy (2a) by removing canopy screws with allan key (2f)
3. Attach mounting plate (1c) to electrical junction box (1a) using screws provided (1e) in hardware package
4. Secure rods (2d) together and attach to swivel assembly (2g) by turning. (Note: three rods are included in the package, but maximum installation are two rods)
5. Attach lamp head (3c) to rod (2d)
6. Secure mounting plate (1c) to mounting surface with anchors (1f) and screws (1h)
7. Make proper electrical connections (black to hot "L", white to neutral "N", ground to "GND") with wire nuts (1b) provided in hardware package
8. Align mounting plate (1c) to holes on canopy (2a), and then attach using canopy screw with allan key (2f)



KUZCO

19054 28th Avenue Surrey, BC Canada V3Z 6M3
T: 604 538 7162 TF: 1-855 85 KUZCO F: 604 538 7196
W: kuzcolighting.com
20200102