

# VEGA MINOR MP18203

## PENDANTS

PROJECT



MP18203-BK  
Black



MP18203-BN  
Brushed Nickel



MP18203-GD  
Gold



MP18203-WH  
White

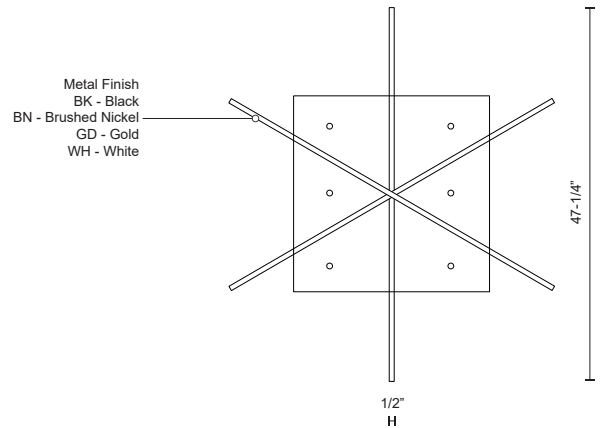
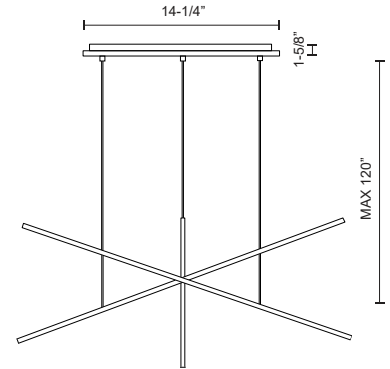
### SPECIFICATION DETAILS

\* For custom options, consult factory for details.

<b>Fixture Dimensions</b>	L47 1/4"x W47 1/4"x H1/2"
<b>Light Source</b>	LED
<b>Wattage</b>	70W
<b>Total Lumens</b>	6237lm
<b>Delivered Lumens</b>	BK-2069lm; BN-3477lm; GD-2851lm; WH-4117lm;
<b>Voltage</b>	120V
<b>Color Temperature</b>	3000K
<b>CRI (Ra)</b>	>90
<b>Optional Color Temps</b>	2700K - 5000K Available, Minimum Order Quantities Apply
<b>LED Rated Life</b>	50,000 hours
<b>Dimming</b>	100% - 10%, TRIAC or ELV Dimmer (Not Included)
<b>Diffuser Details</b>	White Acrylic Diffuser
<b>Adjustable</b>	Yes
<b>Wire Length</b>	120" Max
<b>Wire Type</b>	Color Matching Coaxial Wire
<b>Location</b>	Dry
<b>Warranty</b>	5 Years
<b>Canopy Dimensions</b>	L14-1/4"x W14-1/4"x H1-5/8"

### DESCRIPTION

Following the success of the Vega family is the next evolution of the line, Vega Minor. The diminutive square linear profile envelops and radiates a soft uniform light in a diverse spectrum of lengths and unique configurations. Refined details with crafted finishes augment the reductive silhouette of the expanded collection.



# KUZCO

19054 28TH AVENUE  
SURREY - BC V3Z 6M3  
CANADA

WWW.KUZCOLIGHTING.COM

COMMENT

