

**VEGA**  
**MP10303**  
PENDANTS

PROJECT



MP10303-BK  
Black



MP10303-BN  
Brushed Nickel



MP10303-GD  
Gold



MP10303-WH  
White

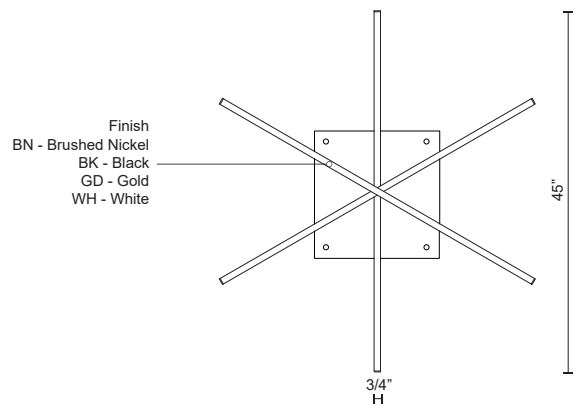
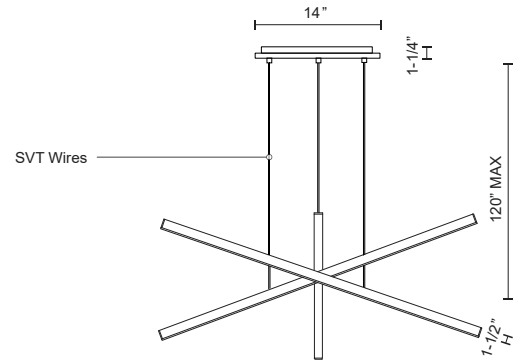
**SPECIFICATION DETAILS**

\* For custom options, consult factory for details.

<b>Fixture Dimensions</b>	L45" x H1-1/2"
<b>Light Source</b>	LED
<b>Wattage</b>	87W
<b>Total Lumens</b>	7200lm
<b>Delivered Lumens</b>	BK-3039lm; BN-4653lm; GD-4482lm; WH-5115lm;
<b>Voltage</b>	120V
<b>Color Temperature</b>	3000K
<b>CRI (Ra)</b>	>90
<b>Optional Color Temps</b>	2700K - 5000K Available, Minimum Order Quantities Apply
<b>LED Rated Life</b>	50,000 hours
<b>Dimming</b>	100% - 10%, ELV Dimmer (Not Included)
<b>Diffuser Details</b>	White Acrylic Diffuser
<b>Adjustable</b>	Yes
<b>Wire Length</b>	120" Max
<b>Wire Type</b>	Clear SSL Wire
<b>Location</b>	Dry
<b>Warranty</b>	5 Years
<b>Canopy Dimensions</b>	L14" x W14" x H1-1/4"

**DESCRIPTION**

The linear lights can be configured at different heights and angles to create distinct sculptural orientations. Ordered into clean parallels or jumbled in playful asymmetry, Vega can be customized to complement any space.



**KUZCO**

19054 28TH AVENUE  
SURREY - BC V3Z 6M3  
CANADA

WWW.KUZCOLIGHTING.COM

COMMENT

