

LED Linear Pendant

LP18260
INSTALLATION SHEET

START FROM HERE

- Make sure power is completely off at the fuse box.
- Have your fixture installed by a qualified licensed electrician
- Prepare everything in a clear area.
- Wear gloves at all times during this installation.
- Read instructions carefully before you start assembly.
- Keep this instruction sheet for future reference.

Technical Support: 1-855-855-8926

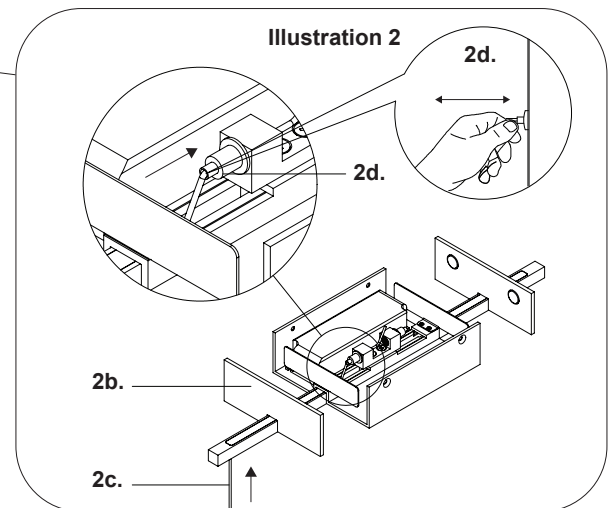
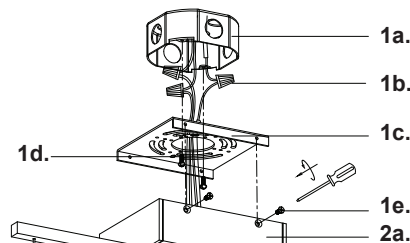
Please Note:

- All Kuzco LED fixture comes with pre-wired LED module(s).
- Unless instructed to do so, please do not touch any part of the LED module(s) as any unnecessary contact with the module could cause permanent damage.
- For dimming, an ELV (Electronic Low Voltage) or TRIAC type of dimmer is required.

1. Remove fixture from its original package
2. Separate mounting plate (1c) from canopy (2a) by removing canopy screws (1e) with screwdriver
3. Attach mounting plate (1c) to electrical junction box (1a) using screws provided (1d) in hardware package
4. Determine the desired mounting height of the pendant and adjust using the wire gripper inside the canopy (2a) as shown in **Illustration 2**
5. Make proper electrical connections (black to hot "L", white to neutral "N", ground to "GND") with wire nuts (1b) provided in hardware package
6. Attach canopy (2a) to mounting plate (1c) and secure with screws (1e)

Height Adjust (Illustration 2)

1. Remove Magnetic Cover Plates (2b)
2. To shorten/lengthen the suspension wire (2c), push/pull the suspension wire (2c) into the canopy. Ensure that the suspension wire (2c) is pushed/pulled on both ends (outside of the canopy (2a) and right before the wire gripper (2d)). There should now be slack suspension wire in front of the wire gripper (2d)
3. Release the wire gripper (2d) lock by pushing the wire gripper (2d) sleeve in. Then push all remaining slack wire through the wire gripper
4. Release the wire gripper (2d) sleeve to lock the suspension wire (2c) into place
5. Repeat for the other end of the pendant
6. Reattach Magnetic cover plates (2b)



KUZCO

19054 28th Avenue Surrey, BC Canada V3Z 6M3
T: 604 538 7162 TF: 1-855 85 KUZCO F: 604 538 7196
W: kuzcolighting.com
20200625