

Single Lamp LED Pendant

LP10345
INSTALLATION SHEET

START FROM HERE

- Make sure power is completely off at the fuse box.
- Have your fixture installed by a qualified licensed electrician
- Prepare everything in a clear area.
- Wear gloves at all times during this installation.
- Read instructions carefully before you start assembly.
- Keep this instruction sheet for future reference.

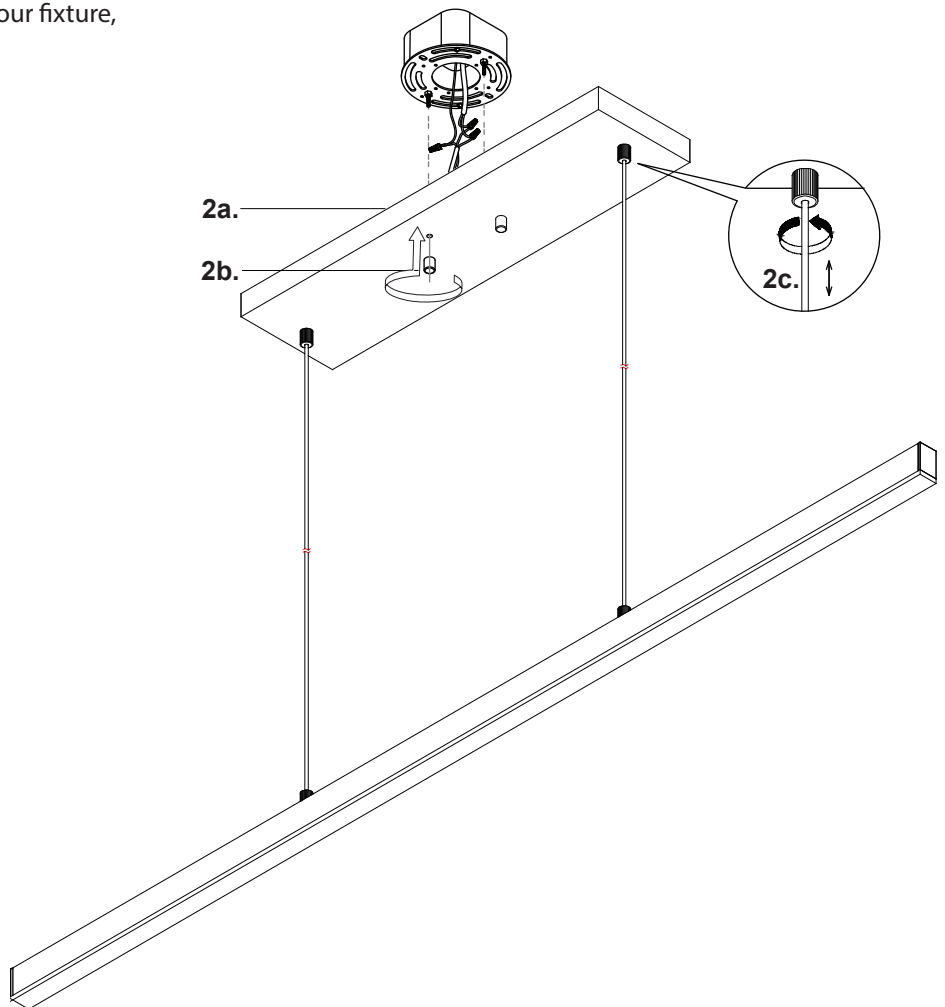
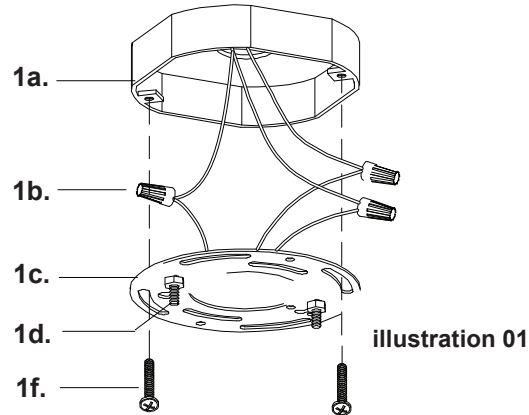
Technical Support: 1-877-452-6858

Please Note:

- All Kuzco LED fixtures come with pre-wired LED module(s).
- Unless instructed to do so, please do not touch any part of the LED module(s) as any unnecessary contact with the module could cause permanent damage.
- For dimming, an ELV (Electronic Low Voltage) type of dimmer is required.

CAUTION: HEAVEY FIXTURE, THE JUNCTION BOX NEEDS TO BE REINFORCED BEFORE INSTALLATION.

- 1.** Remove the fixture from it's original packaging. Remove the canopy mounting plate (1c) from within the canopy (2a) by removing the decorative nuts (2b). Secure the mount plate (1c) (with canopy screws facing downward) to the reinforced junction box (1a) with screws (1f) see illustration 01.
- 2.** Attach the fixture to the mounting plate, which is attached to the electrical junction box on the ceiling. First attach all wiring (1b) with the provided marrets (white to white "N", black to black "L", ground to ground "G"). If desired, adjust the cables to a maximum of 72 inches. Turn the nut (2c) counter clockwise to release and clockwise to secure. Once this is complete you can thread on the decorative nuts (2b) to the two threaded studs (1d) until the fixture is secured to the ceiling.
- 3.** You have now completed the installation of your fixture, enjoy.



KUZCO
LIGHTING

19054 28th Avenue Surrey, BC Canada V3Z 6M3
T: 604 538 7162 TF: 1-855 85 KUZCO F: 604 538 7196
W: kuzcolighting.com
20160904