

Round LED Flush Mount

FM1512
INSTALLATION SHEET

START FROM HERE

- Make sure power is completely off at the fuse box.
- Have your fixture installed by a qualified licensed electrician
- Prepare everything in a clear area.
- Wear gloves at all times during this installation.
- Read instructions carefully before you start assembly.
- Keep this instruction sheet for future reference.

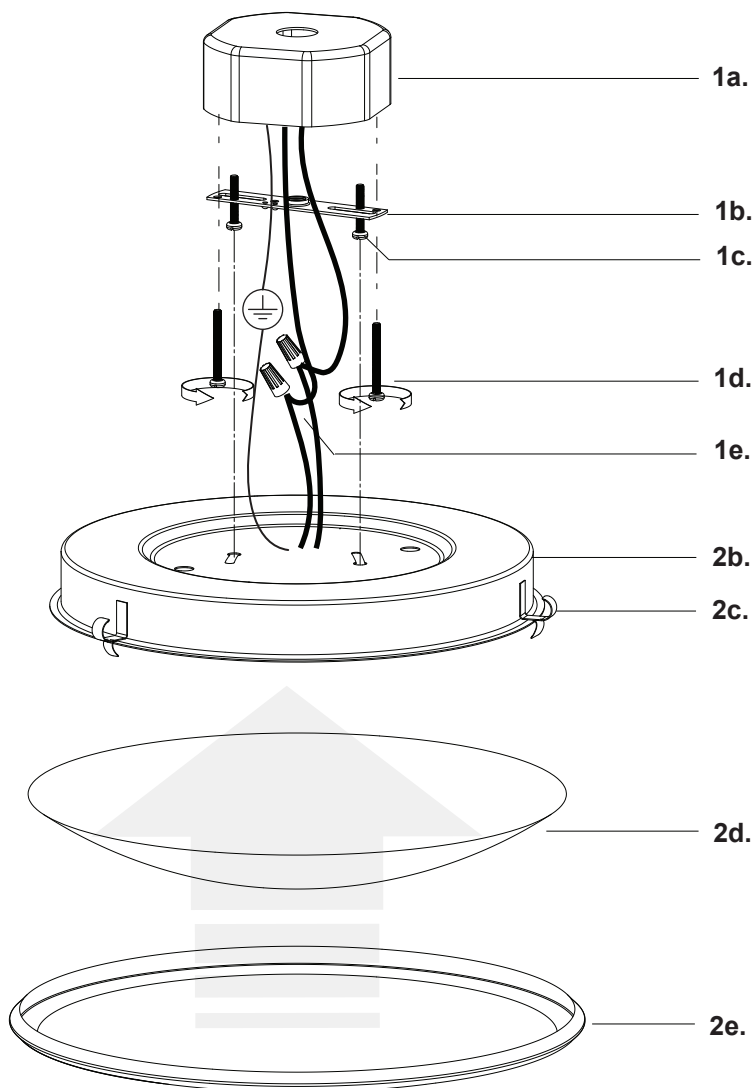
Technical Support: 1-877-452-6858

Please Note:

- All Kuzco LED fixtures come with pre-wired LED module(s).
- Unless instructed to do so, please do not touch any part of the LED module(s) as any unnecessary contact with the module could cause permanent damage.
- For dimming, an ELV (Electronic Low Voltage) type of dimmer is required.

CAUTION: HEAVY FIXTURE, THE JUNCTION BOX NEEDS TO BE REINFORCED BEFORE INSTALLATION.

1. Remove the fixture from its original packaging. Next, remove the canopy mounting plate (1b) from within the canopy (2b) from the packaging.
2. Connect all wires (1e) correctly black to black "L", white to white "N" and the ground wire with provided marrets from the hardware package. Secure the mounting plate (1b) to the junction box with screws (1c). Align the mounting plate screws (1c) with the holes on the surface of the canopy (2b) lift and turn clockwise. This will secure the canopy to the mounting plate.
3. Lastly, install the metal ring and glass to the fixture. Gently place the glass (2d) in the center of the canopy (2b) and lift up to the canopy clip (2c). Lightly pull back on the clips to allow convergence. Now lift your metal ring (2e) up to the canopy and apply minimal pressure to the clip until you hear a click this will provide a solid connection to the canopy. (Please be careful to not apply too much pressure as excessive pressure will cause the fixture glass to crack or break.)
4. You have now completed the installation of your fixture, enjoy.



KUZCO
LIGHTING

19054 28th Avenue Surrey, BC Canada V3S 6M3
T: 604 538 7162 TF: 1-855 85 KUZCO F: 604 538 7196
W: kuzcolighting.com
20170331