

### Flush Mount Led

Please Note:

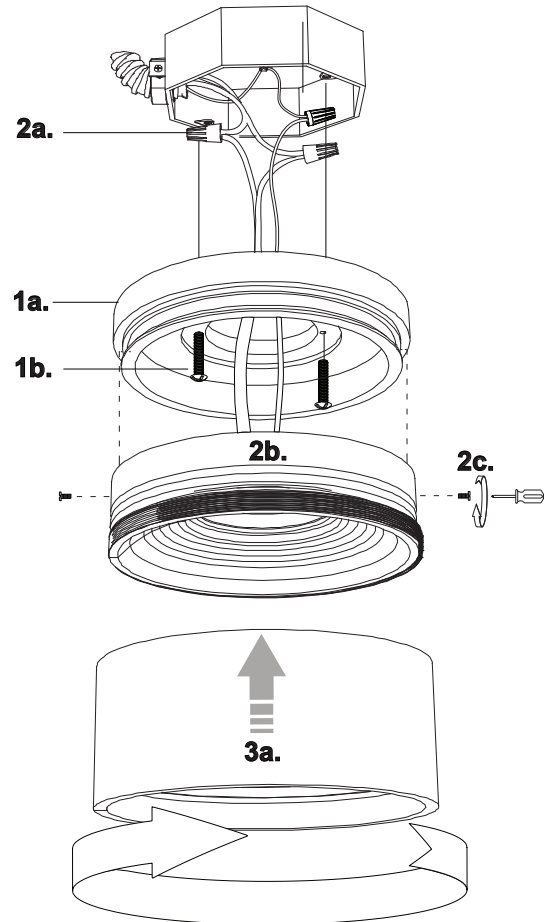
- All Kuzco LED fixtures come with pre-wired LED module(s).
- Unless instructed to do so, please do not touch any part of the LED module(s) as any unnecessary contact with the module could cause permanent damage.
- For dimming, an ELV (Electronic Low Voltage) dimmer is required.

#### START FROM HERE

- Make sure power is completely off at the fuse box.
- Have your fixture installed by a qualified licensed electrician
- Prepare everything in clear area.
- Wear gloves at all times during this installation.
- Read instructions carefully before you start assembly.
- Keep this instruction sheet for future reference.

**Technical Support:** 1-877-452-6858

- 1.** Remove the fixture from its original packaging and remove the mounting plate from within the hardware package. Now secure the mounting plate (**1a**) to the box using the two machine screws (**1b**).
- 2.** Attach all wiring (**2a**) with the provided marrets (white to white "N", black to black "L", ground to ground "G"). Next, attach the fixture (**2b**) to the mounting plate by threading the two set screws (**2c**) until the fixture is secured to the ceiling.
- 3.** The next step is to install the cup diffuser onto the fixture. With one hand, push the cup diffuser (**3a**) up against the underside of the fixture (**2b**) and thread clockwise. Caution, do not use excessive force.
- 4.** You have now completed the installation of your fixture, enjoy.



# KUZCO LIGHTING

19054 28th Avenue Surrey, BC Canada V3S 6M3  
T: 604 538 7162 TF: 1-855 85 KUZCO F: 604 538 7196  
W: kuzcolighting.com  
20151229