

LED Lamp Wall Sconce

EW9010
INSTALLATION SHEET

START FROM HERE

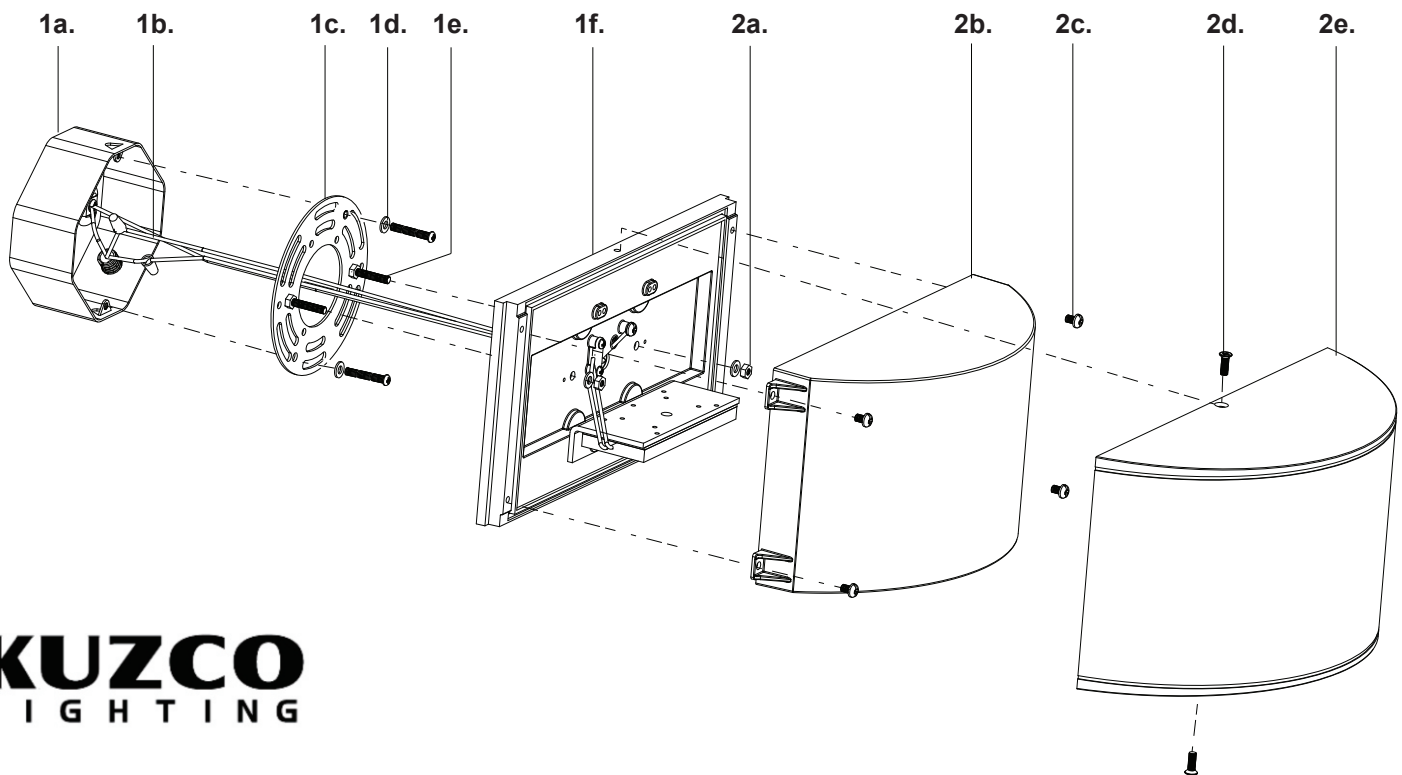
- Make sure power is completely off at the fuse box.
- Have your fixture installed by a qualified licensed electrician
- Prepare everything in a clear area.
- Wear gloves at all times during this installation.
- Read instructions carefully before you start assembly.
- Keep this instruction sheet for future reference.

Technical Support: 1-877-452-6858

Please Note:

- All Kuzco LED fixtures come with pre-wired LED module(s).
- Unless instructed to do so, please do not touch any part of the LED module(s) as any unnecessary contact with the module could cause permanent damage.
- For dimming, an ELV (Electronic Low Voltage) type of dimmer is required.

- 1.** Remove the fixture from its original packaging. Remove the mounting plate (**1c**) from within the canopy (**1f**) by removing the two nuts (**2a**). Pull out the mounting plate (**1c**) from within the canopy (**2b**) and attach it to the electrical junction box (**1a**), using the two screws (**1d**) provided in the hardware package.
- 2.** Attach all wiring with the provided marrets (**1b**) (white to white "N", black to black "L", ground to ground "G"). Align the canopy (**1f**) to the back plate screws (**1e**) and thread on the two nuts (**2a**) provided to secure.
- 3.** Next, secure the first diffuser (**2b**) to the canopy (**2a**) using the four screws (**2c**). Lastly, apply the second diffuser (**2e**) to the canopy threading screws (**2d**).
- 4.** You have now completed the installation of your fixture, do enjoy.



KUZCO
LIGHTING