

LED Step Light

ER9410

INSTALLATION SHEET

START FROM HERE

- Make sure power is completely off at the fuse box.
- Have your fixture installed by a qualified licensed electrician
- Prepare everything in a clear area.
- Wear gloves at all times during this installation.
- Read instructions carefully before you start assembly.
- Keep this instruction sheet for future reference.

Technical Support: 1-877-452-6858

Please Note:

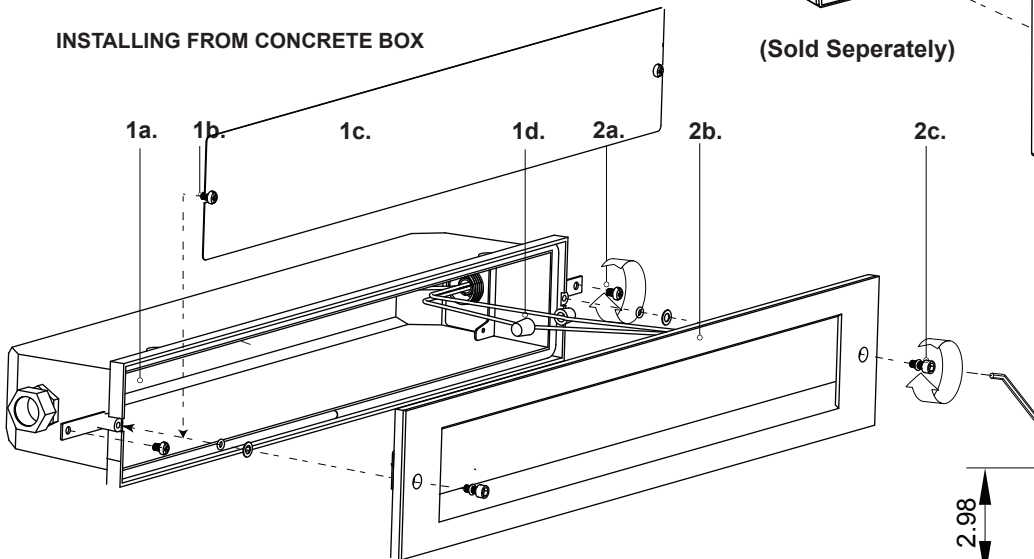
- All Kuzco LED fixtures come with pre-wired LED module(s).
- Unless instructed to do so, please do not touch any part of the LED module(s) as any unnecessary contact with the module could cause permanent damage.
- For dimming, an ELV (Electronic Low Voltage) type of dimmer is required.

INSTALLING FROM CONCRETE BOX

NOTE: the concrete box and metal box is sold separately, see our online store for a correct match.

1. Post form work remove the cover plate (1c) from the concrete box (1a) by removing screws (1b).
2. Attach the fixture (2b) to the concrete box (1a) on the wall. First, attach all wiring with the provided marettes (1d) (white to white "N", black to black "L", ground to ground "G"). You can now install the fixture (2b) onto the concrete box (1a) Thread the two screws (2c) (right and left) down onto the concrete box (1a) using the allen key provided in the hardware package.
3. You have now completed the installation of your fixture, enjoy.

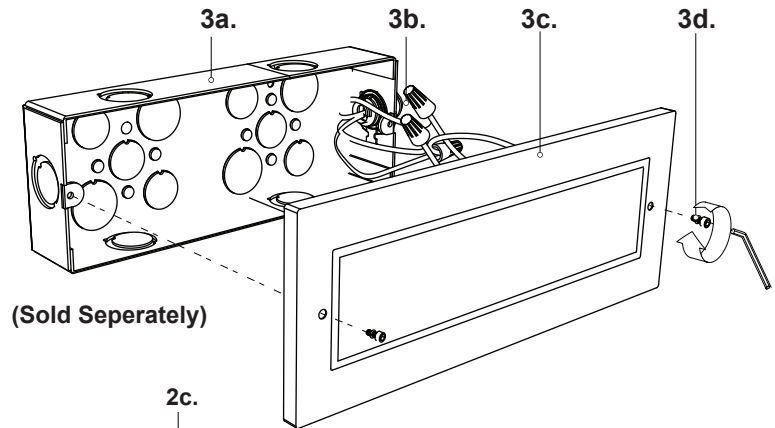
INSTALLING FROM CONCRETE BOX



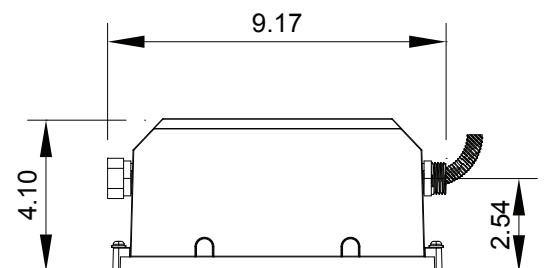
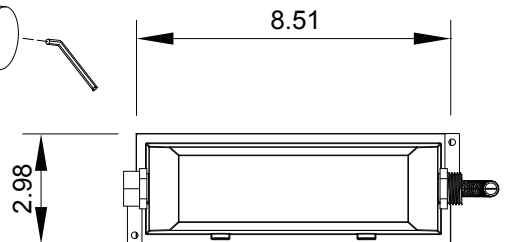
(Sold Separately)

INSTALLING FROM STUD WALLS

1. With the switch box secured to the wall connect the fixture (3c). First, attach all wiring with the provided marettes (3b) (white to white "N", black to black "L", ground to ground "G"). You can now install the fixture (3c) onto the switch box (3a) Thread the two screws (3d) (right and left) down onto the switch box (1a) using the allen key provided in the hardware package.



(Sold Separately)



KUZCO LIGHTING

T: 604 538 7162 TF: 1-855 85 KUZCO F: 604 538 7196
19054 28th Avenue Surrey, BC Canada V3Z 6M3
W: kuzcolighting.com
20170209