

LED Exterior Pendants

EP48224

INSTALLATION SHEET

START FROM HERE

- Make sure power is completely off at the fuse box.
- Have your fixture installed by a qualified licensed electrician
- Prepare everything in a clear area.
- Wear gloves at all times during this installation.
- Read instructions carefully before you start assembly.
- Keep this instruction sheet for future reference.

Technical Support: 1-877-452-6858

Please Note:

- All Kuzco LED fixtures come with pre-wired LED module(s).
- Unless instructed to do so, please do not touch any part of the LED module(s) as any unnecessary contact with the module could cause permanent damage.
- For dimming, an ELV (Electronic Low Voltage) type of dimmer is required.

- 1.** Remove the fixture from its original packaging. Remove the mounting plate (1c) from within the canopy (2a) by removing the decorative nuts (2b). Secure the mounting plate (1c) to the junction box (1a) with the screws (1e) provided in the hardware package.
- 2.** Attach the rods (2c) to the pendant (3a) by threading in clockwise until it is secured. Connect the rods and pendant to the canopy by threading clockwise. (If the input wires from the driver are too long, please cut accordingly as an option). Connect the live (black) and neutral (white) wires onto the DC Driver (See Illustration 2). Connect all the glass (3b) to the pendant (3a) by threading in clockwise. (Do not over tighten.)
- 3.** You are now ready to mount the canopy (2a) to the mounting plate (1c). First connect all wires correctly G ground to ground, N neutral wire (white to white), L live wire (black to black) with provided marettes (1b) from the hardware package. Align the holes in the canopy (2a) to the threaded screws (1d) hanging downward from the mounting plate (1c). Push the canopy (2a) up towards the ceiling so the two screws (1d) clears through the hole in the canopy (2a). You can now screw on the decorative nuts (2b) onto the threaded studs.
- 4.** To prevent moisture from entering the outlet box and causing a short, seal around the top perimeter between the fixture and the surface with weather resistant caulking (See Illustration 1).
- 5.** You have now completed the installation of your fixture, enjoy.

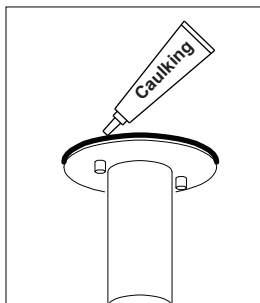
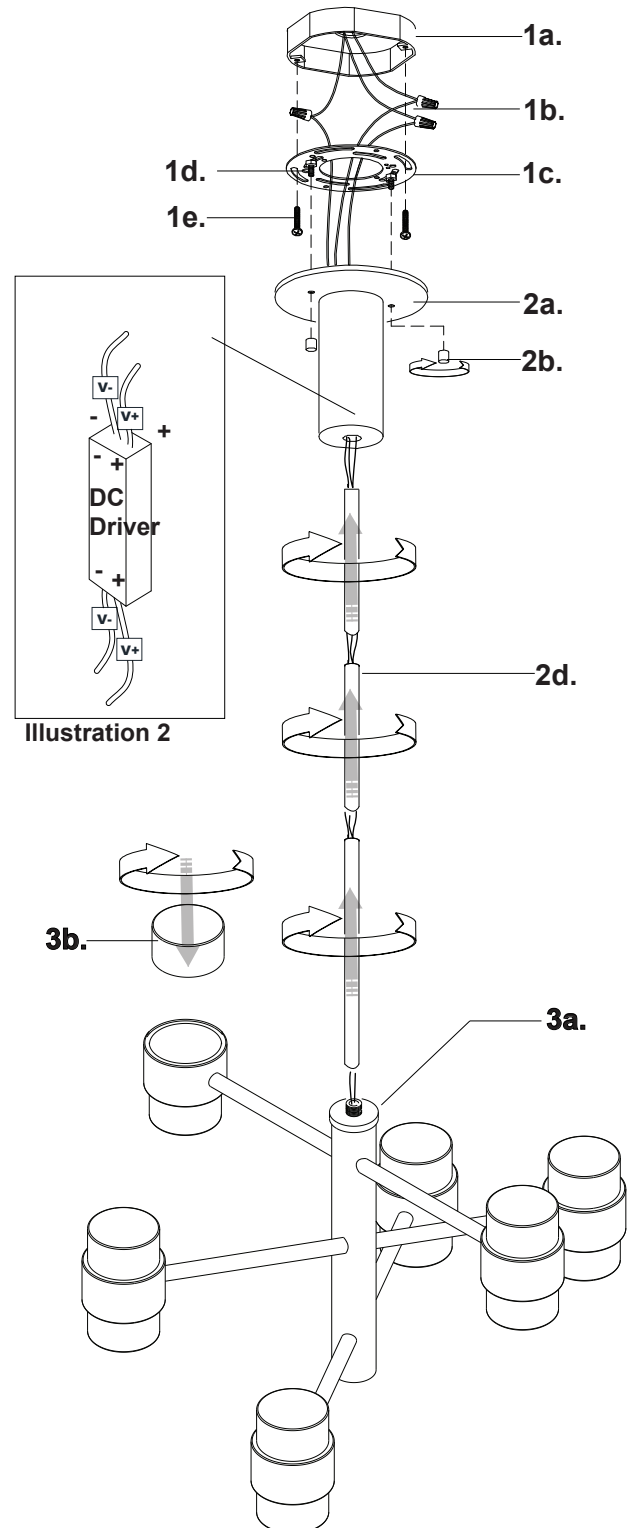


Illustration 1

KUZCO LIGHTING

19054 28th Avenue Surrey, BC Canada V3S 6M3
T: 604 538 7162 TF: 1-855 85 KUZCO F: 604 538 7196
W: kuzcolighting.com
20160414