

# Ceiling Canopy LED

# CNP04AC

INSTALLATION SHEET

## START FROM HERE

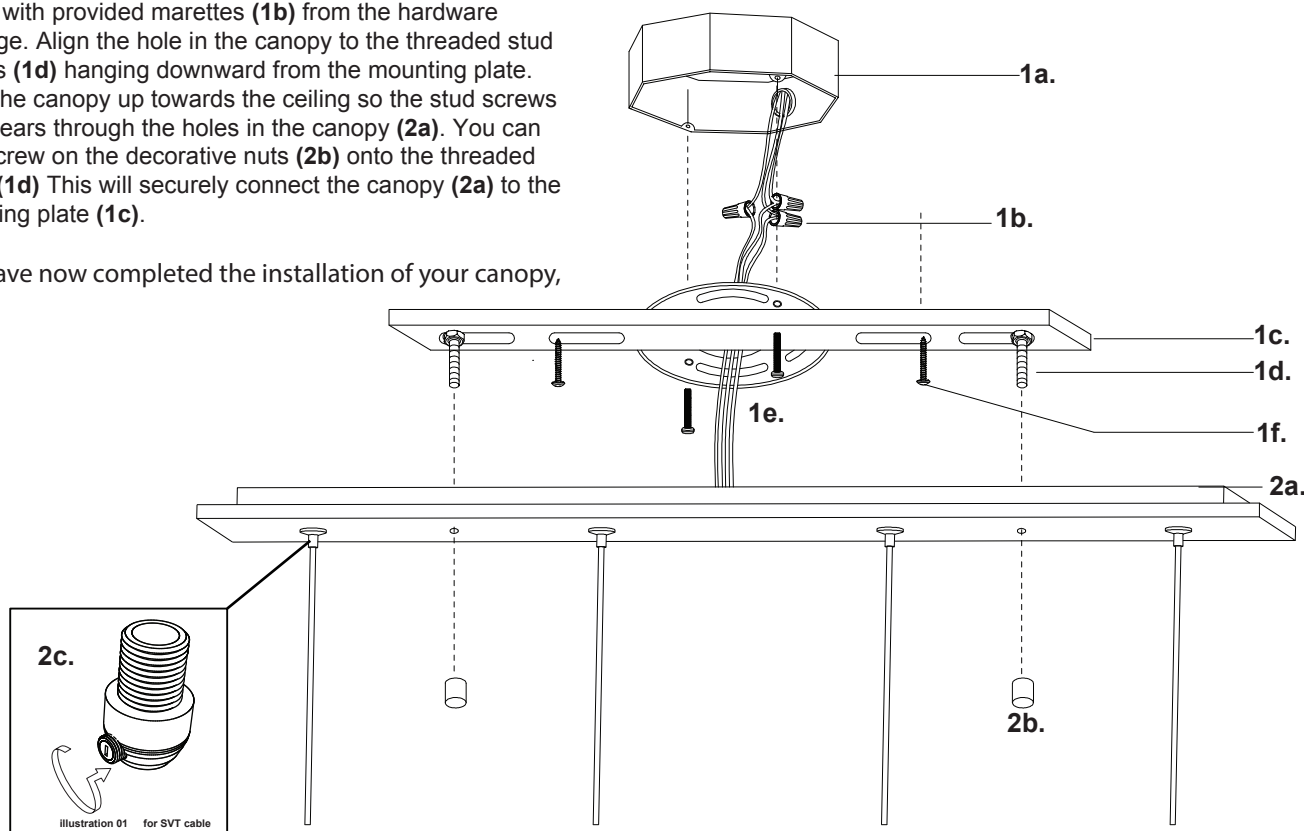
- Make sure power is completely off at the fuse box.
- Have your fixture installed by a qualified licensed electrician
- Prepare everything in a clear area.
- Wear gloves at all times during this installation.
- Read instructions carefully before you start assembly.
- Keep this instruction sheet for future reference.

Technical Support: 1-877-452-6858

## Please Note:

- All Kuzco LED fixtures come with pre-wired LED module(s).
- Unless instructed to do so, please do not touch any part of the LED module(s) as any unnecessary contact with the module could cause permanent damage.
- For dimming, an ELV (Electronic Low Voltage) type of dimmer is required.

- 1.** Remove the canopy from it's original packaging. Remove the mounting plate (1c) from within the canopy (2a) by removing the decorative nuts (2b). Attach the mounting plate to the electrical junction box using the screws (1e) provided in the hardware package. Make sure to reinforce the wood behind the drywall and use the woodscrews and plastic anchors (1f) for extra support.
- 2.** Before you mount the canopy to the mounting plate select the desired length you wish the pendant to hang. Loosen the screws in each canopy nipple (2c) and push/pull the cable. Tighten the screw back to secure the cable in place
- 3.** You are now ready to mount the canopy (2a) to the mounting plate (1c). First connect all wires correctly G ground to ground, N neutral wire (white to white), L live wire (black to black) with provided marettes (1b) from the hardware package. Align the hole in the canopy to the threaded stud screws (1d) hanging downward from the mounting plate. Push the canopy up towards the ceiling so the stud screws (1d) clears through the holes in the canopy (2a). You can now screw on the decorative nuts (2b) onto the threaded studs (1d) This will securely connect the canopy (2a) to the mounting plate (1c).
- 4.** You have now completed the installation of your canopy, enjoy.



# KUZCO LIGHTING

19054 28th Avenue Surrey, BC Canada V3S 6M3  
T: 604 538 7162 TF: 1-855 85 KUZCO F: 604 538 7196  
W: kuzcolighting.com  
20170621